

FOR EVERYTHING IN ELECTRONICS Wireless World

JULY 1983

80p

Design competition - 5th month



Full-duplex modem New radio services

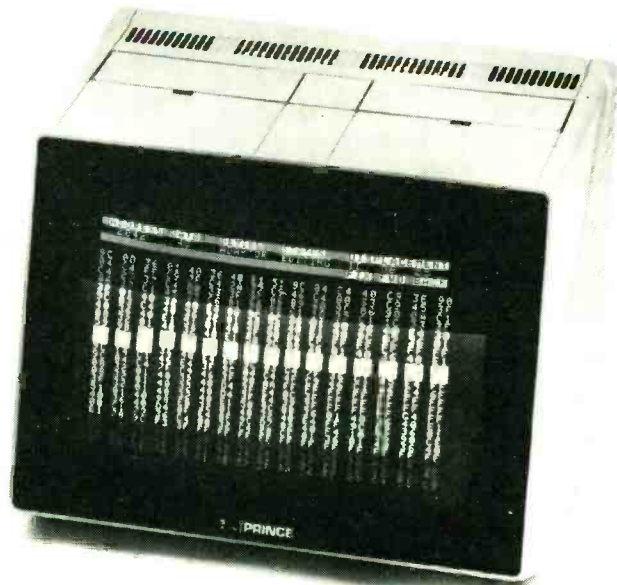
GEOFF HARROLD 83

- | | |
|-------------|-------------|
| USA | \$3.75 |
| Canada | \$4.25 |
| Denmark | DKR 33.25 |
| Germany | DM 7.00 |
| Greece | DR 150.00 |
| Holland | fl. 8.50 |
| Italy | Lit 37.00 |
| New Zealand | NZ\$ 3.00 |
| Norway | NOK 26.00 |
| Singapore | S\$ 5.50 |
| Spain | PT\$ 276.00 |
| Switzerland | FR 7.00 |
| UK | £ 3.75 |

EP8000

EPROM EMULATOR PROGRAMMER

**NEW
PRODUCT**



The new microprocessor controlled EP8000 Emulator Programmer will program and emulate all EPROMs up to 8k x 8 sizes, and can be extended to program other devices such as 16k x 8 EPROMs, Bipolar PROMs, single chip microprocessors with external modules.

Personality cards and hardware changes are not required as the machine configures itself for the different devices.

The EP4000 with 4k x 8 static RAM is still available with EPROM programming and emulation capacity up to 4k x 8 sizes.

● EP8000 8k x 8 Emulator Programmer – £695 + £12 delivery ● BSC8 Buffered emulation cable – £49 ● SA27128 Programming adaptor – £69 ● SA25128 Programming adaptor – £69 ● EP4000 4k x 8 Emulator Programmer – £545 + £12 de-

FEATURES

- Software personality programming/emulation of all EPROMs up to 8k x 8 bytes including 2704, 2708, 2716(3), 2508, 2758A, 2758B, 2516, 2716, 2532, 2732, 2732A, 68732-0, 68732-1, 68766, 68764, 2564, 2764. Programs 25128, 27128 with adaptors.
- No personality cards/characterisers required.
- Use as stand alone programmer, slave programmer, or EPROM development system.
- Checks for misplaced and reversed insertion, and shorts on data lines.
- Memory mapped video output allows full use of powerful editing facilities.
- Built-in LED display for field use.
- Powerful editing facilities include: Block/Byte move, insert, delete, match, highlight, etc.
- Comprehensive input/output – RS232C serial port, parallel port, cassette, printer O/P, DMA.
- Extra 1k x 8 scratchpad RAM for block moving.

livery ● BSC4 Buffered emulation cable – £39 ● BP4 (TEXAS) Bipolar PROM Module – £190 ● Prinz video monitor – £99 ● UV141 EPROM Eraser with timer – £78 ● GP100A 80 column printer – £225 ● GR1 Centronics interface – £65

VAT should be added to all prices

DISTRIBUTORS REQUIRED

EXPORT ENQUIRIES WELCOME

GP Industrial Electronics Ltd.

Tel: Plymouth (0752) 332961
Telex: 42513

Unit E, Huxley Close, Newnham Industrial Estate, Plymouth PL7 4JN

WW – 028 FOR FURTHER DETAILS



Rather than try to show how electronics could help disabled people this month's cover by Geoff Harrold depicts the things you might choose to surround yourself with in entering our design competition.

NEXT MONTH

Compact electronic typewriter can be equipped with an RS232 interface to enable it to be used as a printer for computer output at a total cost for both typewriter and interface of just over half that of the lowest price commercial alternatives.

Loudspeaker measurement techniques designed to avoid the vagaries of personal prejudice and room acoustics normally require a calibrated microphone. But using the principle of reciprocity Peter Dobbins shows how three transducers can be calibrated with no specialized equipment.

Simple ultrasonic transmitters and receivers with appropriate control by 6502 or Z80 can give a robot distance-measuring capability, even in a noisy environment.

Current issue price 80p, back issues (if available) £1, at Retail and Trade Counter, Units 1 & 2, Bankside Industrial Centre, Hopton Street, London SE1. Available on microfilm; please contact editor.

By post, current issue £1.23, back issues (if available) £1.80, order and payments to EEP General Sales Dept., Quadrant House, The Quadrant, Sutton, Surrey SM2 5AS Tel: 01-661 8668.

Editorial & Advertising offices: Quadrant House, The Quadrant, Sutton, Surrey SM2 5AS.

Telephones: Editorial 01-661 3614. Advertising 01-661 3130. See leader page.

Telex: 892084 BISPRS G.

Subscription rates: 1 year £14 UK and £17 outside UK.

Student rates: 1 year £9.35 UK and £11.70 outside UK.

Distribution: Quadrant House, The Quadrant, Sutton, Surrey SM2 5AS. Telephone 01-661 3248.

Subscriptions: Oakfield House, Perry-mount Road, Haywards Heath, Sussex RH16 3DH. Telephone: 0444 459188. Please notify a change of address.

USA: \$44 surface mail, \$93.80 airmail. Business Press International, Subscriptions Office, 205 E.42nd Street, NY 10017.

USA mailing agents: Expeditors of the Printed Word Ltd, 527 Madison Avenue, Suite 1217, New York, NY 10022. 2nd class postage paid at New York.

© Business Press International Ltd 1983
ISSN 0043 6062.

FOR EVERYTHING IN ELECTRONICS Wireless World

JULY 1983

VOL 89 NO 1570

- | | |
|-----------|---|
| 21 | DESIGN COMPETITION
Last chance to enter |
| 22 | COMMUNICATIONS COMMENTARY
Spectrum battles World tv Black broadcasting |
| 24 | PLANNING FOR PLENTY
by N. McLeod |
| 28 | MIXED LOGIC
by M. B. Butler |
| 33 | 300BAUD FULL-DUPLEX MODEM
by D. Richards |
| 36 | NEWS OF THE MONTH
934MHz moves Digital VCR 4Mbyte microfloppy disc |
| 39 | ORGAN INTERFACE FOR MICROCOMPUTER
by D. R. Easson |
| 42 | DIGITAL FILTER DESIGN PROCEDURE
by J. T. R. Sylvester Bradley |
| 45 | CHECKING OP-AMPS
by B. L. Hart |
| 46 | RESISTANCE MEASURING UNIT
by W. J. Hornsby |
| 48 | BOOKS
Satellite tv reception Amateur tv |
| 49 | LETTERS TO THE EDITOR
Gate symbols Electromagnetic Doppler Design competition |
| 53 | EVENTS
Conferences Courses Exhibitions |
| 54 | ASPECTS OF AUDIO AMPLIFIER DESIGN
by Y. Miloslavsky |
| 57 | LITERATURE RECEIVED
Application notes and equipment data |
| 58 | FORTH COMPUTER — DISC INTERFACING
by B. Woodroffe |
| 62 | CIRCUIT IDEAS
16bit Z80 Non-linear adc C-mbs ram back-up |
| 65 | THEVENIN-NORTON TRANSIENT THEOREM
by H. E. Stockman |
| 66 | CRAFT AND TECHNOLOGY
by K. L. Smith |
| 68 | SINGLE CHIP PRINTER CONTROLLER
by S. J. Pardoe |
| 70 | FREQUENCY CONTROL OF TURNTABLE MOTORS
by P. A. Stockwell |
| 72 | NEW PRODUCTS
Computing 'scope Tuneable low-pass filter Games joystick |
| 74 | RANDOM ECHOES |

Philips

Fluke

Think of

And then buy from us! Electronic Brokers, a leading supplier of Electronic Test and Measuring Equipment, has been established for over sixteen years. Our Distribution Division handles the major names in the industry: Philips, Fluke, Hameg and I.C.E. These products are stocked in depth at our premises in Central London, ready for

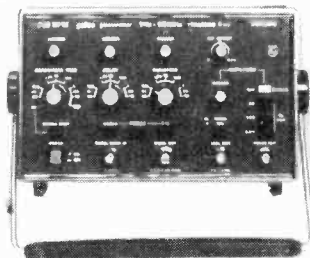
PHILIPS

Philips Electronic Test & Measuring Equipment



Philips PM6667-01 Counter
High resolution, 7 digit LCD display, computing counter ranging from 10Hz to 120MHz. Auto triggering on all waveforms and duty cycles. Self diagnosis routine and 15mV RMS sensitivity. PM6668-01 (£425) covers 10Hz to 1GHz and the PM6668-02 (£551) has a high stability TXCO. **£290**

Philips PM5712 Pulse Generator ▶
Small light weight, compact and portable unit suitable for laboratory use. Range 1Hz to 50MHz. Three pulse modes plus normal or inverted selection. Repetition, delay, duration and amplitude selectable. TTL compatible. Extensive facilities for external triggering and synchronous gating. **£846**

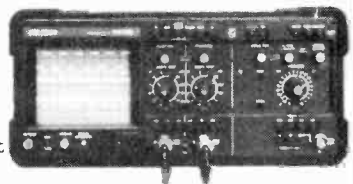


▶ **Philips PM2521 DMC**
Multi-function test bench DMM for lab and workshop use. DC accuracy 0.03%, with resolution to 10µV, 1nA and 10mΩ on a 4½ digit LCD display. Auto ranging, true RMS, relative reference, dB, frequency and time measurements. Optional accessories extend the measurement capabilities. **£338**



Philips PM3254 75MHz Oscilloscope ▶
Performance packed scope that you can carry into tough service environments. Fast trigger circuits meet all applications to over 100MHz. TTL triggering is standard. A trigger view 3rd channel and full X-Y display facilities. Tough light weight compact package with shoulder strap. **£1092**

◀ **Philips PM3217 50MHz Oscilloscope**
High 2mV sensitivity, dual trace, 8 x 10cm. display with small spot size, high light output and illuminated graticule, auto trigger mode, TV triggering on line and frame. Full X-Y display facilities. Comprehensive second time base facility. Compact dimensions and low weight. **£933**



◀ **Philips PM5131 Function Generator**
High performance, 0.1Hz to 2MHz generator with sine, triangular and square waveforms. Stepped and variable output attenuation. Vernier frequency adjustment. Variable DC offset. Internal and external sweep facilities. TTL output. Ideal for educational, service and general purpose laboratory use. **£395**



PM5501 Pattern Generator — 5 different PAL patterns for colour and black/white TV **£296**
PM5519 I Pattern Generator — 20 combination PAL patterns, electronic tuning **£785**
PM5705 Pulse Generator, 0.1Hz — 10MHz, 10nS, general purpose **£508**

Full Product range:-
PM2517X DMM — portable 4 digit, autoranging **£172**
PM3207 Oscilloscope, 15MHz, 5mV/div., dual trace with TV triggering **£385**
PM3215 Oscilloscope, 50MHz, 2mV/div. General purpose **£754**
PM3219 Oscilloscope, 50MHz, 2mV/div., dual trace, storage, delayed sweep, alternate time base **£2675**

PM3256 Oscilloscope — as PM3254, plus delayed sweep and alternate time base **£1196**
PM5107 Function Generator — sine, square, wave, low distortion 10Hz — 100kHz **£295**
PM5132 Function Generator — as PM5131, plus pos. and neg. pulses, adjustable duty cycle **£595**

Supporting accessories available

Electronic Br

Hameg

ICE

us first.

prompt despatch to all parts of the Country. Electronic Brokers offer full technical support and expert advice on all aspects of electronic test and measuring. Visitors are welcome to our showrooms where all products are on display and demonstration. For customers wishing to order by phone, we offer a 24 hour answering service.

HAMEG

HAMEG Oscilloscopes



Hameg HM705 70MHz Oscilloscope

General purpose scope with a multitude of operating modes and trigger facilities. Extremely bright and well defined display, with 8 x 10cm screen and internal illuminated graticule. TV triggering, Z modulation, X-Y display facilities and sweep delay mode. Dual trace. **£588**

Hameg HM204 20MHz Oscilloscope

High performance scope with peak value triggering up to 50MHz. Versatile triggering facilities and variable hold off control. Dual trace, delayed sweep mode, Z modulation, X-Y operation, internal illuminated graticule and component tester complete the attractive specification. **£365**

Hameg HM203-4 20MHz Oscilloscope

Designed for general purpose applications in industry and education. Versatile triggering performance to at least 40MHz. Dual trace, X-Y operation, TV triggering, add and invert mode and component tester make the price/performance ratio of this scope most attractive. **£264**

HM103 Single trace 10MHz 2mV/cm component tester **£158**

HM203-4N With long persistence CRT **£289**

HM204-N With long persistence CRT **£390**

HM705-N With long persistence CRT **£628**

Supporting accessories available

ICE

ICE Analogue Handheld Multimeters

I.C.E. 680G Analogue Multimeter

Wide range of measurement capabilities with high sensitivity (20K Ω /V) and high accuracy (DC 1% f.s.d.) Mirror scale, protected



meter movement and fully screened against magnetic fields. Large range of accessories **£25.00**

Microtest 80

40 ranges, accuracy DC 2%, 20K Ω /V **£19.00**

Supertester 680R

80 ranges, accuracy DC 1%, 20K Ω /V **£32.00**

FLUKE

FLUKE Handheld and Bench/Portable DMM's



Fluke 8060A Handheld DMM

Versatile DMM with 4 1/2 digit LCD display and impressive specification. Ten functions including conductance, frequency, dB, true RMS and relative reference mode. Audible continuity and comprehensive accessories extend the capabilities. **£295**

Fluke 8026B Handheld DMM

The new addition to the Fluke range. A 3 1/2 digit LCD meter with true RMS capability. Eight functions including conductance and high speed audible continuity. 2 year warranty applies to this rugged general purpose meter. **£180**

Fluke 8050A Bench/portable DMM

Unique functions and fine performance from this 4 1/2 digit LCD micro processor-based DMM. Nine functions include dB, conductance, true RMS and relative reference mode. Selectable impedance references. Comprehensive accessories and Ni/Cd battery option. **£315**

Fluke 8010A Bench/portable DMM

Exceptional performance and features from this low cost 3 1/2 digit LCD DMM. Seven functions including conductance, diode test, 10 Amp current range and true RMS capability. Extended measurements with optional accessories. Ni/Cd battery option available. **£210**



Full Supporting accessories available

8022B 3 1/2 digit handheld DMM **£99**
 8021B 3 1/2 digit handheld DMM, with audio continuity **£120**
 8020B 3 1/2 digit handheld DMM, with conductance ranges **£150**

8024B 3 1/2 digit handheld DMM, with enhanced functions **£190**
 8010A-01 Rechargeable Ni-Cd battery option **£240**
 8012A 3 1/2 digit bench/portable, low ohm, version (mains pwr) **£280**

8012A-01 Rechargeable Ni-Cd battery option **£310**
 8050A-01 Rechargeable Ni-Cd battery option **£345**
 8062A 4 1/2 digit handheld DMM **£230**

Electronic Brokers

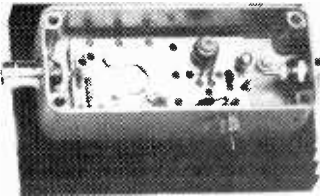
WW - 200 FOR FURTHER DETAILS

Electronic Brokers Ltd.,
 61/65 Kings Cross Road,
 London WC1X 9LN.
 Tel: 01-833 1166
 Telex 298694

TO: Electronic Brokers Ltd., 61/65 Kings Cross Road, London WC1X 9LN
 Please send me your full colour catalogue
 Name _____
 Company _____
 Address _____
 Position _____
 Tel. No. _____
 Post Code _____
 WW7/83

RF LINEAR POWER AMPLIFIERS

LOW NOISE GASFET PREAMPLIFIERS

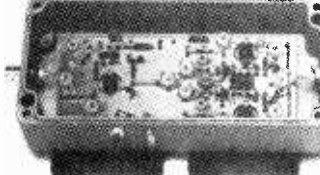


TYPE 9045

VMOS WIDEBAND LINEAR POWER AMPLIFIERS

4 watts and 20 watts max. RF output. Without tuning. Power gain 10 dB

TYPE 9045 10 KHz.-100 MHz. 4 watts	£49.50 + £2.50 p&p
TYPE 9050 20 MHz.-200 MHz. 4 watts	£49.50 + £2.50 p&p
TYPE 9066 10 KHz.-100MHz. 20 watts	£120 + £5 p&p
TYPE 9064 As above with integral mains power supply unit	£180 + £10 p&p
TYPE 9067 20 MHz.-200 MHz. 20 watts	£120 + £5 p&p
TYPE 9065 As above with integral mains power supply unit	£180 + £10 p&p

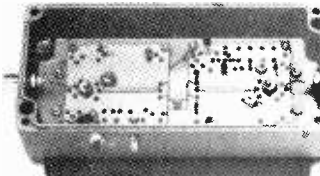


TYPE 9052

TELEVISION LINEAR POWER AMPLIFIERS

Bands IV or V. Channel group 'A' 21-34, 'B' 39-51, or 'CD' 48-68.

TYPE 9061 150 mV. input, 10 mW. output. Adjustable gain	£120 + £5 p&p
TYPE 9052 10 mW. input, 500 mW. output. Adjustable gain	£120 + £5 p&p
TYPE 9059 500 mW. input, 5 watts output	£150 + £5 p&p



TYPE 9054

VMOS LINEAR POWER AMPLIFIERS

Tuned to your specified frequency in the range 1-250 MHz.

TYPE 9054 200 mW.-2 watts input, 20 watts output. Gain adjustable 10-20 dB	£120 + £5 p&p
TYPE 9060 As above with integral mains power supply unit	£180 + £10 p&p
TYPE 9068 1-8 watts input, 80 watts output. Gain adjustable 10-20 dB	£160 + £5 p&p
TYPE 9057 As above with integral mains power supply unit	£210 + £10 p&p



TYPE 9002 IN 9010

TWO STAGE GASFET STRIPLINE PREAMPLIFIERS

Television bands IV or V. Channel group 'A' 21-34, 'B' 39-51 or 'CD' 48-68.

TYPE 9002 Two stage Gasfet preamplifier. N.F. 0.7 dB. Gain 25 dB. High Q filter	£85 + £2 p&p
TYPE 9004 UHF two stage Gasfet preamplifier. N.F. 0.6 dB. Gain 25 dB. Aligned to your specified frequency in the range 250-500 MHz. High Q filter	£85 + £2 p&p
TYPE 9012 Gasfet preamplifier mains power supply unit	£19.50 + £2 p&p
TYPE 9010 Masthead weatherproof unit	£6.50 + £2 p&p

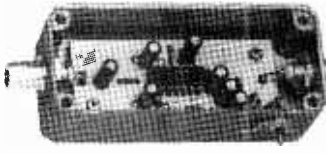


TYPE 9026

GASFET/MOSFET RF PREAMPLIFIERS

Aligned to your specified frequency in the range 1-250 MHz. Masthead/local use.

TYPE 9026 N.F. 1.0 dB. Gain 10-40 dB. variable	£39.50 + £2 p&p
TYPE 9026FM As above. Band II 88-108 MHz	£39.50 + £2 p&p
TYPE 9006 Gasfet. N.F. 0.6 dB. Gain 10-40 dB. variable	£65 + £2 p&p
TYPE 9035 Mains power supply unit for above	£24.50 + £3 p&p



TYPE 9031

WIDEBAND RF PREAMPLIFIER

1KHz.-100MHz. without tuning.

TYPE 9031 N.F. 3.0 dB. Gain 40 dB	£39.50 + £2 p&p
TYPE 9056 1500 MHz. PRESCALER Divides 100-1500 MHz. by 10	£59.50 + £2 p&p
TYPE 9084 FM TRANSMITTER. 88-108 MHz. 25 watts RF output. 12V supply	£595 + £15 p&p
TYPE 9085 As above with integral mains power supply unit	£695 + £20 p&p

PLEASE ADD 15% V.A.T. ON TOTAL

IF YOU REQUIRE EQUIPMENT MODIFIED TO SPECIFICATION PLEASE CONTACT OUR TECHNICAL DEPARTMENT

RESEARCH COMMUNICATIONS LTD.
UNIT 3, DANE JOHN WORKS, GORDON ROAD, CANTERBURY, KENT CT1 3PP
TELEPHONE: CANTERBURY (0227) 56489

ALL EQUIPMENT IS DESPATCHED BY FIRST CLASS RECORDED DELIVERY

WW - 041 FOR FURTHER DETAILS

Your own customised Communications Monitor



The vast range of available options allows you to customise the FM/AM 500 Micro-Monitor to suit your specific needs, and weighing in at just 16 lbs your 'field-tests' can now be precisely that!

For a practical demonstration to prove our point contact:
Mike Dawson on 01-897 6446.



Fieldtech Heathrow

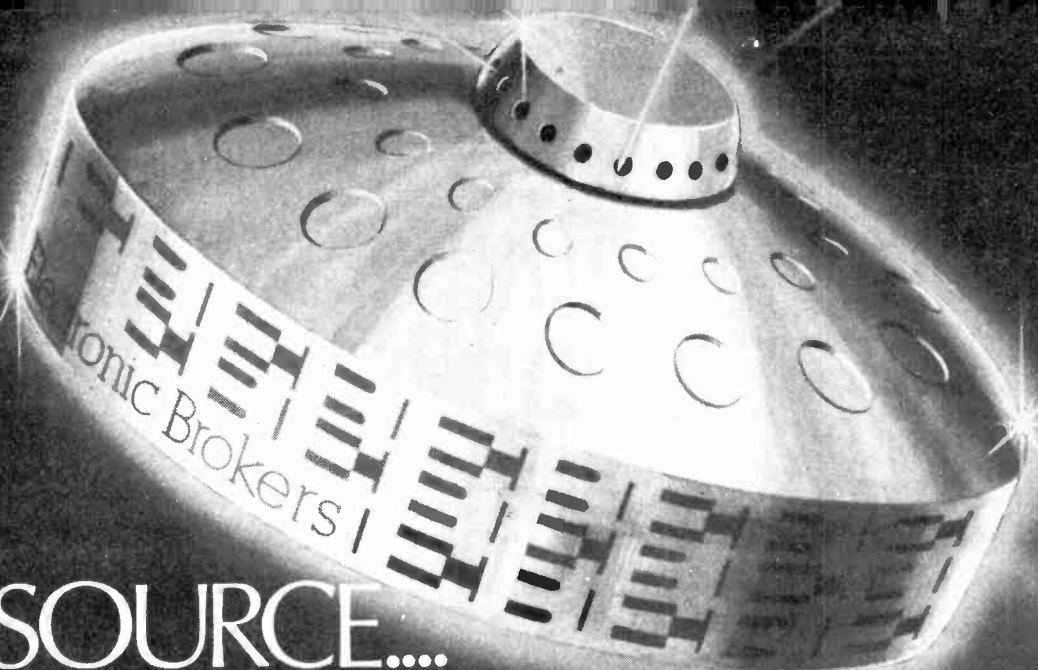
Fieldtech Heathrow Limited
Huntavia House 420 Bath Road
Longford Middlesex UB7 0LL
Telex: 23734 FLDTEC G

WW - 056 FOR FURTHER DETAILS

ESTABLISHED RADIO COMMUNICATIONS BUSINESS FOR SALE

as going concern. Home Office licensed. East Midlands situation. Business comprises: Large purpose-built radio control room, two-year-old 140ft. radio mast. Business conveniently situated in town centre location adjoining large car park. Existing base station users. Operating radius 40 miles.

For full details contact
Messrs. Kirk Ogden
23 High Street, March
Cambs, PE15 9JA
Telephone number 3187



THE SOURCE.... of all good used test equipment

Electronic Brokers are Europe's leading Second User Equipment Company. We carry large stocks of the very latest test equipment which is refurbished in our own service laboratories and calibrated to meet the manufacturer's sales specifications. When you buy used equipment from Electronic Brokers, it can be yours in just days. No waiting for manufacturers lengthy production schedules. All equipment is fully guaranteed.

ANALYSERS

- Dronez**
606-3 Line Disturbance Monitor **£2500.00**
- Hewlett Packard**
14117/8552B/8555A 10MHz-18GHz **£3300.00**
5004A Signature Analyser **£350.00**
5420A Digital Signal Analyser **£21,000.00**
8407A/B/412A Network Analyser **£1800.00**

- Marconi**
TF2303 Mod Meter **£480.00**
TF2337 Automatic Distortion Analyser **£250.00**

- Solartron**
1172 TFA **£4000.00**
- Tektronix**
AA501 opt 01 Distortion 10Hz - 100KHz to Less than 0.0025% **£1450.00**
DAS 9103 opt 01 02 Logic Analyser **£11,000.00**

- DF1 Display Formatter For 7001 **£850.00**
308 Portable 8 Channel 20MHz Data Analyser **£2100.00**
491 Spectrum Analyser 10MHz-40GHz **£7500.00**

- 492 (opt 01, 0B) Spectrum Analyser 50KHz-220GHz **£13000.00**
492P (opt 01, 2, 3) Programmable Version of 492 **£20000.00**
1401A Spectrum Analyser 1-500MHz **£850.00**

- 7L5 Spectrum Analyser with opt 25 (Tracking Gen) and L3 (50Ω input) 20Hz - 5MHz **£7300.00**
7L12 Spectrum Analyser 100KHz-1.8GHz **£8000.00**

- 7L13 Spectrum Analyser 1KHz-1.8GHz **£7500.00**
7L14 Spectrum Analyser 10KHz-1.8GHz **£9450.00**
7L18 Spectrum Analyser 1.5GHz-80GHz **£9850.00**

- TR502 Tracking Generator (for 7L12, 13 & 14) **£3200.00**
TR503 Tracking Generator (for 492/496 series) **£3250.00**
5L4N Spectrum Analyser 20Hz-100KHz **£2350.00**
7DD1 16 Channel 100MHz Sample Rate **£2450.00**

BRIDGES

- Boonton**
63H Inductance Bridge **£2000.00**

- Marconi**
TF1313A 0.1% LCR Bridge **£775.00**
TM4520 Set of Inductors **£350.00**

- Wayne Kerr**
8642 LCR 0.1% **£795.00**
SR26B Source & Detector **£875.00**

DVM'S AND DMM'S

Fluke
8022A 3 1/2 digit 0.25% Basic DC Accuracy 6 functions **£60.00**

8020A 3 1/2 digit 0.1% Basic DC Accuracy 7 functions **£75.00**

THESE DMM'S ARE UNUSED 90 DAY WARRANTY

- Datron**
1059 Bench DMM 5 1/2 digit DC and True RMS AV volts and current + resistance **£700.00**

- Fluke**
8502A 6 1/2 digit DMM **£1250.00**
8921A Wide Band DVM **£885.00**

OSCILLOSCOPES

- Hewlett Packard**
1332A High Quality CRT Display 9.6 x 11.9cm **£1250.00**
1720A Dual Trace 275MHz with Delay T' Base and probe power **£2500.00**
1809A 100MHz 4 Channel Plug In **£2000.00**
1821A Timebase Plug In **£1000.00**

- Philips**
PM3232 Dual Beam 10MHz **£495.00**
PM 3234 True Dual Beam Storage Oscilloscope 10MHz New CRT **£1500.00**

- Tektronix**
305 Portable battery scope/DMM, D T 5MHz **£975.00**
335 Dual Trace 35MHz Small portable with delay T Base **£1300.00**
468 Dual Trace 100MHz with Digital Storage [10MHz] Delay T Base **£4850.00**
T922-01 15MHz DT Scope Diff. input **£515.00**
200C Trolley for 400 Series **£120.00**
7313 100MHz Storage Mainframe **£2225.00**

- 7603 100MHz Mainframe **£1850.00**
5223 Digital Storage 10MHz **£2000.00**
5440 50MHz Mainframe **£1000.00**
5441 50MHz Variable Persistence Storage Mainframe **£1800.00**
7704A Scope DC-200MHz Mainframe **£2500.00**

- 7613 Storage Scope Mainframe **£2800.00**
DC-100MHz **£1850.00**
7633 Multimode Storage Scope Mainframe DC - 100MHz **£4500.00**
7834 Storage Scope Mainframe DC-400MHz **£7200.00**
7844 Dual Beam 400MHz Mainframe **£7750.00**
7854 Waveform Processing Scope DC-400MHz **£9000.00**
7904 opt.02, 03 500MHz **£5350.00**

TEKTRONIX PLUG INS

We stock a complete range of Plug Ins for use with 7000 and 5000 series Mainframes.

SIGNAL SOURCES

- Hewlett Packard**
612A 450-1230MHz, AM or Pulse Modulation. Output 0.1µV-0.5V. **£1500.00**
616B 1.8-4.2GHz int or ext PCM/FM 0.1µV-0.224V **£1000.00**
651B Test Oscillator. 10Hz-10MHz 0.1mV/3.16V **£415.00**
3320A Frequency Synthesizer. 0.01Hz-13MHz **£895.00**
8640B/01/02 AM/FM 1024MHz **£4850.00**
8690B Sweeper Mainframe with B698B Plug In. 0.4 - 110MHz **£4000.00**

- Marconi**
TF2000 20Hz-20KHz Low Distortion with 0-111dB Attenuator in 0.1dB steps **£575.00**

- TF2002B with TF2170 Synchronizer 10KHz-88MHz AM/FM Modulation **£1700.00**

- TF2120 0.0008Hz-100KHz Waveform Generator **£800.00**
TF2008 AM/FM 10KHz-510MHz built in sweeper. Output 0.2µV-200mV **£3500.00**
TF2169 Pulse Modulator for use with TF2015 or TF2016 **£200.00**

- Philips**
PM6456 Stereo Generator **£250.00**

TEKTRONIX TM500 SERIES

- AF501 Bandpass Filter/Amplifier **£400.00**
AM501 Op Amp Gain 10,000 **£300.00**
AM502 Diff. Amp Gain 1 - 100K **£500.00**
DM502A True RMS 3 1/2 digit DMM **£325.00**
DC503A 125MHz Counter **£475.00**
DC505A 225MHz Counter **£800.00**
DC509 Counter/Timer 135MHz **£950.00**
FG501 Function Generator 0.001Hz-1MHz **£375.00**
FG501A Function Generator 0.002Hz-2MHz **£450.00**
FG502 Function Generator 0.1Hz-1MHz **£425.00**
FG503 Function Generator 1Hz-3MHz **£275.00**

- PG501 50MHz Pulse Gen **£320.00**
PG502 250MHz Pulse Gen **£1,450.00**
PG505 Pulse Generator 1Hz-100KHz **£450.00**

- PG506 Calibration Generator **£1850.00**
PG507 Pulse Gen 50MHz **£900.00**
PG508 50MHz Pulse Gen **£1,250.00**
SC502 15MHz Dual Trace Scope **£1000.00**
SC504 80MHz Dual Trace Scope **£1250.00**

- SG503 Sinewave Generator 250KHz-250MHz **£850.00**
SG504 Sg Gen 1050MHz **£1,950.00**
TG501 Timemark Generator **£950.00**
TM515 Mainframe (5 wide) **£350.00**

TEKTRONIX TV TEST EQUIPMENT

- 148 PAL Insertion Test Generator **£4000.00**

- 1485C PAL/NTSC Dual Standard Waveform Monitor **£3150.00**
651HR 12" PAL Colour Monitor (Mint) **£3250.00**

- 655HR-1 TV Colour Picture Monitor (NTSC + PAL + RGB) **£3800.00**
656HR PAL/SECAM Monitor **£3800.00**
671 PAL Monitor **£1800.00**

MISCELLANEOUS

- Bruel & Kjaer**
2209 Sound Level Meter **£850.00**

- Databebe**
DL901 Transient Recorder **£750.00**
DL905 Transient Recorder **£985.00**

- Ferroglyph**
RTS1 Test Set **£285.00**

- Fluke**
515A Portable Calibrator DC/AC and Resistance with OC Resolution 0.2µV **£1780.00**

- 760A Meter Calibrator **£2950.00**
883 AC/DC Differential **£815.00**
845 AB Null Detector **£810.00**
931B Diff V Meter **£1,000.00**
2020A-4-6 Printer **£500.00**
2020A-3-6 Printer **£500.00**
3010A Logitester. Self Contained Portable. Full Spec. on Request **£8500.00**

- Hewlett Packard**
3552A Trans Test Set **£1,500.00**
5340A Counter 10Hz-18GHz 8 Digit **£3750.00**

- 8403A Modulator Fitted With 8732B PIN MODULATOR **£1500.00**
8745A S Parameter Test Set. Fitted with 11604A Universal Arms 0.1-2GHz **£2750.00**

- 59308A HP-IB Timing Generator **£300.00**

- Recal**
9301A RF Millivoltmeter **£495.00**

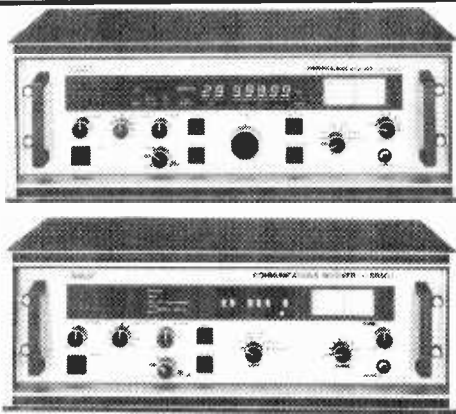
- Tektronix**
106 Square Wave Generator 1nS risetime 10Hz-1MHz without accessories **£175.00**
577/D1 Curve Tracer **£3000.00**
832 Data Comms. Testar **£925.00**
833 Data Comms. Testar **£1350.00**
2701 Step Attenuator 50Ω 0.79dB in 1dB steps. DC to 2GHz **£285.00**
2901 Time-Mark Generator **£195.00**

Please note: Prices shown do not include VAT or carriage.



Electronic Brokers
Electronic Brokers Limited
61/65 Kings Cross Road
LONDON WC1X 9LN
Telephone: 01-278 3461
Telex: 298694 Elebro G

WW - 202 FOR FURTHER DETAILS



HF COMMUNICATIONS RECEIVERS FOR POINT TO POINT/TRANSPORTABLE AND MARINE SYSTEMS

DESIGNED AND MANUFACTURED TO HIGHEST INTERNATIONAL SPECS

Fully Synthesised

10Hz or 100Hz steps

Continuously Tuned 50KHz to 30MHz

Modes LSB/USB/CW/AM/FSK

Stability ± 1 part in $10^{7/0}C$

Tuning Keypad/Spin/Decade

Power Supplies

110V/240V AC and 24V DC

WE ANNOUNCE NEW MODELS

- (a) SR 520 To meet new C.E.P.T. Spec for Ships Main Receiver.
 - (b) SR 522 with Preselector for Point to Point/Transportable.
 - (c) SR 530 As (a) above but MICROPROCESSOR/KEYPAD controlled, 200 channel memory, Scanning.
 - (d) SR 532 As (c) above but for Point to Point/Transportable.
- OPTIONS. Full Remote Control by VHF Radio or Telephone Line, Dual Diversity, FSK Demodulator and 600 ohm Line Amplifiers.

SEND FOR TECHNICAL BROCHURES TO:

VIGILANT COMMUNICATIONS LTD, UNIT 5, PONTIAC WORKS, FERNBANK ROAD, ASCOT, BERKS, ENGLAND

TELEPHONE: (0344) 885656

TELEX: 849769 VIGCOM G

WW - 033 FOR FURTHER DETAILS

EASIBINDERS

Quick, neat and easy!



It's so easy and tidy with the Easibind binder to file your copies away. Each binder is designed to hold six issues and is attractively bound and blocked with the WIRELESS WORLD logo.

Price U.K. £4.30 including postage, packing and V.A.T.

Overseas orders add 35p per binder

Nat. Giro No. 5157552.

Please allow 3/4 weeks for fulfilment of order.

Payment by ACCESS/BARCLAYCARD/VISA. Send coupon below detailing credit card no. and signature.

Why not place your order now? Send the completed coupon below with remittance payable to:

EASIBIND 42 Hoxton Square
London N1 6NS

Order Form WIRELESS WORLD

I enclose P.O./cheque value..... for.....binders

Years required.....

BLOCK LETTERS PLEASE

Name.....

Address.....

Date..... Registration No. 735718 

TIME WRONG?

MSF CLOCK is ALWAYS CORRECT - never gains or loses, SELF-SETTING at switch-on, 8 digits show Date, Hours, Minutes and Seconds; 24-hour format, auto. GMT/BST and Leap Year; STOPCLOCK, parallel BCD (including weekday) output for alarm, etc., and audio to record and show time on playback, receives Rugby 60KHz atomic time signals, built-in antenna, 1000 km range. GET THE TIME RIGHT. **£69.60.**

LOSING DX UNDER QRM? DIG it OUT with a Tunable Audio Notch Filter, between your receiver and speaker. BOOST your DX/QRM ratio; 40dB notch. Hear WEAK DX. **£16.40.**

HURRY! Prices go up at end of July. Each fun-to-build kit (ready made to order) includes all parts, printed circuit, case, by return postage, etc. Money-back assurance. So GET yours NOW.

CAMBRIDGE KITS

45 (WU) Old School Lane, Milton, Cambridge
Telephone: 860150

PICOTUTOR & ANALOGUE INTERFACE

ASSEMBLY LANGUAGE TRAINER

The ideal way to learn machine language and become acquainted with the new "single chip" control oriented microprocessors. 1.8K of EPROM, 20 I/O lines, 112 bytes of RAM and a timer all in a single 28-pin I.C. As featured in this, and subsequent issues of WW.

COMPLETE KIT **£39.87**
68705 DATA **£1.95**

ANALOGUE INTERFACE

COMPLETE KIT **£9.39**
16 WAY LEAD **£2.35** extra

COST EFFECTIVE

ELECTRONIC IGNITION

Complet kit for this efficient C.D. system featured in March '82 WW. Includes: Case, improved PCB, ferrite transformer core, winding wire, all components, hardware and instructions.

£14.92 P&P
45p

All prices include VAT. Add 45p P&P. Mail Order only.

MAGENTA ELECTRONICS LIMITED (W19)

135 Hunter Street, Burton-on-Trent, Staffs. DE14 2ST, 0283 65435

WW - 035 FOR FURTHER DETAILS

DEC SALE

a selection from our huge stocks. All items reconditioned unless otherwise stated.

Visit our stand
No. 507 at

DEXPO/Europe 83

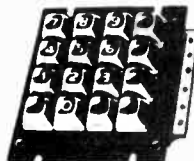
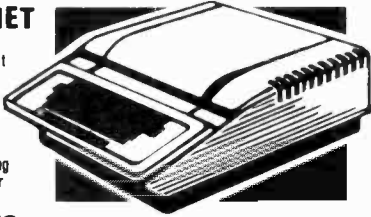
West Centre Hotel, London
29, 30 June & 1 July 1983

COMPUTER ACCESSORY BARGAINS

from HENRY'S

I.T.T. 2020 CABINET

Complete PROFESSIONAL Case beautifully constructed with cut out for one 'CHERRY' keyboard, plus ample room to house a COMPLETE SYSTEM, and power supply. Complete with fittings. (Case top detachable). Unit is silver-grey in colour. Robust construction. Sloping front with side ventilation. Ideal for NASCOM, ACORN, TANGERINE or your own system.
Size 18" x 15 1/2" x 4 1/2" (front slopes) **£27.50** (Inc. V.A.T.)
UK C/P £2.50



'CHERRY' ADD-ON KEYPAD

A compact 16 button keypad suitable for use with cherry keyboard to extend its functions. Supplied brand new with data. A 4 x 4 non-encoded single mode keyboard.

£5.95 (Inc. V.A.T.)
UK C/P Free

ALL PRICES INCLUDE VAT



TEXAS TI99-4A

Colour, sound and a typewriter type keyboard for under £180. A truly expandable microcomputer system with a wide range of educational and games software.

- Texas TI99-4A Microcomputer 16K **£159.95** (Inc. VAT)
- Voice Synthesiser Unit **£ 49.95** (Inc. VAT)
- Peripheral Expansion Unit **£149.95** (Inc. VAT)
- Disk Drive **£319.95** (Inc. VAT)
- Disk Control board (for above) **£189.95** (Inc. VAT)

MICRO STOCKISTS

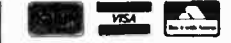
BBC · DRAGON · SHARP · SPECTRUM
TEXAS · ORIC · MICROPROFESSOR · ZX81

Nascom and Gemini Products. Also stocked range of monitors, printers disc systems to suit most purposes.

ORDER BY PHONE OR CALL IN AND SEE FOR YOURSELF

Henry's Computer Shop

404/406 Edgware Road,
London, W2 1ED Tel: 01-402 6822



Order by Post with CHEQUES, ACCESS/VISA or you can telephone your orders. All orders despatched within 5 days unless advised.
OPEN 6 DAYS A WEEK

DEC PDP 11/70 EQUIPMENT

SPECIAL BULK PURCHASE OF 11/70 PROCESSORS, PERIPHERALS AND OPTIONS EX DEC-MAINTAINED SITE enabling us to offer a wide variety of configurations and add-ons. Please let us know your requirements

DEC PDP11/60 SYSTEMS special offer

11/60 Processor with 256KB 2 x RK06 Disk Drives + control LA36 Console Rack Cabinet.
OUR BARGAIN PRICE £5250.00 All items ex DEC-maintained site

PDP8A/RLO1 SYSTEMS

special purchase — immaculate as new condition 8A400-BR Processor complete with KKBA CPU MMBAB 16KW Core KCBAA Programmers Panel KMBAA Option module KDCBA Option module 2 x RLO1AK Disk Drive RLBA Controller H967 4ft. cabinet.
£4750.00

DEC LSI PROCESSORS

11/03LX KD11 HA CPU, KEV11 EIS/FIS, BDV11 AA Terminator/Bootstrap. BA11N 5 1/4 Chassis with Backplane and Power Supply. No memory included.
NEW £1200

11/03N KD11Q CPU, KEV11 EIS/FIS, BDV11 AA Terminator/Bootstrap. BA11R 5 1/4" Chassis with Backplane and Power Supply, MSV11 DD 32KW MOS

NEW £1495

DEC DISK DRIVES

RLO1A 5MB **£995**
RL8A RLO1 + 8A Ctl **£2,245**
RL11 RLO1 + Unibus ctl **£2,495**
RM02AD [NEW] 67MB **£8,500**
RJM02 RM02 + Ctl **£11,500**
RPO6AB 176MB **£7,500**
REPO6 RPO6 + VAX ctl **£11,000**

RWP06 RPO6 + 11/70 ctl **£10,500**
RX11 BD Dual Floppy **£995**
RX21 BD Dual Floppy **£1,450**

DEC PRINTERS AND TERMINALS

LA34 DECwriter IV EIA 300 baud **£425**
LA36 DECwriter II 20mA **£295**
LA36 DECwriter II RS232 **£325**
LA180-PD DECprinter [NEW] **£495**
LS120 DECwriter III EIA 1200 baud **£750**
VT50 DECscope 20mA **£199**
VT50 DECscope RS232 **£225**
VT105 Graphics Terminal **£950**
VT131AB **£995**
VT132 **£875**

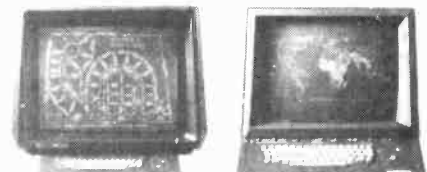
TEKTRONIX GRAPHICS DISPLAY TERMINALS

Special Purchase of Ex-Demonstrator Stock

TEKTRONIX 4014, 4015 and 4016 HIGH RESOLUTION BIG SCREEN DISPLAY TERMINALS

- ★ 19" Screen providing 4096X by 3120Y displayable points or 8512 alphanumeric (models 4014 and 4015)
 - ★ 25" Screen providing 4096X by 3120Y displayable points or 15,000 alphanumeric (model 4016)
 - ★ APL Character Set (model 4015)
 - ★ Plot-10 compatible
 - ★ Prices include Enhanced Graphics Option, Extra Memory Option and Programmable Keyboard Option
- 4014-1 **£6950** 4015-1 **£7250** 4016-1 **£8950**

Other Tektronix graphics equipment currently available includes 4006-1, 4010-1, 4027, 4051, 4952, 606/606A/606B and 611



ADD 15% VAT TO ALL PRICES Carriage and Packing extra

Electronic Brokers Ltd., 61/65 Kings Cross Road, London WC1X 9LN. Tel: 01-278 3461. Telex 298694



Electronic Brokers

WW - 203 FOR FURTHER DETAILS

ELECTROVALUE

FOR THE LARGEST RANGE OF WORLD-FAMOUS SIEMENS COMPONENTS IN THE U.K. INCLUDING 'SIPMOS' MOSFET POWER TRANSISTORS FROM 0.75 to 125 WATTS

AT VOLTAGES FROM 50 to 1,000

Type	Case	V	A	W	PRICE
Buz 10	T022	50	12	45	£4.78
Buz 10A	TO 22	50	12	45	£4.78
Buz 15	T03	50	45	125	£18.70
Buz 20	T0220	100	12	45	£6.25
Buz 23	T03	100	10	62.5	£8.82
Buz 24	T03	100	32	125	£16.20
Buz 30	T0220	200	6.5	0.75	£5.68
Buz 32	T0220	200	8.8	62.5	£8.11
Buz 33	T03	200	7.2	78	£8.11
Buz 35	T03	200	9.9	78	£10.52
Buz 36	T03	200	22	125	£23.60
Buz 41A	T0220	500	4.3	62.5	£7.77
Buz 43	T03	500	2.8	78	£8.11
Buz 44A	T03	500	4.8	78	£11.57
Buz 45	T03	500	9.6	100	£18.18
Buz 46	T03	500	4.2	78	£9.32
Buz 48	T0238	500	7.3	83.3	£23.30
Buz 50A	T0220	1000	2.3	75	£10.42
Buz 54A	T03	1000	4.6	125	£20.45
Buz 60	T0220	400	5.5	62.5	£8.71
Buz 64	T03	400	11.5	100	£22.69
Buz 80	T0220	800	2.6	75	£9.78
Buz 80A	T0220	800	3	75	£16.23
Buz 83	T03	800	2.9	78	£14.58
Buz 83A	T03	800	3.4	78	£15.29
Buz 84	T03	800	5.3	125	£26.45
Buz 84A	T03	800	6	125	£23.58

SUMMER PRICE LIST — FREE

Write, phone or call for latest EV price list packed with thousands of items. I.C.s, semi-conductors, components, boxes, meters, tools, etc. at BETTER PRICES WITH BETTER CHOICE AND BETTER SERVICE from a capacitor to a computer

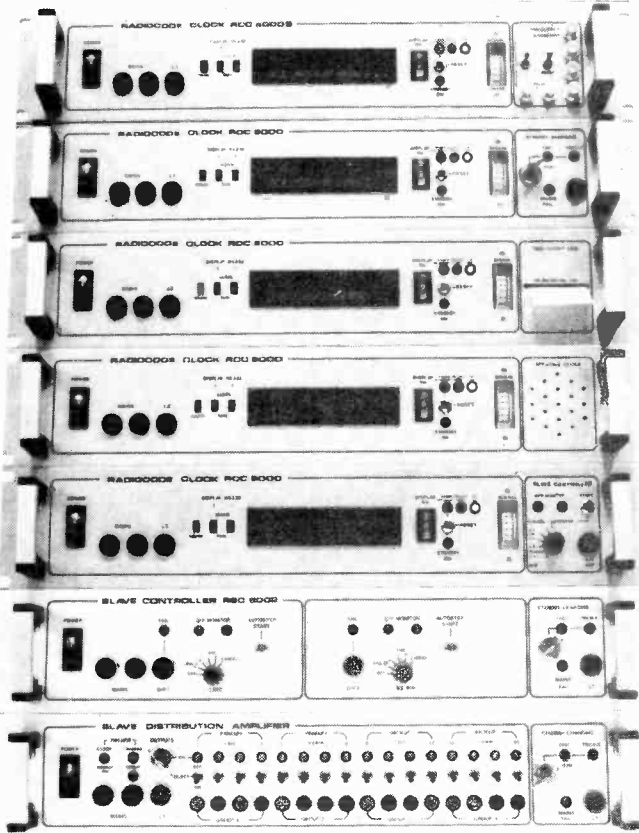
ELECTROVALUE LTD.

Head Office, Mail Order and Shop: 28 St Judes Road, Englefield Green, Egham, Surrey TW20 0HB. Egham (STD 0784: London 87) 33603: Telex 264475 North — personal shoppers only. 680 Burnage Lane, Burnage, Manchester M19 1NA (061-432 4945). Please mention Wireless World when ordering or writing
EV Computing Shop, 700 Burnage Lane, Manchester (061-431 4866).

RADIOCODE CLOCKS

SOLVE PROBLEMS

ATOMIC TIME, FREQUENCY AND SYNCHRONISATION EQUIPMENT



NEW PHASE-MODULATION SYSTEMS

Until recently, atomic time and date information was only available on v.l.f. transmissions using amplitude modulation. The RCC 8000AM series of equipment uses these transmissions to offer high noise immunity and high accuracy, particularly at very long range.

The new RCC 8000PM series of equipment uses, for the first time, phase modulated transmissions with massive radiated powers of up to 2 Mega-Watts to offer long range, excellent noise immunity and no scheduled maintenance periods.

NEW PRODUCTS

The AM and PM series of Radiocode Clock equipment has been further expanded to include seven new models (from top) 8000S – combined clock, frequency standard and optional stopclock. **Internal standby power supply** – with dual rate constant current charger. **Time-event log** – prints hours, minutes, seconds, milliseconds and day of year, on receipt of a log pulse. **Speaking clock** – time announcement or audio recording. **Slave controller** – total control of single-standard master/slave systems ie one pulse/sec. **Dual standard slave controller** – total control of two different and independent slave systems, ie. one pulse/sec and one pulse/half min. **Slave distribution amplifier** – maximum flexibility for the largest master/slave installations requiring dual standard operation, multiple circuits and complete master/slave backup.

NEW OPTIONS

A continuously expanding range of fully integrated software and hardware is available for both series of Radiocode Clock equipment. Standard options now include:

- IRIG B precision serial o/p
- RS232/V24 1mS resolution
- General purpose parallel o/p
- FSK record/replay system
- Keypad entry of alarm times
- Keypad entry of time/date
- Time code generators
- Intelligent slave systems
- Standard frequency outputs
- Stopclock operation
- Calibrated systems for increased accuracy

Circuit Services

Unit 19, Parkengue, Kernick Road Industrial Estate
Penryn, Falmouth, Cornwall. Tel: Falmouth 76007

WW – 051 FOR FURTHER DETAILS

Accurate Digital Multimeters at Exceptional Prices

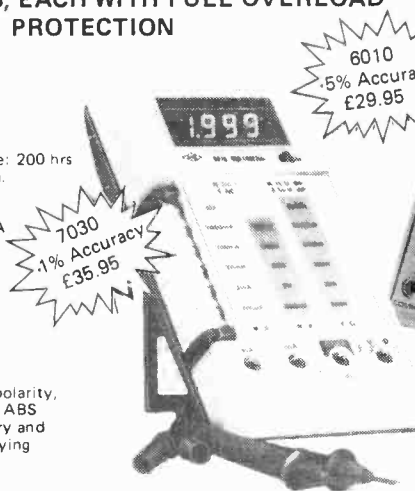
NEW ANALOGUE METER WITH CONTINUITY BUZZER AND BATTERY SCALE

28 RANGES, EACH WITH FULL OVERLOAD PROTECTION

SPECIFICATION MODELS
6010 & 7030

- 10 amp AC/DC
- Battery: Single 9V drycell. Life: 200 hrs
- Dimensions: 170 x 89 x 38mm.
- Weight: 400g inc. battery.
- Mode Select: Push Button.
- AC DC Current: 200µA to 10A
- AC Voltage: 200mV to 750V
- DC Voltage: 200mV to 1000V
- Resistance: 200Ω to 20MΩ
- Input Impedance: 10MΩ
- Display: 3 1/2 Digit 13mm LCD
- O/load Protection: All ranges

OTHER FEATURES: Auto polarity, auto zero, battery low indicator, ABS plastic case with tilt stand, battery and test leads included, optional carrying case.



6010
5% Accuracy
£29.95

7030
1% Accuracy
£35.95

NEW
HM102 BZ
£13.00

NEW HM 102 BZ SPECIFICATION

- DC Voltage: 0-25, 1, 2.5, 10, 25, 100, 250, 1000 volts 20,000 ohms/volt.
- AC Voltage: 0-10, 25, 100, 250, 1000 volts 10,000 ohms/volt.
- Decibels: -20 to +22dB
- DC Current: 0-50, 500µA, 0-5, 50, 500mA
- Ohmmeter: 0-6 Megohms in 4 ranges. 30 ohms Centre Scale
- Power Supply: One 1.5V size 'A' battery (incl)
- Size & Weight: 135 x 91 x 39mm, 280gr.

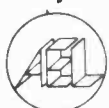
HM 101 POCKET SIZE MULTIMETER SPECIFICATION

- DC & AC Voltage: 0-10, 50, 250, 1000 volts, 2000 ohms/volts
- Decibels: -10 to +22dB
- DC Current: 0-100mA
- Ohmmeter: 0-1 Megohm in 2 ranges, 60 ohms Centre Scale
- Power Supply: One 1.5V size 'A' battery (incl)
- Size & Weight: 90 x 60 x 29mm, 92gr. incl. battery
- Price: £5.50

Quantity discount for trade on application.

Add 15% to your order for VAT. P&P is free of charge.

ARMON ELECTRONICS LTD.



Cottrell House, 53-63 Wembley Hill Road, Wembley, Middlesex HA9 8BH, England

Telephone 01-9024321 (3 lines)

TELEX No 923985

Payment by cheque with order
 or accepted

WW – 009 FOR FURTHER DETAILS

KONTAKT

The European name of Aerosol Excellence. Special cleaners for all electrical contacts and switches.



Kontakt 60

Dissolves oxides and sulphides, removes dirt, oil, resin and traces of metal abrasion. Protects against erosion. Ensures perfect contacts.

Kontakt 61

Special cleaning, lubricating and anti-corrosion fluid for NEW (non oxidised) and specially sensitive contacts. An excellent lubricant for all electrical and electro mechanical systems.

Spray Wash WL

A rapid cleaner for reliable washing and degreasing of electrical equipment and components. For removal of dirt, grease, oil, soldering residues and other impurities.

ALSO AVAILABLE:

A COMPLETE RANGE OF INDUSTRIAL AEROSOL SPRAYS

SK10 Soldering Lacquer, K75 Cold Spray, K70 Plastic Spray, K88 Oil Spray, K701 Vaseline Spray, K90 Video Spray, K33 Graphite Spray, K100 Antistatic Spray, K101 Fluid Spray and, of course, Positiv 20 positive photo resist for printed circuits.

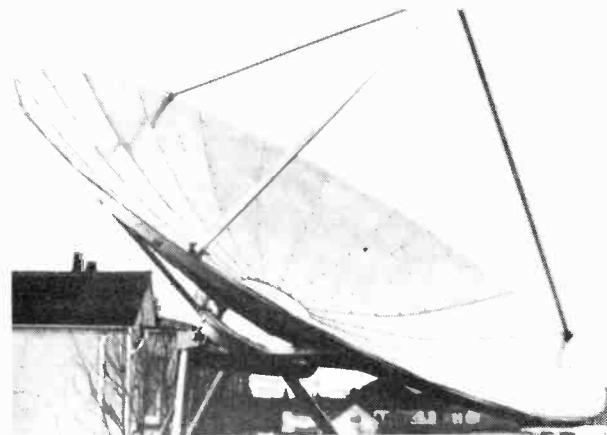
Details from:

Special Products Distributors Ltd.

81 Piccadilly, London, W1V 0HL
Tel: 01-629 9556. Telex: 26500 (answerback RACEN). Cables: Specipro, London, W1

H.B.E.D.

6FT. PARABOLIC DISHES FROM ONLY £85 PLUS V.A.T.



6ft. dia. dishes, feed horns and electronics for use in 4GHz satellite reception. GaAs Fet transistors, SMA connectors, P.T.F.E., etc. available. Please send s.a.e. for full details and data sheets.

Harrison Bros.

Electronic Distributors

22 Milton Road, Westcliff-on-Sea, Essex SS0 7JX
Tel. Southend (0702) 332338

WW - 012 FOR FURTHER DETAILS

Midwich

COMPUTER COMPANY LIMITED

1st choice for microcomputer components

BBC MICROCOMPUTERS

Model B 346.95
Model B + Disc Int. 441.95

BBC MICRO DISC DRIVES

BBC31 Single 100K 225.00
BBC32 Dual 100K 340.00
BBC34 Dual 400K 649.00
All disc drives include all Cables, Manual & Utilities Disc.

BBC MICRO UPGRADE KITS

BBCA2B Complete A TOB 44.75
BBC1 16K Memory 18.00
BBC2 Printer 7.50
BBC3 Disc 95.00
BBC4 Analogue 6.70
BBC5 Serial & RGB 7.30
BBC6 Bus 6.45
Fitting service available.

BBC MICRO CONNECTORS

BBC21 Printer Cable 13.00
AY31015 (not assembled) 6.47
BBC22 User Port Connector & Cable 2.46
BBC23 Cassette Lead 3.50
BBC24 7 Pin Din Plug 0.60
BBC25 6 Pin Din Plug 0.60
BBC26 5 Pin Din Plug 0.60

BBC MICRO ACCESSORIES

BBC45 Joysticks 11.30
BBC67 Eprom Programmer 57.95

BBC MICRO SOFTWARE

View Wordprocessor 52.00
1.0 M.O.S. 36.00

ACORNSOFT

Full range available. Please telephone for stock position.

MEMORIES

2114L 200NS	D1	0.80
2708 450NS	D2	2.95
2716 450NS	D1	2.45
2716 350NS	D1	4.95
2716 3 Rail	D1	7.25
2532 450NS	D2	3.45
2732 450NS	D1	3.45
2732 350NS	D1	5.45
2764 300NS	D1	7.95
4116 150NS	D1	0.85
4116 200NS	D2	0.90
4118 150NS	D1	3.25
5516 200NS	D2	9.45
6116 150NS	D1	3.30
6116 Low Power 150NS	D2	4.95
4164 200NS TI	D3	3.95
4164 200NS NEC	D3	3.95
4516/4816 100NS	D2	2.25
4532 200NS	D2	2.95

6800 FAMILY

6800	D7	2.25
6802	D5	2.50
6809	D6	6.30
6810	D1	1.15
6821	D3	1.00
6840	D4	3.75
6845	D5	6.50
6850	D2	1.10
68488	D2	7.30
68800	D7	5.25
68809	D6	12.00
68810	D1	2.26
68821	D3	2.20
68840	D4	6.00
68850	D2	2.20

Z80 FAMILY

Z80 ACPU	D2	2.99
Z80 BCPU	D2	0.00
Z80 ACTC	D1	2.60
Z80 BCTC	D1	9.00
Z80 ADART	D1	5.50
Z80 ADMA	D2	6.95
Z80 AP10	D1	2.75
Z80 BP10	D1	9.00
Z80 AS10	D4	9.00

8080 FAMILY

8085A	D4	3.50
8212		1.00
8216		1.00
8224		2.10
8228		3.27
8251A	D5	2.50
8253		4.00
8255A	D5	2.25

6500 FAMILY

6502	D3	3.25
6502A	D3	5.00
6520	D1	2.50
6520A	D1	3.15
6522	D5	3.00
6522A	D5	5.00
6532	D2	5.50

FLOPPY DISC CONTROLLERS

8271		36.00
FD1771	D5	15.00
FD1791	D6	22.00
FD1793	D6	23.00
FD1795	D6	28.00
FD1797	D6	28.00
WD1691	D2	12.00
WD2143 01	D2	6.99

INTERFACE DEVICES

75107		3.80
75107		0.47
75110		0.56
75150		0.64
75154		0.77
75160		2.56
75161		1.44
75162		3.95
75172		1.95
75173		1.44
75174		1.95
75175		1.44
75182		0.50
75183		0.50
75188		0.37
75189		0.37
75451		0.22
75452		0.22
75453		0.22
75454		0.22
75468		0.88
75491		0.31
75492		0.42
AY31015	D2	3.00
AY31270		6.47
AY38910	D6	4.40
AY52600	D2	6.70
DP3304	D1	2.50
MC1488	D1	0.37
MC1489	D1	0.37
NC3242A		6.30
MC3446	D1	2.50
MC3448A	D1	3.75
MC3480	D5	7.30
MC3487	D1	2.00
MC14411	D1	7.65
MC14412		9.45
RO32513L	D1	6.50
RO32513U	D1	6.50

REGULATORS

78L05		0.30
78L12		0.30
78L15		0.30
7805		0.40
7812		0.40
7815		0.40
7905		0.45
7912		0.45
7915		0.45
LM309K		1.20
LM317K		2.40
LM323K		4.50
LM338K		6.25

DATA CONVERTORS

UPD7002	D1	4.26
ZN425	D1	3.45
ZN426	D1	3.00
ZN427	D1	5.99
ZN428	D1	4.75
ZN429	D1	2.10
ZN432	D1	13.00
ZN449	D1	2.55

CRYSTALS

1MHz		2.75
1.8432 MHz		1.32
4MHz		0.64
8MHz		0.86

DIL SOCKETS

Plns	Tin	Gold	W/W
8	7	16	25
14	10	26	35
16	10	29	40
18	13	33	50
20	15	37	60
22	17	38	65
24	21	46	70
28	24	55	80
40	30	76	99

ZIF SOCKETS

24 Pin		5.75
28 Pin		8.20
40 Pin		9.75

Data sheets are available on items marked D.
Prices are as follows

D1	0.75	D5	2.00
D2	1.00	D6	3.00
D3	1.25	D7	4.00
D4	2.00	D8	5.00

A full range of the following products is carried in stock and is listed in our FREE catalogue.

- 74LS Series TTL
- 4000 Series CMOS
- T.I. Bipolar Memories
- 9900 Series Micros
- Crystal's
- IDC, Card Edge & D Type Connectors
- Dip Jumpers
- Monochrome & Colour Monitors (NEC & KAGA)
- Eprom Programmers & Erasers
- Custom Cable Assemblies

SPECIAL OFFER! SPECTRUM 32K UPGRADE KIT £24.95

Carriage Orders up to £199 are sent by 1st class post, and £200+ by Securicor.
0-£100 0.50 £100-£199 1.25 £200+ 5.00 by Securicor.
Prices quoted (+ carriage charges) are exclusive of VAT and are subject to change without notice.

Quantity Discounts are available on many products. please ring for details.

Official Orders are welcome from Education Establishments, Government Bodies and Public Companies.

Credit Accounts are available to others subject to status. Payment is due strictly nett by the 15th of the month.

Credit Cards are accepted (Access and Visa) for telephone and postal order and NO SURCHARGE is made.

Out of stock items will follow automatically, at our discretion, or a refund will be given if requested.

THE ABOVE LIST SHOWS JUST A FEW OF THE ITEMS IN STOCK. PLEASE TELEPHONE YOUR REQUIREMENTS - OR BETTER STILL SEND FOR OUR FREE CATALOGUE

Please complete this coupon for a copy of our FREE catalogue

NAME _____

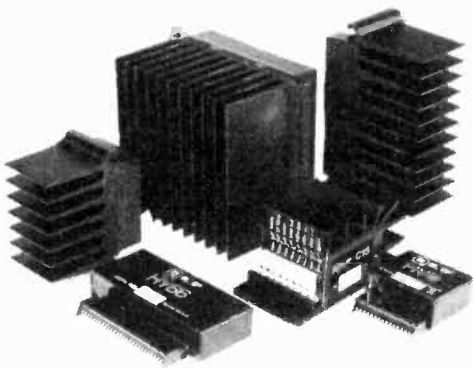
ADDRESS _____

TEL NO _____

MIDWICH COMPUTER COMPANY LIMITED
RICKINGHALL HOUSE, RICKINGHALL, SUFFOLK IP22 1HH
TELEPHONE (0379) DISS 898751

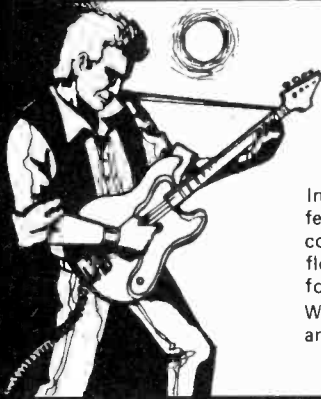
WW - 031 FOR FURTHER DETAILS

GET BIG POWER



Modular Amplifiers the third generation

Due to continuous improvements in components and design ILP now launch the largest and most advanced generation of modules ever.



WE'RE INSTRUMENTAL IN MAKING A LOT OF POWER

In keeping with ILP's tradition of entirely self-contained modules featuring, integral heatsinks, no external components and only 5 connections required, the range has been optimized for efficiency, flexibility, reliability, easy usage, outstanding performance, value for money.

With over 10 years experience in audio amplifier technology ILP are recognised as world leaders.



BIPOLAR MODULES

Module Number	Output Power Watts rms	Load Impedance Ω	DISTORTION		Supply Voltage Typ	Size mm	WT gms	Price inc. VAT
			T.H.D. Typ at 1KHz	I.M.D. 60Hz/7KHz 4:1				
HY78	15	4-8	0.015%	<0.006%	± 18	76 x 68 x 40	240	£8.40
HY61	30	4-8	0.015%	<0.006%	± 25	76 x 68 x 40	240	£9.55
HY6060	30 + 30	4-8	0.015%	<0.006%	± 25	120 x 78 x 40	420	£18.69
HY124	60	4	0.01%	<0.006%	± 26	120 x 78 x 40	410	£20.75
HY128	60	8	0.01%	<0.006%	± 35	120 x 78 x 40	410	£20.75
HY244	120	4	0.01%	<0.006%	± 35	120 x 78 x 50	520	£25.47
HY248	120	8	0.01%	<0.006%	± 50	120 x 78 x 50	520	£25.47
HY364	180	4	0.01%	<0.006%	± 45	120 x 78 x 100	1030	£38.41
HY368	180	8	0.01%	<0.006%	± 60	120 x 78 x 100	1030	£38.41

Protection: Full load time. Slew Rate: 15V/ μ s. Rise time: 5 μ s. S/N ratio: 100dB. Frequency response (-3dB) 15Hz - 50KHz. Input sensitivity: 500mV rms. Input Impedance: 100K Ω . Damping factor: 100Hz >400.

PRE AMP SYSTEMS

Module Number	Module	Functions	Current Required	Price inc. VAT
HY6	Mono pre amp	Mic/Mag. Cartridge/Tuner/Tape/Aux + Vol/Bass/Treble	10mA	£7.60
HY66	Stereo pre amp	Mic/Mag. Cartridge/Tuner/Tape/Aux + Vol/Bass/Treble/Balance	20mA	£14.32
HY73	Guitar pre amp	Two Guitar (Bass Lead) and Mic + separate Volume Bass Treble + Mix	20mA	£15.36
HY78	Stereo pre amp	As HY66 less tone controls	20mA	£14.20

Most pre-amp modules can be driven by the PSU driving the main power amp. A separate PSU 30 is available purely for pre amp modules if required for £5.47 (inc. VAT). Pre-amp and mixing modules in 18 different variations. Please send for details.

Mounting Boards

For ease of construction we recommend the B6 for modules HY6 - HY13 £1.05 (inc. VAT) and the B66 for modules HY66 - HY78 £1.29 (inc. VAT).

POWER SUPPLY UNITS (Incorporating our own toroidal transformers)

Model Number	For Use With	Price inc. VAT
PSU 21X	1 or 2 HY30	£11.93
PSU 41X	1 or 2 HY60, 1 x HY6060, 1 x HY124	£13.83
PSU 42X	1 x HY128	£15.90
PSU 43X	1 x MOS128	£16.70
PSU 51X	2 x HY128, 1 x HY244	£17.07

Please note: X in part no. indicates Primary voltage. Please insert "0" in place of X for 110V, "1" in place of X for 220V, and "2" in place of X for 240V.

MOSFET MODULES

Module Number	Output Power Watts rms	Load Impedance Ω	DISTORTION		Supply Voltage Typ	Size mm	WT gms	Price inc. VAT
			T.H.D. Typ at 1KHz	I.M.D. 60Hz/7KHz 4:1				
MOS 128	60	4-8	<0.005%	<0.006%	± 45	120 x 78 x 40	420	£30.41
MOS 248	120	4-8	<0.005%	<0.006%	± 55	120 x 78 x 80	850	£39.86
MOS 364	180	4	<0.005%	<0.006%	± 55	120 x 78 x 100	1025	£45.51

Protection: Able to cope with complex loads without the need for very special protection circuitry (fuses will suffice).

Slew rate: 20V/ μ s. Rise time: 3 μ s. S/N ratio: 100dB. Frequency response (-3dB): 15Hz - 100KHz. Input sensitivity: 500mV rms. Input impedance: 100K Ω . Damping factor: 100Hz >400.

'NEW to ILP' In Car Entertainments

C15

Mono Power Booster Amplifier to increase the output of your existing car radio or cassette player to a nominal 15 watts rms.

Very easy to use.

Robust construction.

£9.14 (inc. VAT)

Mounts anywhere in car.

Automatic switch on.

Output power maximum 22w peak into 4 Ω .

Frequency response (-3dB) 15Hz to 30KHz. T.H.D. 0.1% at 10w 1KHz.

S/N ratio (DIN AUDIO) 80dB. Load Impedance 3 Ω .

Input Sensitivity and impedance (selectable) 700mV rms into 15K Ω 3V rms into 8 Ω .

Size 95 x 48 x 50mm. Weight 256 gms.

C1515

Stereo version of C15.

£17.19 (inc. VAT)

Size 95 x 40 x 80. Weight 410 gms.

WITH A LOT OF HELP FROM



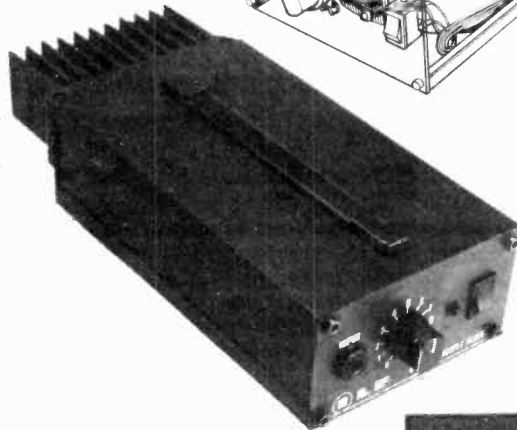
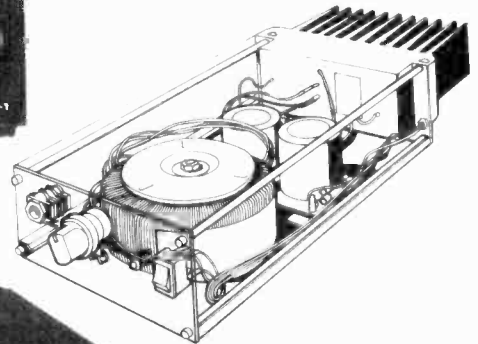
PROFESSIONAL HI-FI THAT EVERY ENTHUSIAST CAN HANDLE...

Unicase

Over the years ILP has been aware of the need for a complete packaging system for its products, it has now developed a unique system which meets all the requirements for ease of assembly, adaptability, ruggedness, modern styling and above all price.

Each Unicase kit contains all the hardware required down to the last nut and bolt to build a complete unit without the need for any special tools.

Because of ILP's modular approach, "open plan" construction is used and final assembly of the unit parts forms a compact aesthetic unit. By this method construction can be achieved in under two hours with little experience of electronic wiring and mechanical assembly.



Hi Fi Separates

UC1 PRE AMP UNIT: Incorporates the HY78 to provide a "no frills", low distortion, (<0.01%), stereo control unit, providing inputs for magnetic cartridge, tuner, and tape/monitor facilities. This unit provides the heart of the hi fi system and can be used in conjunction with any of the UP Unicase series of power amps. For ultimate hum rejection the UC1 draws its power from the power amp unit.

POWER AMPS: The UP series feature a clean line front panel incorporating on/off switch and concealed indicator. They are designed to compliment the style of the UC1 pre-amp. Performance for each unit which includes the appropriate power supply, is as specified on the facing page.

Power Slaves

Our power slaves, which have numerous uses i.e. instrument, discotheque, sound reinforcement, feature in addition to the hi fi series, front panel input jack, level control, and a carrying handle. Providing the smallest, lowest cost, slave on the market in this format.

UNICASES

HiFi Separates					Price inc. VAT
UC1	Preamp				£29.95
UP1X	30 + 30W/4-8Ω	Bipolar	Stereo	HiFi	£54.95
UP2X	60W/4Ω	Bipolar	Mono	HiFi	£54.95
UP3X	60W/8Ω	Bipolar	Mono	HiFi	£54.95
UP4X	120W/4Ω	Bipolar	Mono	HiFi	£74.95
UP5X	120W/8Ω	Bipolar	Mono	HiFi	£74.95
UP6X	60W/4-8Ω	MOS	Mono	HiFi	£64.95
UP7X	120W/4-8Ω	MOS	Mono	HiFi	£84.95
Power Slaves					
US1X	60W/4Ω	Bipolar	Power	Slave	£59.95
US2X	120W/4Ω	Bipolar	Power	Slave	£79.95
US3X	60W/4-8Ω	MOS	Power	Slave	£69.96
US4X	120W/4-8Ω	MOS	Power	Slave	£89.95

Please note X in part number denotes mains voltage. Please insert '0' in place of X for 110V, '1' in place of X for 220V (Europe), and '2' in place of X for 240V (U.K.) All units except UC1 incorporate our own toroidal transformers.

TO ORDER USING OUR FREEPOST FACILITY

Fill in the coupon as shown, or write details on a separate sheet of paper, quoting the name and date of this journal. By sending your order to our address as shown at the bottom of the page opposite, with FREEPOST clearly shown on the envelope, you need not stamp it. We pay postage for you. Cheques and money orders must be crossed and made payable to I. L. P. Electronics Ltd. if sending cash, it must be by registered post. To pay C.O.D. please add £1 to TOTAL value of order.

PAYMENT MAY BE MADE BY ACCESS OR BARCLAYCARD IF REQUIRED



Post to ILP Electronics Ltd., Freepost, 5 Graham Bell House, Roper Close, Canterbury, CT2 7EP, Kent, England. Telephone (0227) 54778. Technical (0227) 64723. Telex 965780

Please send me the following _____

Total purchase price _____

I enclose Cheque Postal Orders Int. Money Order

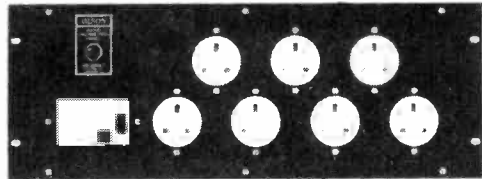
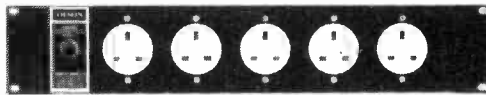
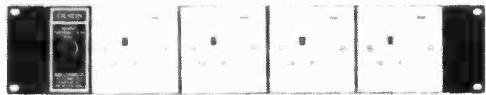
Please debit my Access/Barclaycard No. _____

Name _____

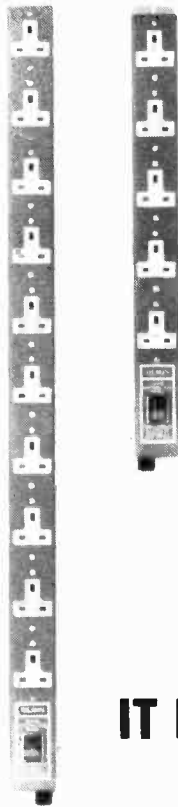
Address _____

Signature _____

WW - 008 FOR FURTHER DETAILS



**V
E
R
T
I
C
A
L**



**WHEN
IT COMES
TO POWER
FOR RACKS
IT MUST BE OLSON**

**VERTICAL RANGE FROM 3-10 SOCKETS
ALL EX-STOCK!
SPECIALS TO ORDER**

OLSON ELECTRONICS LIMITED

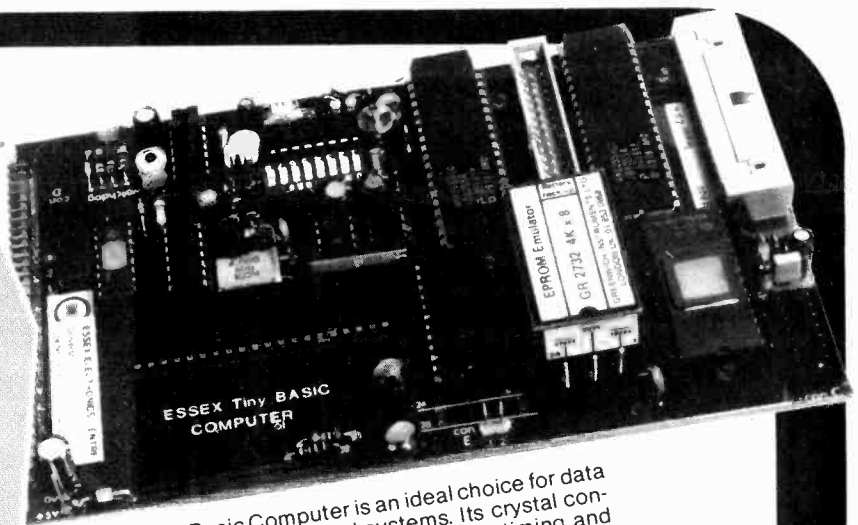
**5-7 LONG STREET LONDON E2 8HJ
TEL: 01-739 2343 TELEX 296797**

WW - 010 FOR FURTHER DETAILS

Essex Tiny Basic System

- * RS232 Interface
48 I/O Lines
- * Powerful National
INS 8073 Processor
- * Autostart Operation
with Watchdog Timer
- * Up to 16K Byte EPROM
EPROM Programmer
- * Accommodates Instant
ROM Modules

PRICE
Excluding V.A.T. £185
Substantial quantity discounts available
Carriage within U.K. £2



The Essex Tiny Basic Computer is an ideal choice for data acquisition and process control systems. Its crystal controlled timer and interrupts provide accurate timing and fast response to critical events, while the watchdog timer ensures reliable operation. Programs can be entered and tested from an RS232 terminal, and then be copied into EPROM. Alternatively, Instant ROM modules may be used both during development and for program storage.

"INSTANT ROM" is the trademark of Greenwich Instruments
— PLEASE SEND FOR FULL INFORMATION

*** NOW AVAILABLE**

"Alex"
POWERFUL SOFTWARE PACKAGE
IN A PROM, FEATURES:
TEXT EDITOR
ASSEMBLER
DISS ASSEMBLER
DEBUG MONITOR

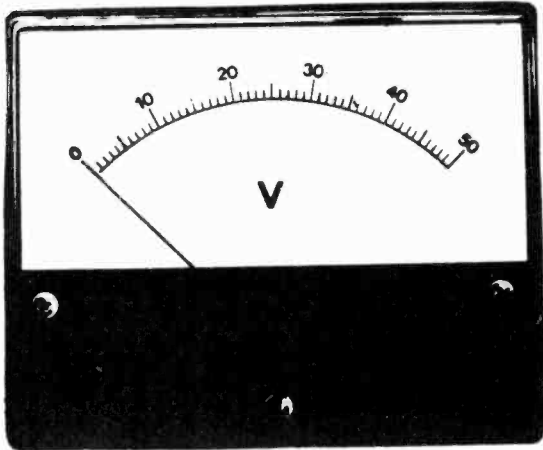


Essex Electronics Centre

**Wivenhoe Park, Colchester, Essex CO4 3SQ
Telephone: Colchester (0206) 865089**

WW - 050 FOR FURTHER DETAILS

METER PROBLEMS?



137 Standard Ranges in a variety of sizes and stylings available for 10-14 days' delivery. Other Ranges and special scales can be made to order.

Full Information from:

HARRIS ELECTRONICS (London)
 138 GRAY'S INN ROAD, W.C.1 Phone: 01-837 7937
 Telex: 892301 HARTO G

WW - 019 FOR FURTHER DETAILS

PRODUCTION TESTING

DEVELOPMENT

SERVICING

POWER UNITS

Now available with
3 OUTPUTS



Type 250VRU/30/25

- OUTPUT 1: 0-30v, 25A DC
- OUTPUT 2: 0-70v, 10A AC
- OUTPUT 3: 0-250v, 4A AC

ALL
 Continuously
 Variable

Valradio

VALRADIO LIMITED, BROWELLS LANE, FELTHAM
 MIDDLESEX TW13 7EN
 Telephone: 01-890 4242/4837

WW - 021 FOR FURTHER DETAILS

The Keithley 179A

NEW!



A MEASURE OF ACHIEVEMENT.

Specification . . . Versatility . . . Accuracy . . . Price. In almost every major area the new 179A - a 4 1/2 digit bench/portable DMM - from Keithley Instruments sets some pretty impressive standards:

- 20 amp capability ● Full function: 27 ranges including true RMS AC Measurement
- Year's guarantee on spec ● 0.04% DC accuracy ● IEEE option ● Large display and 10μV dc resolution.

For those requiring 10 times more sensitivity and an analogue output there's the 177, a unit with similar specification to the 179A. Both models are part of a vast range of test equipment from one of the world's leading manufacturers.

For more information fill in the coupon at the bottom of the page.

Alternatively, phone our Instant Information

Service on
 0734 861287 now.



KEITHLEY

Keithley Instruments Ltd
 1 Boulton Road Reading Berkshire RG2 0NL
 Telephone (0734) 861287
 Telex 847047

I'd like to know more . . .

Name _____

Position _____

Company _____

Address _____

Telephone _____

WW/7

WW - 007 FOR FURTHER DETAILS

Sowter Transformers

With 42 years' experience in the design and manufacture of several hundred thousand transformers we can supply

AUDIO FREQUENCY TRANSFORMERS OF EVERY TYPE

YOU NAME IT! WE MAKE IT!

OUR RANGE INCLUDES:

Microphone transformers (all types); Microphone Splitter/Combiner transformers, Input and Output transformers, Direct Injection transformers for Guitars, Multi-Secondary output transformers, Bridging transformers, Line transformers, Line transformers to G.P.O. Isolating Test Specification, Tapped impedance matching transformers, Gramophone Pickup transformers, Audio Mixing Desk transformers (all types), Miniature transformers, Microminiature transformers for PCB mounting, Experimental transformers, Ultra low frequency transformers, Ultra linear and other transformers for Transistor and Valve Amplifiers up to 500 watts, Inductive Loop transformers, Smoothing Chokes, Filter, Inductors, Amplifier to 100 volt line transformers (from a few watts up to 1,000 watts), 100 volt line transformers to speakers, Speaker matching

transformers (all powers), Column Loudspeaker transformers up to 300 watts or more.

We can design for RECORDING QUALITY, STUDIO QUALITY, HI-FI QUALITY OR P.A. QUALITY. OUR PRICES ARE HIGHLY COMPETITIVE AND WE SUPPLY LARGE OR SMALL QUANTITIES AND EVEN SINGLE TRANSFORMERS. Many standard types are in stock and normal despatch times are short and sensible.

OUR CLIENTS COVER A LARGE NUMBER OF BROADCASTING AUTHORITIES, MIXING DESK MANUFACTURERS, RECORDING STUDIOS, HI-FI ENTHUSIASTS, BAND GROUPS AND PUBLIC ADDRESS FIRMS. Export is a speciality and we have overseas clients in the COMMONWEALTH, EEC, USA, MIDDLE EAST, etc. Send for our questionnaire which, when completed, enables us to post quotations by return.

E. A. Sowter Ltd.

Manufacturers and Designers

E. A. SOWTER LTD. (Established 1941), Reg. No. England 303990

The Boat Yard, Cullingham Road, Ipswich, IP1 2EG, Suffolk, P.O. Box 36, Ipswich, IP1 2EL, England
Phone: 0473 52794 & 0473 219390 : Telex: 987703G SOWTER

WW - 017 FOR FURTHER DETAILS



ANTENNA INSULATORS



SMC/CCJ1 Dipole Centre Junction, high strain capability (600 KGs) power rating up to 2KW P.E.P. Standard unit fitted with S0239 sockets, other connectors available.



SMC/CCJ2 Lighter duty version of CCJ1 moulded in carbon-loaded polypropylene, supplied with all hardware, in S0239 and BNC connectors. Weight 120 grammes.



SMC/P1 Strain insulator 8 1/2" OA in carbon-loaded polypropylene, very light (80 grammes), virtually indestructible.



SMC/P2 Strain insulator as P1 but 3 1/2", weight 20 grammes.



SMC/AJU light duty centre junction designed for use with twin wire type feeders, 3 1/2" OA.

A complete range of porcelain and pyrex strain, egg, and feedthrough insulators ex-stock.

SMC also stock a complete range of antenna wires, coaxial cables, connectors and rigging accessories, stocked in commercial quantities at competitive prices. Export enquiries welcome.

SOUTH MIDLANDS COMMUNICATIONS LTD.

RUMBRIDGE ST., TOTTON
SOUTHAMPTON SO4 4DP

Telex: 477351 SMCMM G
Tel: Totton (0703) 867333

WW - 043 FOR FURTHER DETAILS

SALE*

P.&R. COMPUTER SHOP

SALE*

IBM GOLFBALL PRINTERS from £70 EACH + V.A.T.

INTERFACE FOR IBM GOLFBALL £40 + V.A.T.
*BRAND-NEW LA36 DEC WRITERS - SALE £200 EACH + V.A.T.
CENTRONIC 779 PRINTERS - £325 + V.A.T.
CENTRONIC 781 PRINTER - £350 + V.A.T.
POWER UNITS, 5-VOLT 6-AMP - £20 EACH
FANS, PCBs, KEYBOARDS AND LOTS MORE
8-INCH IBM FLOPPY DISC DRIVES.

COME AND LOOK AROUND

SALCOTT MILL, GOLDHANGER ROAD
HEYBRIDGE, MALDON, ESSEX
PHONE MALDON (0621) 57440

WW - 025 FOR FURTHER DETAILS

CLEF ELECTRONIC MUSIC

PIANOS



SPECIALISTS SINCE 1972
DOMESTIC OR STAGE
SIX OR 7 1/4 OCTAVES
KITS OR MANUFACTURED

The most advanced form of touch-sensitive action simulating piano key inertia by patented technique.

Four mixable voices for serious tone variation plus electronic chorus and flanger effects

Component Kits include Keyboard.

Full Kits further contain: Cabinets, Harness, Power Amp and Speaker.

DOMESTIC PRICES		
£	SIX	7 1/4
Comp	234	266
Full	398	442
MFD	620	695



Kit
£314
Mfd
£449

VOCAL & INSTRUMENTAL SOLOISTS!

BAND-BOX
An Electronic Backing TRIO Drums, Bass & Chord Instrument. User Programmable for 50-100 scores, using microprocessor.

MASTER RHYTHM
User Programmable DRUM MACHINE
Twenty-four patterns.
Eight parallel tracks.
Twelve instruments sequence operation.



£79 KIT £119 BUILT

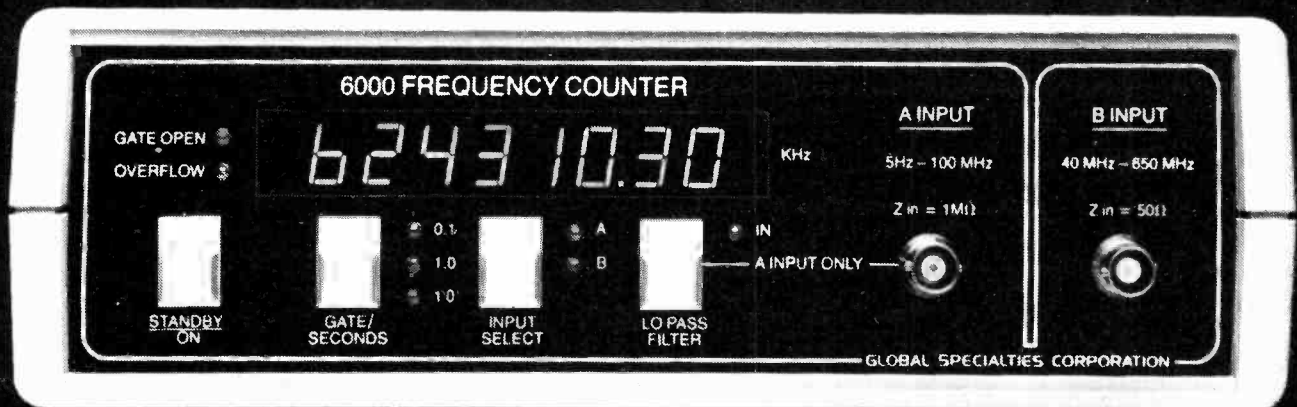
Write or Phone for full details of our range of high quality Kit and manufactured Electronic Musical Instruments. Prices include V.A.T., Carr. & Ins and we operate Telephone BARCLAY-CARD/ACCESS.
Competitive EXPORT Quotations given.

CLEF PRODUCTS (ELECTRONICS) LIMITED
Dept. W, 44a Bramhall Lane South
Bramhall, Stockport, Cheshire SK7 1AH
061-439 3297

WW - 014 FOR FURTHER DETAILS

Count on quality

THE NEW **GSC** 6000 FREQUENCY COUNTER



- 5Hz to 650MHz range
- Switchable low-pass 60kHz filter
- Selectable 0.1, 1.0 and 10-second gate times
- Easy-to-Read 8-digit LED display
- Simple touch-button controls
- Streamlined front panel

Accurate frequency measurements need no longer cost the earth. Because the GSC 6000 now offers precision measurement capabilities, plus simplicity and flexibility, at a cost of only £274.25.

The Model 6000 is a high-precision 650MHz frequency counter aimed fairly and squarely at any section in the electronics marketplace where accurate frequency measurements are required.

The 6000's combination of accuracy, versatility and state-of-the-art design makes it ideal for those difficult measurements in engineering labs., quality-control departments and service centres, and its attractive price places it firmly within the scope of the hobbyist market.

Just look at the Model 6000's basic specification - a full 650MHz frequency counter boosted by such facilities as a switchable low-pass filter to prevent interference from high-frequency noise, a bright LED display with a built-in contrast-enhancement filter and leading-zero blanking, and simple pushbutton-activated selection of inputs, gate times, and filters.

Applications? You name them - anything from measurements on transmitter frequencies to timebase checks on micro-processor systems. If you're not yet convinced that the Model 6000 is the state-of-the-art frequency counter for all electronics applications, call us today. Even if you are, still call us - you'll be delighted with the results.

GLOBAL SPECIALTIES CORPORATION



GSC (UK) Limited

Freeport-Saffron Walden, Essex CB11 3AQ Tel: Saffron Walden (0799) 21682 Telex: 817477

WW - 026 FOR FURTHER DETAILS

CX80 COLOUR MATRIX PRINTER

New low price
£795 + V.A.T.

At last a low-cost Colour Matrix Printer for Text, Graphics, Histograms, Colour VDU Dumps, etc.

Colour printout is quickly assimilated, makes graphics more understandable and is an ideal medium for the presentation of complex data or concepts.



Compatible with most microprocessors, prints in 7 colours – sophisticated internal programme makes the CX80 easy to use.

Dot Addressable + 15 user programmable characters, 96 ASCII and 64 graphics characters in rom. Centronics interface with RS232 and IEEE488 options. Apple II interface gives dot for dot colour dump. New viewdata interface prints out two pages side by side in full colour. See Prestel 200650.

The CX80 is a product of our own design and development laboratories. It represents a British breakthrough in colour printer technology. Colour brochure on request. OEM pricing available.

INTEGREX LIMITED

Portwood Industrial Estate, Church Gresley
Burton-on-Trent, Staffs DE11 9PT
Burton-on-Trent (0283) 215432. Telex: 377106

Building a microprocessor board dedicated to a specific machine or task is just one of the many projects that can be undertaken with the ELE microelectronic and microprocessor teaching system.

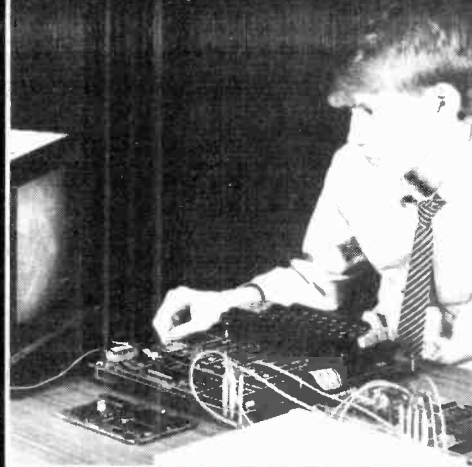
A complete range of projects can be taught, from building simple electronic circuits to advanced engineering applications such as intelligent robotics.

Features

- **Expandable** - buy what you want when you want
- **Modular** - interchangeable components throughout
- **Structured** - provides a complete educational programme
- **Ready to use** - no extras to buy
- **Comprehensive** - over 50 items of equipment in the system

Are you dedicated?

Our system is . . .



For further information and a free brochure, contact ELE at the address below:

ELE

ELE International
Eastman Way
Hemel Hempstead
Hertfordshire
HP2 7HB
England

Tel: (0442) 50221
Telex: 825239

WW - 015 FOR FURTHER DETAILS

PRINTED CIRCUITS

FOR WIRELESS WORLD PROJECTS

Audio compressor/limiter—Dec. 1975—1 s.s. (stereo)	£4.25
Cassette recorder—May 1976—1 s.s.	£5.00
Audio compander—July 1976—1 s.s.	£4.25
Audio preamplifier—November 1976—2 s.s.	£8.50
Additional circuits—October 1977—1 s.s.	£4.00
Stereo coder—April 1977—1 d.s. 2 s.s.	£8.50
Low distortion disc amplifier (stereo)—September 1977—1 s.s.	£2.00
Low distortion audio oscillator—September 1977—1 s.s.	£3.50
Synthesized f.m. transceiver—November 1977—2 d.s. 1 s.s.	£12.00
Morsemaker—June 1978—1 d.s.	£4.50
Metal detector—July 1978—1 d.s.	£3.75
Oscilloscope waveform store—October 1978—4 d.s.	£18.00
Regulator for car alternator—August 1978—1 s.s.	£2.00
Wideband noise reducer—November 1978—1 d.s.	£5.00
Versatile noise generator—January 1979—1 s.s.	£5.00
200MHz frequency meter—January 1979—1 d.s.	£7.00
High performance preamplifier—February 1979—1 s.s.	£5.50
Distortion meter and oscillator—July 1979—2 s.s.	£5.50
Moving coil preamplifier—August 1979—1 s.s.	£3.50
Multi-mode transceiver—October 1979—10 d.s.	£35.00
Amplification system—Oct. 1979—3 nreamp 1 poweramp	£4.20 each
Digital capacitance meter—April 1980—2 s.s.	£7.50
Colour graphics system—April 1980—1 d.s.	£18.50
Audio spectrum analyser—May 1980—3 s.s.	£10.50
Multi-section equalizer—June 1980—2 s.s.	£8.00
Floating-bridge power amp—Oct. 1980—1 s.s. (12V or 40V)	£4.00
Nanocomp 6802 or 6809—Jan., July, 1981—1 d.s. 1 s.s.	£9.00
Cassette interface—July, 1981—1 s.s.	£1.50
Eprom programmer—Jan., 1982—1 d.s.	£4.50
Logic probe—Feb., 1981—2 d.s.	£6.00
Modular frequency counters—March, 1981—8 s.s.	£20.00
Opto electronic contact breaker (Delco)—April, 1981—2 s.s.	£4.00
CB synthesiser—Sept. —1 d.s.	£6.00
Electronic ignition—March, 1982—1 s.s.	£4.00

Boards and glassfibre roller-tinned and drilled. Prices include VAT and UK postage. Airmail add 30%, Europe add 10%. Insurance 10%. Remittance with order to:

**M. R. SAGIN, NANCARRAS MILL, THE LEVEL
CONSTANTINE, FALMOUTH, CORNWALL**

WW - 013 FOR FURTHER DETAILS

Toroidal Transformers

THE COTSWOLD
"BUDGET RANGE" OFFERS
BUILT-IN QUALITY COUPLED
TO A RELIABLE
DELIVERY SERVICE
MOST TYPES
FROM STOCK

IEC 65
VDE 0550
BS 415
TO ORDER

PHONE
TELEX, WRITE
FOR DATA SHEET
AND PRICE LIST

Cotswold Electronics LTD.

Unit T1, Kingsville Road, Kingsditch Trading Estate, Cheltenham GL51 9NX

Tel: 0242-41313

Telex: 897106

Sales Office in U.S.A.
AVEL LINDBERG INC.
Peacock Alley 116, 1 Padanaram Road, Danbury, CT 06810 U.S.A.
203-797-8698. Telex: 710-456-9984

WW - 044 FOR FURTHER DETAILS

CALL IN AND SEE
FOR YOURSELF

AUDIO ELECTRONICS

ALL
PRICES
INCLUDE
VAT

TEST EQUIPMENT CENTRES

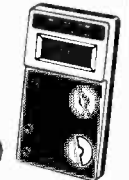
ALL MODELS ON DISPLAY
OPEN SIX DAYS A WEEK

RETAIL • MAIL ORDER • EXPORT • INDUSTRIAL • EDUCATIONAL

DIGITAL MULTIMETERS (UK C/P Free)



ALL MODELS
3 1/2 DIGIT
UNLESS
STATED



HAND HELD	With free carry case
KD25C=13 range 0.2A DC 2 meg ohm	£24.95
KD30S=16 range 10A DC 2 meg ohm	£29.95
KD30C=26 range 1A AC/DC 20 meg ohm	£34.95
KD55C=28 range 10A AC/DC 20 meg ohm	£39.95
6010+ 28 range 10A AC/DC 20 meg ohm	£34.40
7030+ As 6010 but 0.1% basic	£41.30
KD615=16 range 10A DC 2 meg plus Hfe tester	£39.95
189M 30 range 10A AC/DC 20 meg plus Hfe tester	£69.95
HAND HELD AUTO RANGE	
DM2350=21 range 10A AC/DC 20 meg ohm (Miniature)	£49.95
HD30 16 range 0.2A AC/DC 2 meg ohm	£41.95
HD30/B As above plus cont. buzzer	£44.50
HD31 22 range 10 AC/DC 2 meg ohms plus cont. buzzer	£58.95
+Optional carry case £2.95	

BENCH MODELS

TM353= 27 range LCD 2A AC/DC	£86.25
TM355= 29 range LED 10A AC/DC	£86.25
TM351= 29 range LCD 10A AC/DC	£113.85
2001 28 range LCD 10A AC/DC plus 5 range Cap. Meter with case	£108.00
TM451 4 1/2 digit LCD every facility (0.02%)	£171.00
1503A 4 1/2 digit LCD every facility (0.05%)	£171.00
1503M 4.03% basic version of above	£189.00
+Optional carry case £6.84	

BECKMAN HAND HELD

T100 34 range 10A AC/DC 20 meg ohm	£56.35
T11D As above plus cont. test etc.	£67.85

FREQUENCY COUNTERS



PFM200A 200 MHz hand held pocket 8 digit LED	£67.50
8110A 8 digit LED bench 2 ranges 100 MHz	£77.00
8610B 9 digit LED bench 2 ranges 600 MHz	£113.85
8000B 9 digit LED 3 ranges 1 GHz	£178.00
TF040 = 8 digit LCD 40 MHz	£126.50
TF200 = 8 digit LCD 200 MHz	£166.75
+Optional carry case £6.84	
Prescalers - Extended range of most counters	
TP600 600 MHz	£43.00
TP1000 1 GHz	£74.00

SIGNAL GENERATORS



FUNCTION - All sine/square/triangle/TTL etc	
TG100 1 Hz - 100 KHz	£90.00
TG102 0.2 Hz - 2 MHz	£166.75
PULSE	
TG105 Various facilities 5 Hz - 5 MHz	£97.75
AUDIO - Multiband Sine/Square	
LAG27 10 Hz to 1 MHz	£90.85
AG202A 20 Hz to 200 KHz (List £94.50)	£83.50
RF	
SG402 100 KHz to 30 MHz (List £79.50)	£69.50
LSG17 100 KHz to 150 MHz	£79.35

ELECTRONIC INSULATION TESTER

YF501 500 V/0-100m with carry case	£63.00
------------------------------------	--------

MULTIMETERS (UK C/P 65p)

KRT 100 1K/V 12 range pocket	£5.95
HM102Z 20 K/V 22 range & cont buzzer	£14.95
ETC5000/5001 21 ranges, 50K/V, Range doubler, 10A DC	£18.95
TMK500 23 ranges 30K/V, 12A DC plus cont. buzzer	£24.75
NH56R 20K/V, 22 range pocket	£10.95
ETU 102 14 range 2K/V pocket	£6.50
830A 26 range 30K/V, 10A AC/DC overload protection, etc.	£23.95
360TR 23 range 100K/V, Large scale 10A AC/DC plus Hfe	£39.95
AT1020 18 range 20K/V, Deluxe plus Hfe tester	£18.95
YN 360TR 19 range 20K/V plus Hfe tester	£15.95

VARIABLE POWER SUPPLIES (UK C/P £1.00)

PP241 0/12/24V 0/1A	£35.00
PP243 3 amp version	£59.95
PS 1307S 8/15V 7 amp twin meter	£24.95

DIGITAL THERMOMETER

TH301 LCD 50 C to -750 with thermocouple	£68.43
--	--------

AC CLAMP METER

ST300 0/300A 0/600 VAC, 0/1 Kohm 9 ranges With carry case (UK C/P 65p)	£28.50
--	--------

LOGIC PROBES

LP10 10 MHz	£28.50
LDP076 50 MHz with carry case and accessories	£71.30

OSCILLOSCOPES



Full specification any model on request. SAE by post.	
HM Series NAMEG: SC THANDAR: CS TRIO: 3' CROTECH 'DT' Safgan	
SINGLE TRACE UK C/P £3.00	
3030 15 MHz 5mV, 95mm tube plus component tester C/P £3.00	£177.10
SC110A Miniature 10 MHz battery portable Post free	£171.00
HM103 15 MHz 2mV, 6 x 7 display plus component tester C/P £3.00	£181.70
+Optional carry case £6.84 AC adaptor £6.69 Nicads £12.50	
DUAL TRACE (UK C/P £4.00)	
DT 520 Dual 20 MHz	£241.50
HM203/4 Dual 20 MHz plus component tester	£287.50
CS1562A Dual 10 MHz (List £321.00)	£269.50
3131 Dual 15 MHz - component tester	£276.00
CS1566A Dual 20 MHz All facilities (List £401.35)	£349.50
HM204 Dual 20 MHz plus component tester sweep delay	£419.75
CS1820 Dual 20 MHz with extra facilities (List £508.30)	£485.00
OPTIONAL PROBE KITS (List £508.30)	
X1 £7.95 X1- X10 £10.50 X10 £9.45 X100 £16.95	

HIGH VOLTAGE METER

Direct reading 0/40 KV 20K/Volt (UK C/P 65p)	£23.00
--	--------

DIGITAL CAPACITANCE METER

0.1 pF to 2000 mfd LCD 8 ranges OM6013	£52.75 (Carry case £2.95)
--	---------------------------

TRANSISTOR TESTER

Direct reading PNP-NPN, etc. TC1 (UK C/P 65p)	£21.95
---	--------

AUDIO ELECTRONICS

Cubegate Limited

301 EDGWARE ROAD, LONDON W2 1BN. TEL: 01-724 3564

ALSO AT HENRY'S RADIO,

404/406 EDGWARE ROAD, LONDON W2. TEL: 01-723 1008

FREE CATALOGUES
SEND LARGE
SAE (UK 20p)

ALL
PRICES
INCLUDE
VAT

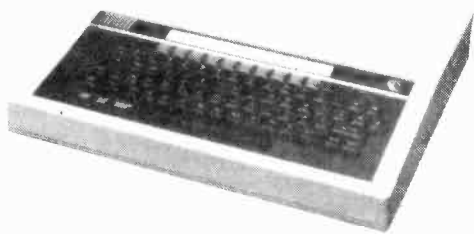
Order by Post with CHEQUES/ACCES-
SIBLE or you can telephone your order.
All orders despatched within 5 days
unless advised.

WW - 005 FOR FURTHER DETAILS

BBC Micro Computer System

OFFICIAL DEALER

Please phone for availability



BBC Model B £399
(incl. VAT)
Carr £8/unit
Model A to Model B
upgrade kit **£50**
Fitting charge **£15**
Individual upgrades also
available
TELETEXT ADAPTOR £195
WORDWISE 8K ROM £39
TORCH Z80 DISC PACK £780
WORD PROCESSOR 'VIEW'
16K ROM £52

FLOPPY DISC INTERFACE
incl. 1.2 Operating System
£95 & £20 installation

BBC FLOPPY DISC DRIVES
Single Drive 5¼" 100K **£235+£6 carr.**
Double Drive 5¼" 800K **£799+£8 carr.**

BBC COMPATIBLE DRIVES
These drives are self-powered and supplied
in BBC matching colour cases.
SINGLE: 100K **£180**; 200K **£250**; 400K **£330**
DUAL: 200K **£350**; 400K **£475**; 800K **£590**
DRIVE CABLES: SINGLE **£8** DUAL **£12**
DISC MANUAL & FORMATTING DISKETTE
£17.50

BUSINESS, EDUCATION AND FUN SOFTWARE IN STOCK—

Phone or send for our BBC leaflet

CASSETTE RECORDER

BBC Compatible Cassette Recorder with Counter and Remote Control
£26.50 + £1.50 carr.
Cassette Leads **£3.50**
Computer Grade Cassettes
£0.50 each. £4.50 for 10 + £1 carr
Sanyo Data Recorder Model DB1101
£39 + £1.50 carr.

MONITORS

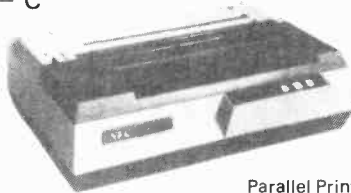
MICROVITEC 1431 14in Colour Monitor **£249+£8 carr**
MICROVITEC 2031 20in Colour Monitor **£319+£8 carr**
KAGA 12in RGB Monitor **£255+£8 carr**
Lead for KAGA/SANYO RGB **£10**
SANYO HI RES GREEN MONITOR **£99+£6 carr**
SANYO HI RES RGB MONITOR **£445+£8 carr.**

BBC BOOKS (no VAT)

Basic on BBC **£5.95**
30 House Basic **£5.95**
Programming the BBC Micro **£6.50**
BBC Micro An Expert Guide **£6.95**
Assy Lang Prog. for BBC **£8.95**
6502 Machine Codes for Beginners **£6.95**

NEC PC 8023 BE - C

100CPS, 80 cols
Logic Seeking, Bi-directional,
Forward and Reverse
Line Feed,
Proportional Spacing,
Auto Underline,
Hi-Res and Block
Graphics, Greek Char.
Set.
Only **£345 + £8 carr.**



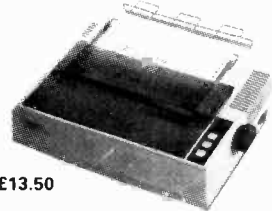
PRINTERS

SEIKOSHA GP 100A

80 cols 30 CPS
Full ASCII and Graphics
10" wide paper
Now only **£180 + £6 carr.**
GP250A **£235 + £8 carr.**

Parallel Printer lead for BBC/Atom to most printers **£13.50**
Variety of interfaces, ribbons in stock.
2,000 fan fold sheets 9½" x 11" **£13.50 + £3 p&p**

EPSON RX80 and FX80



RX 80 100CPS 80 col
Tractor Feed **£298**

FX80 160CPS 80 col
F & T Feed **£389**

MX100 F/T3 **£425**
(Carr./printer **£8**)

Full specification on request

RUGBY ATOMIC CLOCK

This Z80 micro controlled clock/calendar receives coded time data from NPL Rugby. The clock never needs to be reset. The facilities include 8 independent alarms and for each alarm there is a choice of melody or alternatively these can be used for electrical switching. A separate timer allows recording of up to 240 lap times without interrupting the count. Expansion facilities provided.

See July/August '82 ETI for details.
Built and tested **£145+£2 p&p**

MICROTIMER

6502 Based Programmable clock timer with
★ 224 switching times/week cycle
★ 24-hour 7-day timer
★ 4 independent switch outputs directly interfacing to thyristor/triacs
★ 6 digit 7 seg. display to indicate real time, ON/OFF and Reset times
★ Output to drive day of week switch and status LEDs.
Full details on request. Price for kit **£57**

CONNECTOR SYSTEMS

I.D. CONNECTORS

(Speedblock Type)			
No of ways	Header	Recep.	Edge Conn.
10	90p	85p	120p
20	145p	125p	195p
26	175p	150p	240p
34	200p	160p	320p
40	220p	190p	340p
50	235p	200p	390p

D CONNECTORS

	No. of ways			
	9	15	25	37
MALE Solder	80p	105p	160p	250p
Angled	150p	210p	250p	365p
FEMALE				
Solder	105p	160p	200p	335p
Angled	185p	215p	290p	440p
Hoods	90p	85p	90p	100p
IDC 25-way plug	385p	Socket	450p	

TEXTPOOL ZIF

SOCKETS	24 pin £5.75
	40 pin £9.75

DIL SWITCHES

4-way	70p	8-way	90p
6-way	85p	10-way	140p

JUMPER LEADS

24" Ribbon Cable with Headers				
	14-pin	16-pin	24-pin	40-pin
1 end	145p	165p	240p	350p
2 ends	210p	230p	345p	540p

24" Ribbon Cable with Sockets				
	20-pin	26-pin	34-pin	40-pin
1 end	160p	200p	280p	300p
2 ends	290p	370p	480p	525p

Ribbon Cable with D. Conn.	
25-way Male	500p
Female	550p

RS 232 JUMPERS

(25-way D)	
24" Single end Male	£5.00
24" Single end Female	£5.25
24" Female-Female	£10.00
24" Male-Male	£9.50
24" Male-Female	£9.50

DIL HEADERS

	Solder Type	IDC Type
14pin	40p	100p
16pin	50p	110p
24pin	100p	150p
40pin	200p	225p

AMPHENOL CONNECTORS

36-way plug Centronics Parallel Solder **£5.25** IDC **£4.95**

36-way socket Centronics Parallel Solder **£5.50** IDC **£5.20**

24-way plug IEEE Solder **£5** IDC **£4.75**

24-way socket IEEE Solder **£5**

RIBBON CABLE

(Grey/meter)	
10-way	40p
16-way	60p
20-way	85p
26-way	120p
34-way	160p
40-way	180p
50-way	200p
64-way	280p

EURO CONNECTORS

DIN 41617	Plug	Skt.
21-way	160p	185p
31-way	170p	170p

DIN 41612	220p	275p
2x32-way St. Pin	275p	320p
2x32-way Ang. Pin	260p	300p
3x32-way Ang. Pin	375p	350p

14-pin	275p	16-pin	£3
40-pin	£6		

EDGE CONNECTORS

	0.1"	0.156"
2x18-way	—	140p
2x22-way	190p	240p
2x23-way	175p	—
2x25-way	225p	220p
2x28-way	190p	—
1x43-way	260p	—
2x43-way	365p	—
1x77-way	600p	—
5100 Conn	—	600p

DISC DRIVES FOR THE FORTH COMPUTER

5¼" Teac FD55 Slim Line Mechanisms.
FD55A 40 track SSDD 250kbytes unformatted
Bare: **£135**; Cased: **£155**
2 x FD55A 40 track SSDD 500kbytes unformatted
Cased x psu **£350**
FD55E 80 track SSDD 500kbytes unformatted
Bare: **£180**; Cased: **£205**
2 x FD55E 80 track SSDD 1 Mbyte unformatted
Cased + psu **£475**
5¼" Mitsubishi M4853 Slim Line mechanism 80 track
DSDD 1 Mbyte unformatted Bare: **£225**; Cased: **£245**
2 x M4853 2 Mbytes Cased + psu **£590**
Single drive cable **£8**; Dual Drive cable **£12**
Other parts for FORTH COMPUTER available send SAE for details.

SOFTY II INTELLIGENT PROGRAMMER

The complete microprocessor development system for Engineers and Hobbyists. You can develop programs, debug, verify and commit to EPROMS or use in host computer by using softy as a romulator. Powerful editing facilities permit bytes, blocks of bytes changed, deleted or inserted and memory contents can be observed on ordinary TV. Accepts most +5v Eproms.
Softy II complete with PSU, TV Lead and Romulator lead **£169**

★ SPECIAL OFFER ★

2532	350p
2732	350p
2764-25	450p
27128-25	£25
4116-2	80p
4164-2	450p
6116P	350p

UV ERASERS

UV1B up to 6 Eproms **£47.50**
UV1T with Timer **£60**
UV140 up to 14 Eproms **£61.50**
UV141 with Timer **£78**
(Carr £2/eraser)
All erasers are fitted with mains switches and safety interlocks.

'WIRELESS WORLD' PROJECTS

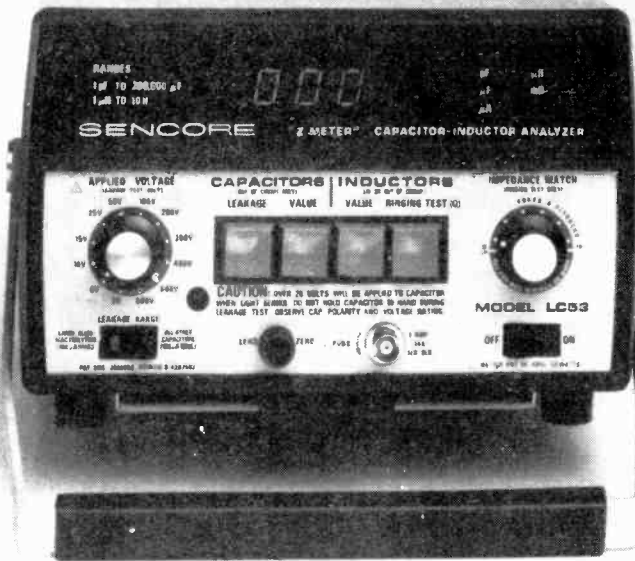
Semiconductors inc. I.C.s., Transistors, Displays, Connectors and Sockets for most projects are stocked by us

BOOKS

(No VAT p&p £1)	
CMOS Cook Book	£7.75
CRT Controller H/Book	£7.95
Programming the Z80	£11.50
Z80 Microcomp Handbook	£6.95
Programming the 6502	£10.25
6502 Assy. Lang.	£12.10
6502 Applications	£10.20
6502 Software Design	£9.05
6502 Games	£10.25
Large selection of databooks, interfacing books, books on BBC, etc in stock. Ask for our list.	ww-12

NEW COMPREHENSIVE CATALOGUE AVAILABLE
PLEASE SEND FOR PRICE LIST

Test it on Test on Site



The "Z Meter" capacitor-inductor Analyser, from Sencore, now gives you the fastest, most accurate means of batch testing even from semi-skilled operators — **and we're prepared to come round and prove it.**

For an on-site test and more information:-
Mike Dawson 01-897 6446.



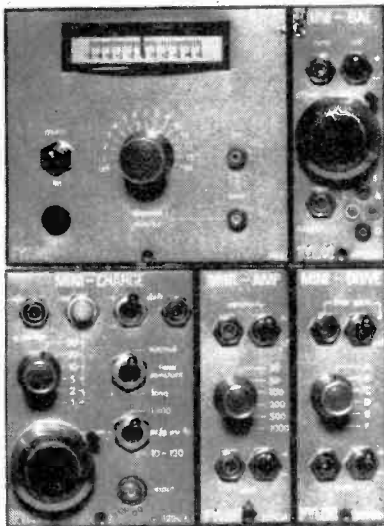
**Fieldtech
Heathrow**

Fieldtech Heathrow Limited
 Huntavia House 420 Bath Road
 Longford Middlesex UB7 0LL
 Telex: 23734 FLDTEC G

WW - 057 FOR FURTHER DETAILS

FYLDE

TRANSDUCER and RECORDER
AMPLIFIERS and SYSTEMS



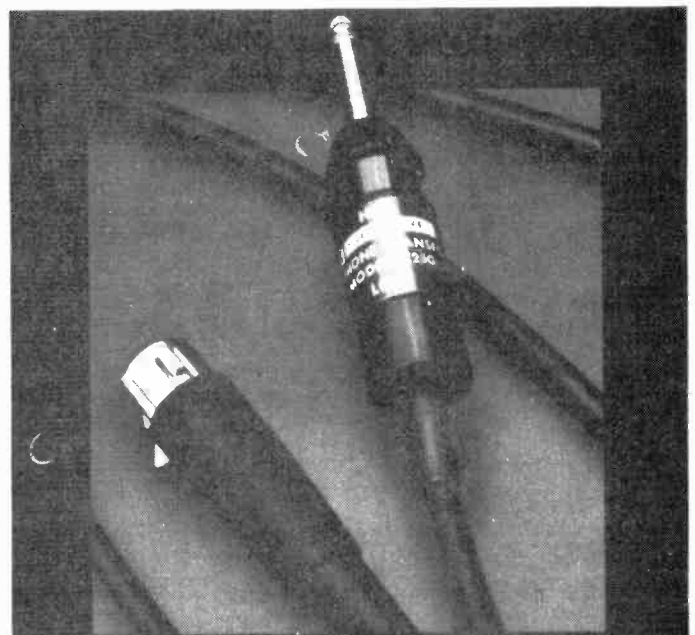
reliable high performance & practical controls. individually powered modules—mains or dc option single cases and up to 17 modules in standard 19" crates small size—low weight—realistic prices.

FYLDE

Fylde Electronic Laboratories Limited.

49/51 Fylde Road Preston
 PR1 2XQ
 Telephone 0772 57560

WW - 018 FOR FURTHER DETAILS



Success means having the right connections.

SHURE

You simply can't make it any clearer.

Write for full colour accessory catalogue to Department WW
MW International 3-5 Eden Grove, London N7 8EQ. Tel: 01-607 2717.

WW - 022 FOR FURTHER DETAILS

Editor:
PHILIP DARRINGTON
01-661 3128

Deputy Editor:
GEOFFREY SHORTER, B.Sc.
01-661 8639

Technical Editor:
MARTIN ECCLES
01-661 8638

News Editor:
DAVID SCOBIE
01-661 8632

Drawing Office Manager:
ROGER GOODMAN
01-661 8690

Technical Illustrator:
BETTY PALMER

Advertisement Manager:
BOB NIBBS, A.C.I.I.
01-661 3130

BARBARA MILLER
01-661 8640

JULIAN BIDLAKE
01-661 8641

Northern Sales:
HARRY AIKEN
061-872 8861

Midland Sales:
BASIL MCGOWAN
021-356 4838

Classified Manager:
BRIAN DURRANT
01-661 3106

IAN FAUX
01-661 3033

Production:
BRIAN BANNISTER
(*Make-up and copy*)
01-661 8648

Publishing Director
DAVID MONTGOMERY
01-661 3241

Design competition

Although it is too early yet to know whether the outcome of our design competition will be successful, it is at least possible to say that the number of entries and variety of devices under development give grounds for encouragement.

From boxes intended to identify the contents of tins of food to quite exotic equipment concerned with cars, a great deal of imagination is being demonstrated by those who have registered their intention of entering the competition: there are more examples on page 67. It is possible, of course, that some of the ideas will remain exactly that — ideas. But the spur of a rather large money prize and the somewhat more intangible satisfaction of making people's lives more convenient and pleasurable will, without doubt, convert a significant number of nebulous notions into hardware.

It is not going to be easy. One of the hardest parts of a wide-open competition of this kind is to decide exactly what to design. Many needs can be better satisfied by a simple mechanical device than by a complicated piece of electronics: good judgement in this decision can be the most telling aspect of an entry. The next hurdle comes when it is discovered that the realization of an idea is not as straightforward as it was at first imagined, and the temptation to change one's mind

appears. There is nothing wrong with that, if there is still time before October to complete the work, but it is often the case that this approach leaves one with two half-baked projects instead of one well-done one. It is surprising how a little gentle research in the literature can straighten one out, when to all intents and purposes stuck fast.

The last date for registration is June 30. You do not have to present entries at that time: simply register your intention to do so before October. A panel of judges experienced in both engineering and user aspects of devices to assist handicapped people will take some time to arrive at their decisions, during which some entrants will be asked to come to London to discuss their designs and perhaps take part in a prize-giving ceremony, which may well be televised.

There are six prizes, but we expect to describe many more entries than the winning six during the subsequent year, so that even one of the designs not chosen as a winner could attract attention and may be adopted as a commercial proposition.

This is an interesting, socially valuable and possibly profitable competition. A large number of readers have already entered: there is still time for a great many more. You have a couple of weeks left to make up your mind.

COMMUNICATIONS

Spectrum battles

Although the US Congress agreed late last year to the ratification of the WARC 1979 "Radio Regulations", many influential American groups continue to express disenchantment with the whole process of international frequency allocation and ITU procedures. Among the critics have been members of FCC who were most unhappy at the proceedings at the ITU Plenipotentiary Conference at Nairobi in Autumn 1982, and the "needless politicization" of the decision making. Although it is being suggested that the US should remain in the ITU it is being urged that, if "politicization" continues, the US should have available "a fully developed and workable alternative organization". However Kalmann Schafer, international affairs adviser to the FCC, believes that few important US interests have been surrendered and that "the day will come when the Third World realizes that disruption of ITU conferences will be against their own best interests".

The sort of problems that face the forthcoming ITU Conference on DBS planning for Region 2 is shown by the fact that both the UK and Argentina have listed the Falkland Islands – with 1800 residents and a lot of sheep – as an area they intend to serve by DBS. One suspects it might be less costly to provide every home with a v.c.r. and a large number of cassettes, or cable every habitation! Meanwhile the mere idea of having two different international spectrum regulatory bodies would seem the sure path to chaos.

World television?

That chaos is already close on h.f. was emphasised recently by Douglas Muggeridge, m.d. of BBC External Services when he delivered a blistering attack on the jamming of the broadcast bands by the Soviet Union and Eastern Bloc countries. He claimed that up to 80 per cent of usable frequencies are currently affected during peak listening hours and warned of an imminent breakdown of "law and order on the airwaves". Root of the trouble, of course, is broadcasting across frontiers without the agreement of the target country.

By 1986 the question of "world television" whereby direct broadcast satellites will send pictures across frontiers will be of practical concern: and despite what is sometimes suggested deliberate jamming of DBS transmissions is possible and would affect viewers in the whole of the coverage area. For years, international organizations have been discussing questions of "cultural or economic imperialism" and the potential cultural damage and loss of the "unique identity of a population after exposure to outside ideas and lifestyles". On the other hand Article 10 of the European Convention states: "Everyone

has the right to freedom to hold opinions and to receive and impart ideas without interference by public authority and regardless of frontiers". But what is a right to free speech to some, is malevolent propaganda to others!

In reality, of course, international regulation of the radio spectrum and the use of the airwaves to broadcast to other than your own people have been inconclusively debated for over 50 years. Did not the old International Broadcasting Union in May 1933 – on the initiative of a BBC plagued by Radio Luxembourg and Captain L. F. Plugge's Radio Normandie – resolve that the systematic diffusion of programmes or messages specifically intended for listeners in another country should be considered an "inadmissible act" – though such a resolution must have seemed a poor breakwater against the rising flood of transmissions from Zeesen, Radio Roma and Radio Moscow. It was not long before the UK was plunging into foreign-language broadcasting. Even today some countries argue that there should be no transmissions of "politically subversive or culturally disruptive material" across frontiers "without the prior consent of the receiving State", and defend their right to jam transmissions they find offensive while themselves engaging in massive external broadcasting. The USSR has ground-wave jammers in all Soviet cities of more than 200,000 people and rather less effective skywave jamming in rural areas. The Western Nations, it would seem, are attempting to counter jamming by engaging in the power race and multiple-frequency techniques that in themselves contribute to the destruction of orderly spectrum planning. The BBC, for example, is currently seeking planning permission to install at the former Post Office receiving station at Bearley, Warwickshire six 300kW h.f. transmitters primarily for serving Eastern Europe. Today few people distinguish between h.f. and/or m.f. broadcasting in your own language (e.g. BBC World Service), surely a laudable service, and the one-time "inadmissible" practice of foreign-language broadcasting!

Black broadcasting

Governments are not always content even with straight-forward external broadcasting, as witness the take-over of one of the 250kW transmitters on Ascension Island last year and similar action during the Suez affair in 1956. A detailed study of radio skulduggery has recently been published by Ellic Howe, an eminent typographer whose special skills were used in World War 2 to forge leaflets and other printed material on behalf of the Political Warfare Executive. His book "The Black Game" (Michael Joseph, 1982) provides much new information on P.W.E.'s many "black" radio services and the building in

1942 of the 600kW "Aspidistra" m.f. transmitter at Crowborough, a transmitter that was finally retired last year. Much of the technical detail has been provided by Harold Robin who for many years was chief engineer of the Diplomatic Wireless Service but who previously worked for Sir Richard Gambier-Parry's wartime "Special Communications".

Ellic Howe lists no less than 48 different P.W.E. "black" services directed at 15 different enemy or enemy-occupied countries. Many of the programmes were recorded at "Simpon's" (Wavendon Towers) and later Milton Bryant. Transmissions were made over four RCA 7.5kW h.f. transmitters at Gawcott and Pots-grove, near Bletchley. In "black" broadcasting it is made to appear that the station is located in the target country. In the early days some French scripts were written by Lisa Towse, G-P's personal secretary and future wife. GP himself, moved out of Whaddon Hall into Wavendon Towers. "Aspidistra" was a 500kW RCA transmitter that had been built for WJZ, New Jersey but refused an FCC licence under the 50kW maximum-power rule. Harold Robin managed to get it up to 600kW and it was installed at a 70-acre site high in the Ashdown Forest, in an underground building. A Canadian Army road-building unit, kept going by copious supplies of beer, with six bulldozers and a lot of explosives, made the necessary "very big hole" in the ground. Elsewhere Aspidistra proved a constant source of inter-departmental squabbles, not least with the BBC who wanted to run it.

G-P, ex-BBC, ex-Philco, supported by Harold Robin, who had been endeavouring immediately pre-war to set up a commercial station in Liechtenstein directed at English audiences, were not disposed to hand over their "raiding Dreadnought of the Ether" to the Corporation's engineers – and indeed Aspidistra remained in the control of the FCO for its 40 years of operational use, though much of the time carrying the BBC External Service programmes.

E.m.p. bomb?

In the December 1981 issue of *WW* Kenneth Cook of the M-O Valve Co. Ltd drew attention to his company's gas-filled protection devices that operate in less than one nanosecond. Such devices he claimed "will protect solid-state receivers and telephone equipment in a simulated e.m.p. (electromagnetic pulse) environment". E.m.p. is the massive pulse that follows the explosion of a nuclear device high above ground.

Despite this assurance that effective protection against e.m.p. is available, there can be little doubt that the potential threat to radio communications, computer installations and telecommunications posed by

COMMENTARY

high-altitude (40 to 400km) nuclear explosions is still being taken very seriously in many parts of the world. Even if military installations can be effectively "hardened" there remains the problem of the enormous number of civilian installations.

Now, according to recent press reports from Washington, the US Government is investigating the possibility of developing an atomic weapon designed specifically to provide enhanced e.m.p. as "a defensive system that would hurt the enemy without necessarily hurting his people". E.m.p.-bombs could be launched to black-out enemy communications; the Americans are also reported to be currently providing additional shielding against e.m.p. on their B-52 long-range bombers. Similarly scientists at the University of Minnesota are reported to be working on techniques that would not only counter the effects of e.m.p. but could also reduce the effects of solar flares, which can cause radio blackouts, auroral propagation etc, particularly in northern latitudes.

AMATEUR RADIO

DX-disaster

For several decades, there have been an increasing number of "DX-peditions" mounted by radio amateurs in remote and out-of-the-way places. The object has been to permit a well-equipped team of operators to activate one of the rare country callsigns and then make thousands of brief contacts with amateurs all over the world. Funds for such expeditions are often donated by amateurs eager to increase their "countries worked" totals, although there has always been opposition to the technique of making a charge for QSL cards.

Since there is "resident" amateur radio operation in most countries of the world, DX-peditions have increasingly been directed towards smaller, more remote islands some of which are little more than reefs.

In mid-April a German DX-expedition to Spratly Islands, a group of small islands in the China Sea between West Malaysia (Borneo) and Vietnam, ran into problems that caused the death of at least two members of the party. The islands are territories politically in dispute by several countries and appear to be under military occupation by more than one country. As the German vessel approached the islands it was fired on with fatal consequences, and sank, although some survivors were later picked up about 100 miles away in a small boat by a Panamanian ship.

New callsigns

Before long the Home Office expect to be issuing callsigns in the G0, GM0 etc sequences for Class A, and G1, GM1 etc sequences for Class B. The figures 0,1 are the only remaining unused digits since G7, G9 are used for commercial "test and development" licences. The present G6 class B sequence is already up to "W" and G4 class A to "T". When the 0 and 1 sequences are used up it would be possible for the Home Office to issue British amateurs calls with an M-prefix. Both GAA to GZZ and MAA to MZZ are internationally allocated to the UK.

One internationally-recognized radio amateur, Ray Cracknell, Z22JV of Zimbabwe (formerly G2AHU) would welcome either a G or an M callsign when he returns soon to the UK. Ray Cracknell has been, over several decades, one of the most successful pioneers of transequatorial propagation (t.e.p.) and has been responsible for uncovering, with the help of his equipment and a series of "beacons" which he has built, a wealth of information about the tropical ionosphere, much of it previously unknown and unsuspected by both professional and amateur researchers. Yet recently when he sought to renew his British licence it was indicated, presumably as the result of a dispute over reciprocal licensing with Zimbabwe, that he would be required to sit an RAE and take a Morse test. One can think of few people deserving of an unhindered re-issue of a licence than Ray Cracknell. Let us hope by the time these notes appear the Home Office will have graciously rescinded such an apparently bureaucratic ruling.

Ionospheric focusing

Although it is now generally accepted that many low-power h.f. transmissions travel long-distances without intermediate ground-reflection by what is termed chordal hop propagation, amateur operators have paid less attention to antipodal-type mechanisms that result in enhanced signals at a point precisely on the opposite side of the globe. Signals travelling along great circle paths all converge on the antipodal point. Amateurs in the UK have no exact antipodal point with which to exchange signals, since this point is in the Pacific Ocean, although UK amateurs have long recognised the consistency of the long-distance paths to Australia and New Zealand, the nearest land-mass to the antipodal point.

Brian Austin, ZS6BKW, writing from the University of the Witwatersrand, Johannesburg notes that South Africans are more fortunate in that they have Hawaii as the antipodal point. He comments: "Over many years I have listened, on and off, to WWVH mainly on 15 MHz. What has struck me lately is that the Fort Collins,

Colorado station, WWV, runs the same power (10kW) and I assume uses similar antennas. Yet WWVH is by far the stronger signal of the two in this country. Could it be because of antipodal focusing or would the fact that Hawaii is a relatively small land mass, and hence the signals may be launched more effectively over the sea water "groundplane" be the reason? "He believes there is still much to be finally discovered about h.f. ionospheric propagation.

Code-free in USA?

Although in late 1982, the president of ARRL, Vic Clark, W4KFC, asked FCC to defer for at least 18 months any action that might lead to a class of amateur licence not requiring a test in the international Morse code, the FCC has subsequently issued a "notice of proposed rule making" for two forms of code-free licence. The first would eliminate the 5wpm test for existing "Technician" licences (above 50 MHz). The second would be an "Experimenter class" licence rather akin to the Canadian "Digital Amateur Class Certificate" but conveying all normal operating privileges on frequencies above 144 MHz. There are no proposals for any form of code-free h.f. licence. Comments on the FCC proposals were due by April 29.

In brief

Harold Ling, G4CCH has made several e.m.e. ("moonbounce") contacts on 1.3GHz using only an 8ft aerial dish and 100 watts of transmitter output. . . . In CQ-TV, R. Platts, G8ZP comments on the "anti-social and selfish" behaviour of some amateur television enthusiasts who make broadband transmissions on 430MHz "in excess of two hours duration". He feels no transmission should last more than 15-20 minutes. . . . John Wood, G3YQC of Rugby, in association with G8VBC, has succeeded in exchanging pictures on 1255MHz with F1EDM at Le Havre, a distance of about 200 miles. . . . The paid-up membership of AMSAT-UK increased from about 1300 to 1700 during 1982. . . . Launching of the Phase IIIB Oscar amateur satellite, set for June 3, has been delayed. . . . Amateurs in north-west England have been experiencing considerable interference on 432 MHz from Syle-dis. . . . Forthcoming mobile rallies: June 26 Longleat Park, Warmminster; July 10 Droitwich High School, Ombersley Road, Droitwich; July 17 RAIBC Picnic at The Fairground, Broadlands Estate, Romsey, Hants, and Camborne Technical College, Camborne, Cornwall; July 24 Anglian rally, Stanway School, Colchester, Essex and McMichael rally, Bells Hill, Stoke Poges, near Slough; July 31 Rolls-Royce Sports & Social Club, Barnoldswick; August 7 RSGB National rally at Woburn.

PAT HAWKER, G3VA

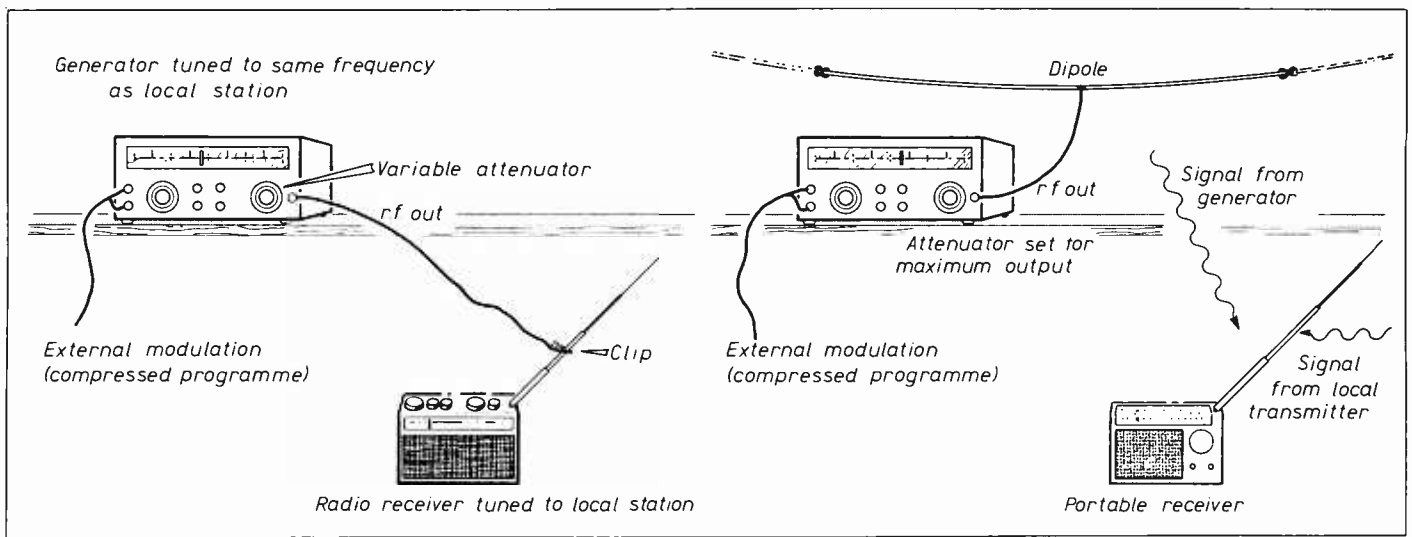


Fig. 2. Experiments to determine the degree of protection needed to separate signals transmitted on the same frequency. The first connects a generator, tuned to the same frequency as a local station, directly to the aerial of a receiver tuned to the same station. It is possible to adjust the level of the generator signal so that the received broadcast signal is heard with little or no interference from the generator. The second experiment is similar but the generator is connected to a transmitting dipole. Orientation of the receiver's aerial can find positions where the generator signal does not interfere with the received signal even with the generator at full power.

the target area, and that their maximum height should be restricted to no more than, say, 15 metres above ground level. In this way, geographical screening outside the service area will be maximised, while the service within the designated area should be adequate in most locations.

We considered that with careful siting of transmitting aerials along these lines, it should be possible to re-use any frequency successfully at a distance of just five times the service radius – i.e. 10km should separate adjacent neighbourhood stations on the same frequency. This is backed up by two very simple but useful experiments which we carried out into practical levels of co-channel interference.

Co-channel protection ratios

The first experiment involves hooking the output of an f.m. signal generator via a crocodile clip to the telescopic aerial of a portable v.h.f. receiver (Fig. 2). The receiver should then be tuned to a local programme, and the generator tuned to the same frequency, and modulated with an alternative programme (or tone). With the radio operating in mono, adjust the level of signal emitted from the generator while listening to the output from the radio. The object of the experiment is to determine the degree of co-channel protection needed to obtain subjectively satisfactory suppression of the weaker signal.

One assumption may be made about the programme content: it may be taken that the modulation is compressed or otherwise kept reasonably constant in depth (such as the signals from Radio 2 or commercial radio). Under these circumstances, we consider that acceptable levels of unwanted interference can be obtained with a co-channel protection ratio of as little as 20dB. The total range covered on the generator's attenuator, between virtual inaudibility and almost complete 'capture' of the frequency, is never much more than 40dB, in our experience.

A development of this experiment is shown in Fig. 2. Here, instead of having

Table 1. Vital statistics of various low-powered m.f. stations operating in London.

TX power	70dB μ		Population '000s		40dB μ radius	sky wave 100-400km
	radius	area	inner city	suburbs		
1W	2.5km	20km ²	155	70	20km	21dB μ
2W	3.3km	34km ²	260	114	23km	24dB μ
4W	4.0km	50km ²	400	170	28km	27dB μ
8W	5.0km	79km ²	620	260	33km	30dB μ
16W	6.0km	112km ²	870	375	38km	33dB μ
32W	7.2km	162km ²	1260	542	44km	36dB μ
64W	9.0km	254km ²	1970	850	50km	39dB μ
128W	11.0km	380km ²	2960	1270	61km	42dB μ

the generator connected directly to the receiver, it is connected instead to a dipole aerial of appropriate length (about 1.5m). The attenuator of the signal generator should be set for maximum output, and the receiver moved away from the dipole aerial until a point is reached where the signals from the local generator and the more distant broadcast transmitter are competing – in space – for its attention.

You should find that very minor movements of the receiver and/or its aerial will produce nearly complete elimination of one signal or the other, as far as the audible output from the receiver is concerned.

The conclusions which we draw from these two experiments are: (a) that 20dB co-channel protection ratio is just adequate for mono reception; (b) that where two or more signals are present, moving the receiver and/or its aerial very slightly has a marked effect on the relative signal strengths picked up from the melange.

In the case of our idealised lattice (Fig. 1), free-space attenuation alone will provide a 12dB ratio between a transmitter 2km distant and one 8km away. We then have geographical screening and receiver positioning available as factors to ensure that at least a further 8dB difference is introduced between the wanted and the total unwanted signals. On the face of it, this does not seem too implausible, though practical tests would be interesting to carry out.

We suggest that the total power radiated by each transmitter should be of the order

of 2 to 10W e.r.p. – the idea being to ensure that 2km distant the service is limited more by co-channel interference than by failing signal strength. The unattenuated field 2km away at this level of power is several millivolts per metre, but we are assuming that we ought to be reaching portable receivers in less-than-advantageous domestic locations.

Medium wave

We also looked at medium-wave, and carried out a number of exploratory calculations to see what would happen when the medium-wave transmitters of various powers were operated. The first step towards performing these calculations is to draw up a mean propagation curve from published data⁸. This curve is shown in Fig. 3, and is compiled from the average of two CCIR recommendations for signals at 1500kHz – one for a ground conductivity of 3mS/m, and the other for a ground conductivity of 10mS/m. This curve may be taken to be valid, within a few dB either way, for frequencies between 1251 and 1602 kHz and for the range of ground conductivities present in and around London.

We restricted our calculations to the high-frequency end of the m.f. band because it seemed that this was the most fruitful place to search for relatively quiet channels – in daytime at least – and also because fairly efficient aerials can be constructed on these frequencies without the need for great height.

If the signal strength 1km from the



Norman McLeod (28) splits his time between designing equipment for small broadcasting stations, and writing about developments in broadcasting for technical and consumer publications. At the moment he is a partner in Wireless Workshop – a small firm dealing in hospital and student radio transmitters and studio equipment. He has also been technical consultant to the National Association of Student Broadcasters since 1978. When not immersed in some radio-related activity, he enjoys cycling, travelling and listening to music.

transmitter is known (and this can be inferred from the effective monopole radiated power) then the predicted signal strength at any distance up to 60km from the transmitter can simply be read off the graph. The vertical axis of Figure 3 is scaled in decibels relative to the signal strength at 1km.

Figure 3 shows how this curve is used to predict the 'service' (70dB μ) radii of transmitters using various amounts of power. Also shown on this curve is the 'impact' radius – defined by the 40dB μ contour, and representing the minimum radius, at which the occupied frequency could be re-used.

The IBA transmitter on 1548kHz is also shown on the diagram to provide a sense of perspective. All three London 'local' radio stations use high-power channels – channels which could (and in the view of the author should) be used for network levels of power and coverage. Our proposals cannot run to the tens of kilowatts used by the BBC and the IBA because international clearance for such powers would not be forthcoming. Indeed, after contemplating 'impact' radii and sky-wave propagation

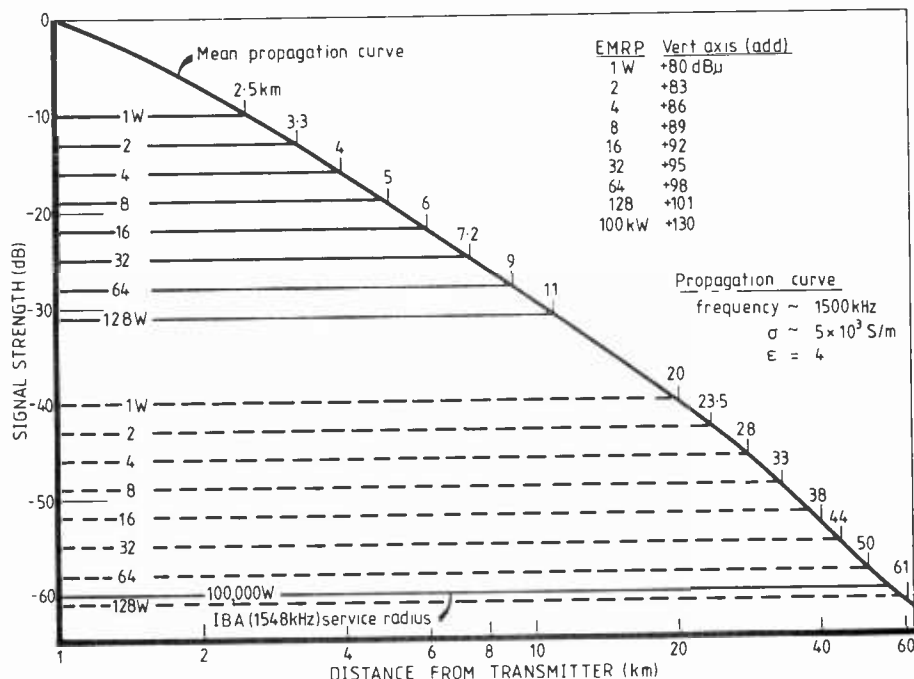


Fig. 3. Curve of the mean propagation taken from the average of two CCIR recommendations for m.f. signals at 1500kHz, for ground conductivities of 3 and 10mS/m. The service (70dB μ) radii of a number of low-powered transmitters are shown with continuous lines while the broken lines represent the 'impact' radii, defined by the 40dB μ contour, representing the minimum distance at which an occupied frequency could be re-used.

estimates (Table 1), we decided that we could keep effective monopole radiated power down to a few hundred watts on any frequency, while providing London-wide coverage on a pair of channels.

We take the view that new community radio services should take the lead in applying an approach to broadcast engineering which seeks to maximise the efficiency with which every watt or radiated power is used. It is clear from the data which we have generated from our exploratory calculations that using a large number of smaller transmitters is much more effective than using one large one with the same total power. For instance, eight two-watt transmitters will cover an area of 272km² with a field strength of 70dB μ or more; one sixteen-watt transmitter covers just 112km² to the same effect. Clearly, there are economic imperatives which ultimately point us in the other direction. But maximising the number of listeners per watt is probably the most important task facing broadcast engineers in the all-too-crowded spectrum.

The hypothetical m.f. transmitters which we have analysed may either be used independently, or as part of a network of fully-synchronous transmitters using two frequencies per service – in much the same way as Radio 1 and Radio 2 already

cover the country. We suggested that between eight to ten transmitters, each with an effective monopole radiated power of about 50 to 80W, should be assigned to the two frequencies in such a way that good reception on one channel co-incident with poor reception (due to multiple signals) on the other. The problem of cyclic fading, due to imperfect synchronisation between carriers, and of modulation distortion due to unequal time-delays in the distribution network are both easier to solve on this smaller scale. Cyclic fading can be tackled by locking each transmitter to a common frequency source (such as one of the Brookman's Park m.f. transmitters), while the time delays in any distribution circuit are sufficiently small for correction circuits to be easy and practical.

We did suggest (perhaps rather optimistically) that frequencies at v.h.f. or u.h.f. (possibly old broadcasting frequencies released by the Merriman Spectrum Review Committee) should be made available for point-to-point links across the city, thus saving the expense and bother associated with land-lines.

Conclusions

For the moment, all this can be dismissed as just an amusing piece of speculation. *Continued on page 44*

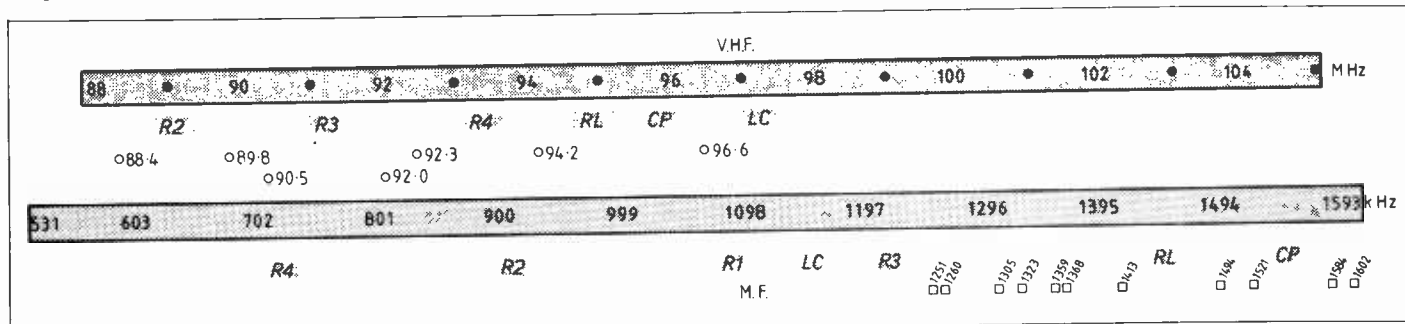


Fig. 4. Frequencies for the v.h.f. lattice plan (above) and possible low-power m.f. operation (below). Outside London the frequencies used may differ particularly on v.h.f. but the number of channels available for low-powered use should be about the same.

Mixed logic

First came nand and nor, their functions being a product of the technology of the time. Circuit synthesis procedures evolved which regarded these devices as actually performing nand/nor logic functions. We now inherit a system which automatically generates obscurely-intentioned circuit schematics. But all is not lost . . .

A circuit diagram is a medium of communication and is one of the most important items of documentation linking the designer with the user.

The circuit diagram of a digital system should convey the original logic intentions of the designer of the circuit. It should do this directly, with no requirement for elaborate transformations.

- Circuit symbols should represent combinational logic directly in and-or-not terms.
- Correspondence between logic value (true and false) and physical voltage counterpart (high and low) should be evident at any point in the circuit.
- Notation should clearly indicate type of physical device used at any point in diagram.

The reality

A manufacturer produces a device with the following response to applied input voltage signals

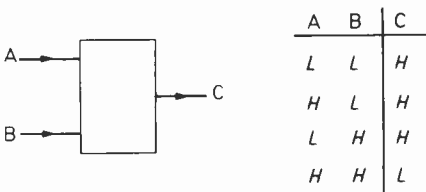


Fig. 1

Using positive logic convention, the manufacturer suggests a logic truth table for this device

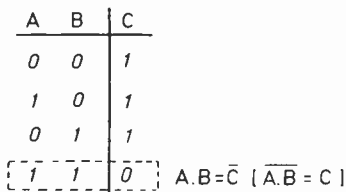


Fig. 2

And assigns a symbol to the device . . .

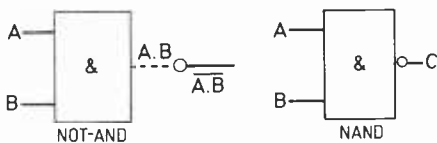


Fig. 3

Highlighted sector of Fig. 2 is the only region that most customers consider. As a result, a whole tradition of logic synthesis has evolved which concerns itself with forcing reduced expressions into a fixed format (network of nand gates) by tortuous

by M. B. Butler

manipulation, De Morgan's rule being constantly invoked.

Examination of Fig. 2 however reveals that it conceals another logic identity . . .

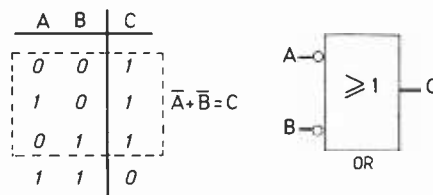
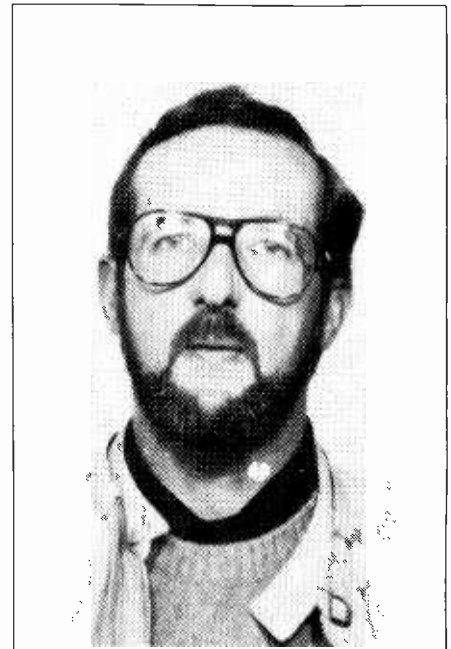


Fig. 4

Now make a full analysis with the aid of Fig. 5.

"Duality. - Given a physical device characterised by a table of combinations, the logic function performed by the device is determined by the specific choices of the 1-state at its inputs and outputs . . ."



Mike Butler, M.S.E.R.T., joined Marconi International Marine Co. as a Radio Officer in 1961. After 6½ years he went ashore to head office in Chelmsford as a test engineer. Work in the engineering division led to his current position as a radar development engineer in the company's laboratories.

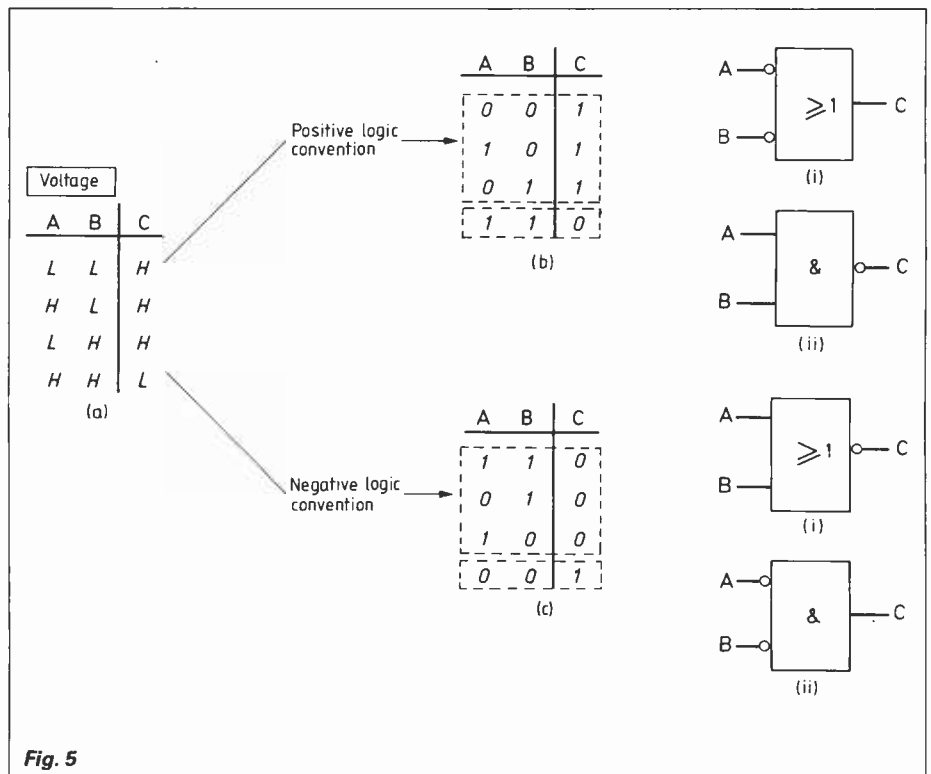


Fig. 5

Definition extracted from BS3939, section 21. In Fig. 5, left, we may recognize two pairs of 'duals', i.e. (b) i & ii and (c) i & ii. Examine another physical device:

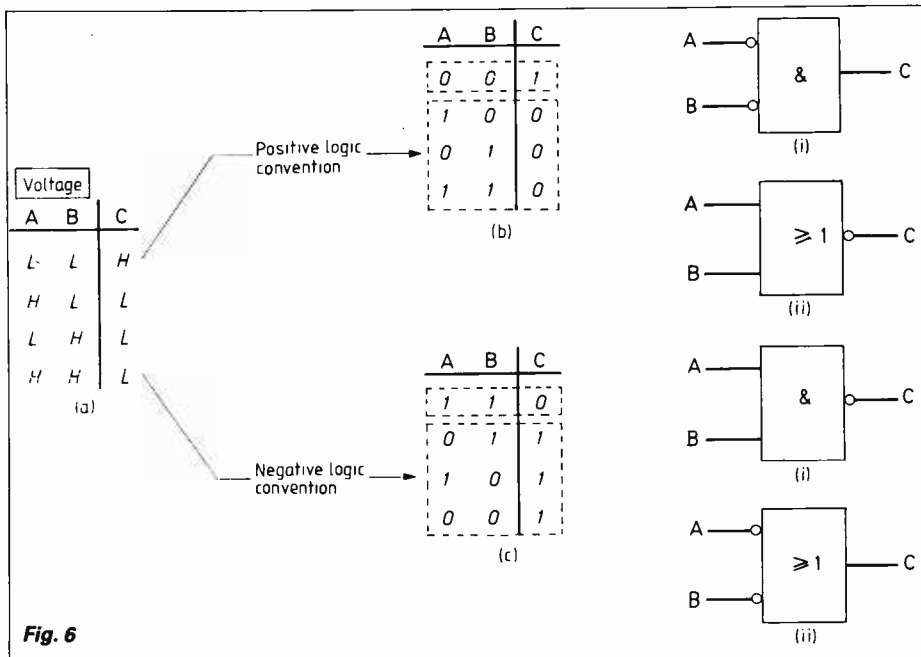


Fig. 6

It is evident from Figs 5 and 6 that one physical device may have its logic function interpreted in four ways, i.e. two pairs of logic duals.

We must regard an example to reinforce our bewilderment.

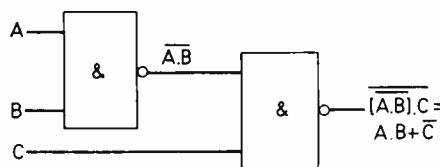


Fig. 7

Fig. 7 above illustrates a standard schematic representation of a logic function. Without the transformation shown, it is not possible to directly interpret its function. Re-draw the circuit, using the logic dual concept (intentional logic):

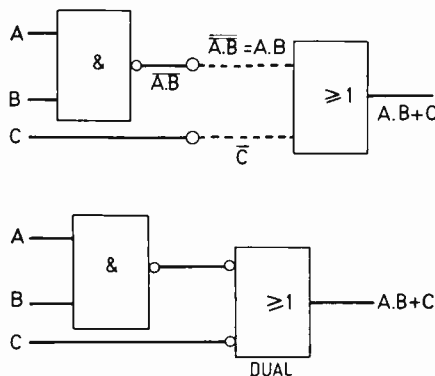


Fig. 8

- From Fig. 8
- the 'negation indicator' (circle at input/output) may be regarded as a De-Morgan operator
- two negation indicators at each end of a connective line, cancel the effect of each other
- use of the logic dual clarifies interpretation of a schematic representa-

tion. The above illustration does however raise a nasty doubt in the mind! Are the two gates in the example, physical nor gates using

negative logic representation Fig. 6 (c)? And are the two gates in the example, physical nand gates using positive logic representation Fig. 5 (b)?

We are left with the problem of identifying the physical implementation of the above circuit, with no clues to conjure with!

Summary so far

- Classical logic synthesis procedures tend to generate unreadable circuit schematics.
- A logic function may be synthesized directly in and-or terms using logic duals (intentional logic).
- The 'not' function may be implemented easily by manipulation of the negation indicator on connectives.
- Logic diagrams below do not directly relate logic state to voltage level at each node in the circuit, a factor which can be of extreme significance in field servicing.

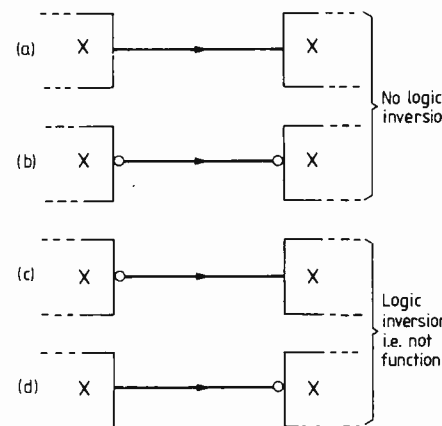


Fig. 9

Mixed logic

We must abandon the fixed convention of positive and negative logic and mix them! Conventional methods emphasize close

parallel between logic and voltage; mixed logic will emphasize the distinction between the two, eliminating the confusion introduced by forcing a fixed relationship between logic and voltage.

Back to basics

The functions 'and' and 'or' are represented by the customary symbols BS3939.

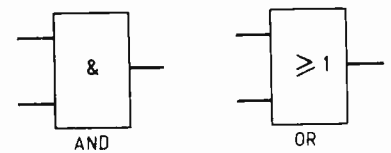


Fig. 10

Following conventions are stated

Logic validity defined as true symbolized by 1 or false symbolized by 0
Voltage level is described as high symbolised by H or low symbolised by L

A new symbol is introduced to indicate application of a convention: the 'flag' or polarity indicator.

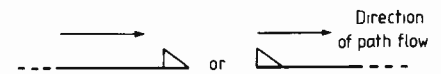


Fig. 11

This is applied as shown below.

logic	voltage
1	equivalent to H
0	equivalent to L
(no polarity indicator)	
1	equivalent to L
0	equivalent to H
(polarity indicator used)	

For example

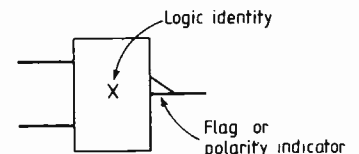


Fig. 12

Presence or absence of polarity indicator serves only to define which voltage convention in force at interconnection input or output interface of basic logic symbol, and does not indicate reversal of logic state.

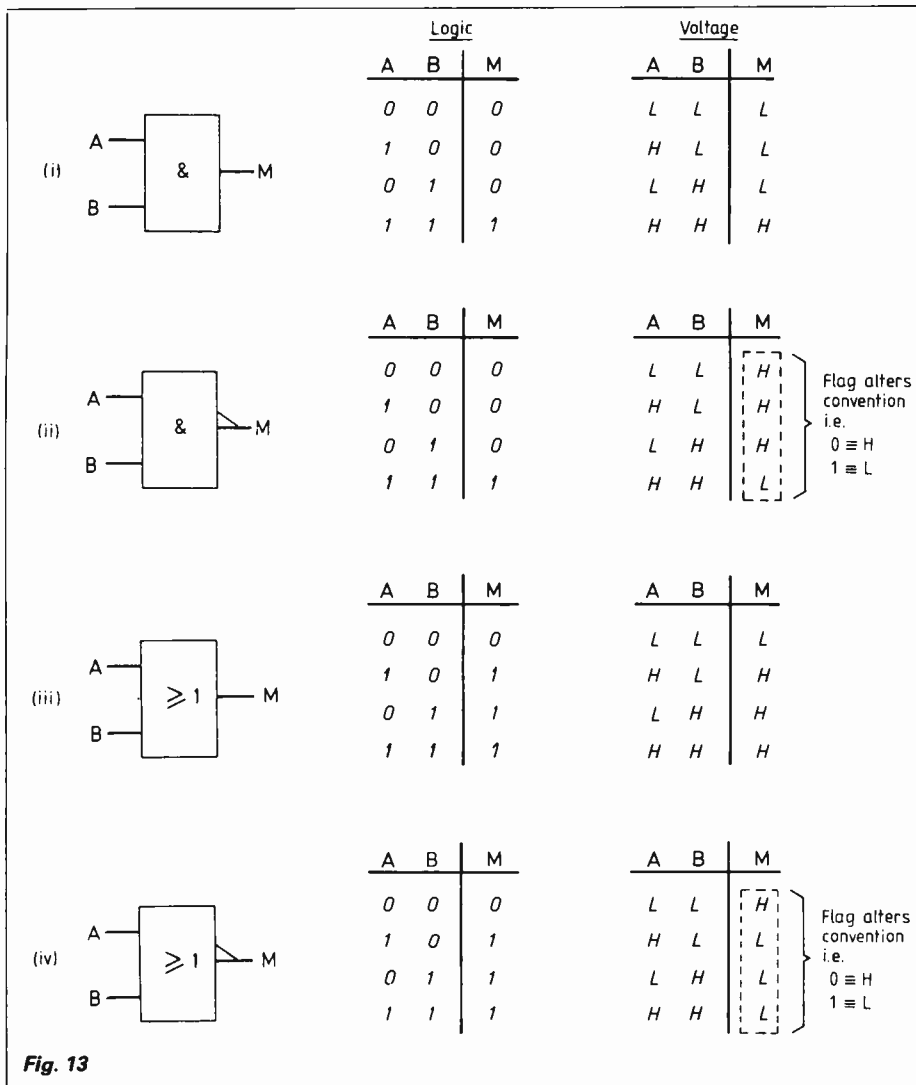
To reinforce this concept, study the following examples. Note that they include two truth tables to emphasize the crucial distinction between logic and voltage.

From Fig. 13, over,

Logic truth table remains same for each basic identity, whether flagged or unflagged.

Relevant section of voltage truth table modified where flag is applied.

The voltage truth tables above can be taken to describe the action of a physical device which would be used to implement

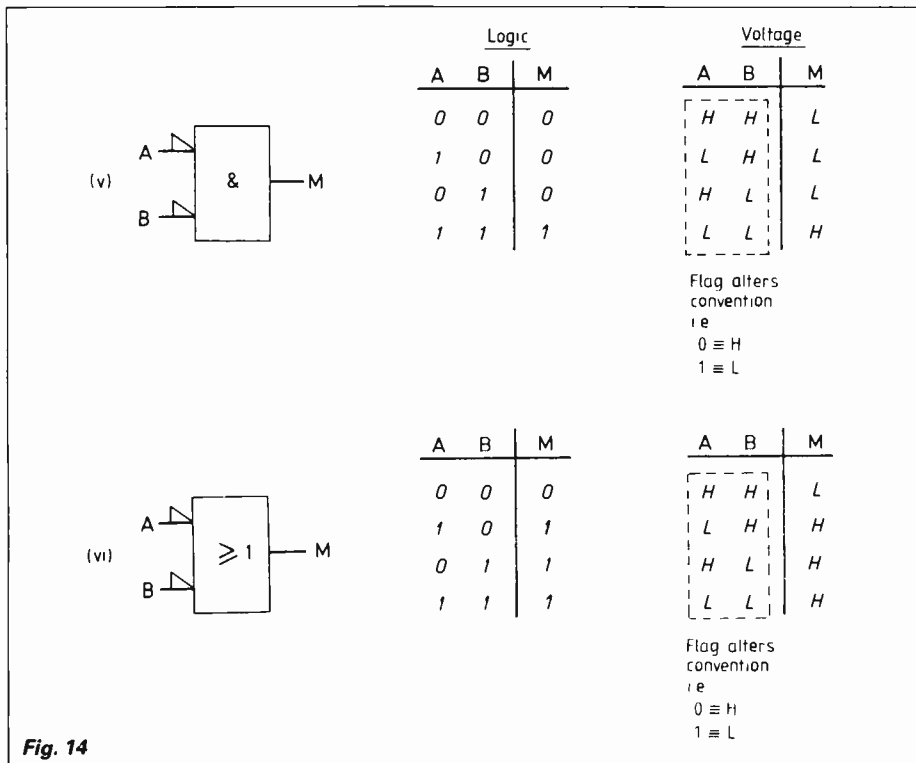


the function. The voltage truth table of (ii) describes a t.t.l. 7400 nand gate, while the voltage truth table of (iv) describes a t.t.l. 7402 nor gate.

Two more examples are shown in Fig. 14.

Logic duality

If you now compare the voltage truth tables in Fig. 14 with the voltage truth tables of the previous four examples in Fig. 13, you should come to a startling



conclusion, Fig. 15, right.

The same physical gate may perform an 'or' or an 'and' logic function under certain conditions, a physical nand gate may perform a logic 'or' function, and a physical nor gate may perform a logic 'and' function. This is the law of Logic Duality.

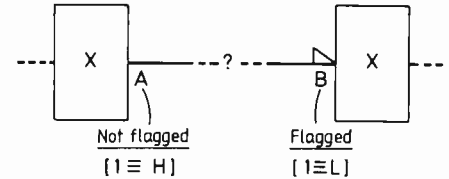
We now introduce the non-equivalence and equivalence logic functions. Figure 16 shows the gate symbols and truth tables for these two functions.

You are now left to prove the Fig. 17 duals, using the procedure outlined earlier.

Figure 18 summarizes logic duals.

Voltage level changing

Given the following problem, what do we do?



Required	A	B	A	B
	1	1	H	L
	0	0	L	H
	Logic		Voltage	

Fig. 19

To validate the voltage truth table in physical terms, we require of course a physical device called a voltage inverter, symbolized below.

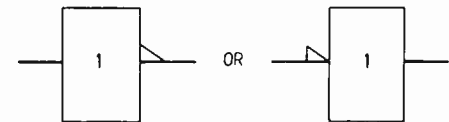


Fig. 20

Our solution to the above problem is therefore

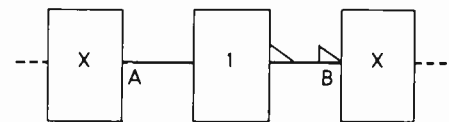


Fig. 21

Note carefully that no logic change has occurred; the same logic signal is present on both sides of the voltage inverter. Sole function of the voltage inverter is to change *voltage* representations for logic truth.

As further example for emphasis, consider implementation of equation $M = A + B$, where

- input A is flagged ('1' ≡ L)
- input B is un-flagged ('1' ≡ H)
- output M is flagged ('1' ≡ L).

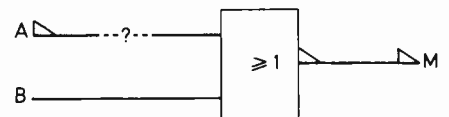


Fig. 22

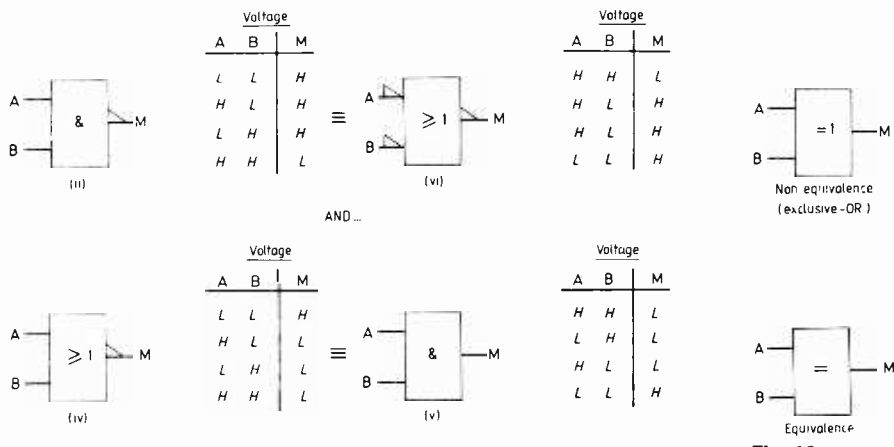


Fig. 15

Fig. 16

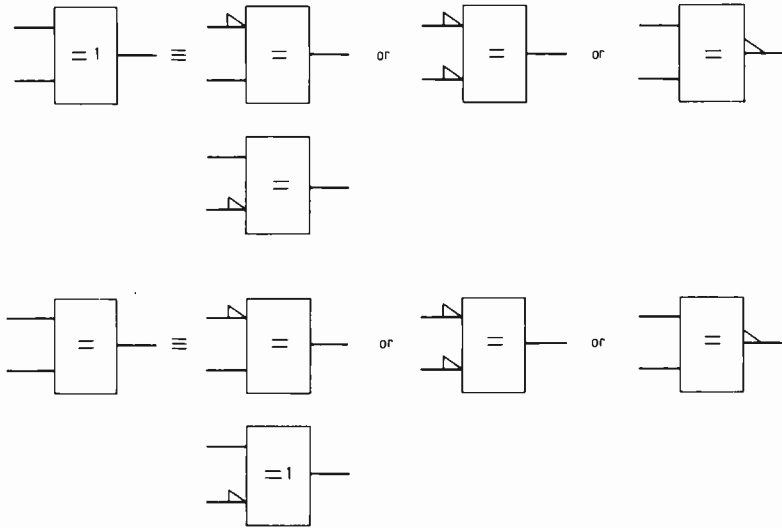


Fig. 17

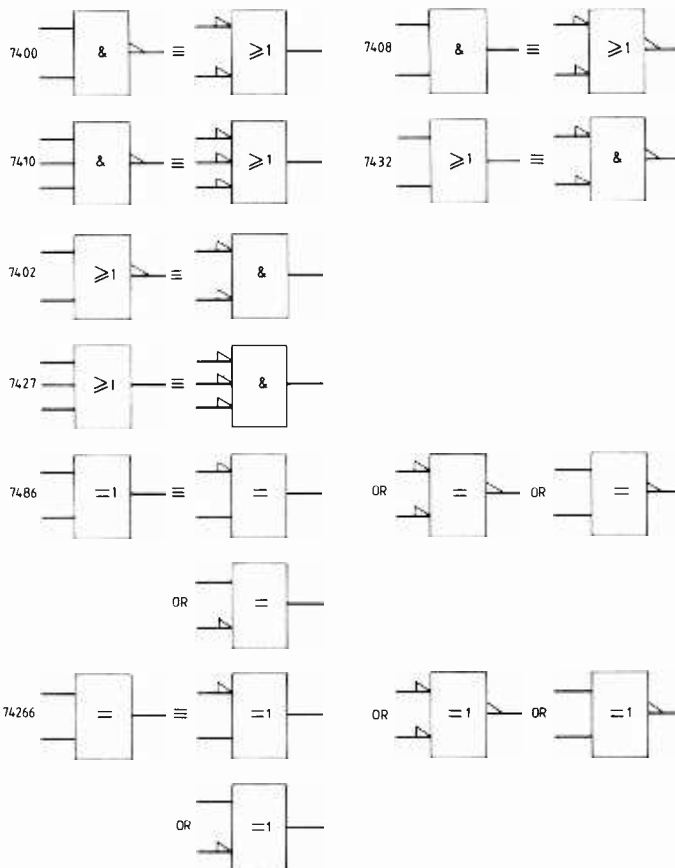


Fig. 18

We obviously require a voltage inverter at the A input.

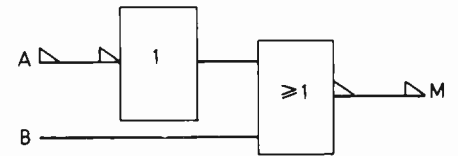


Fig. 23

The same logic signal is present on both sides of voltage inverter on A line. The voltage inverter may be implemented in a variety of other ways.

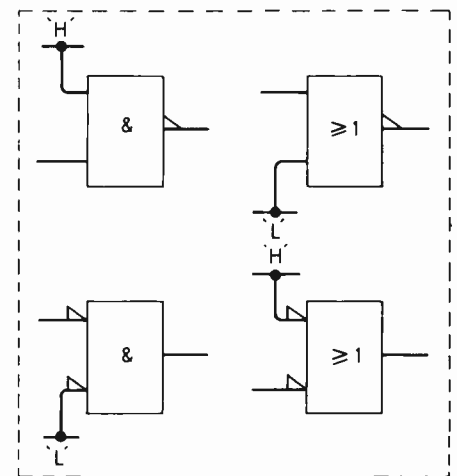
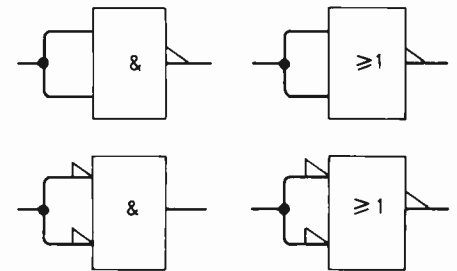


Fig. 24

All of these variants will be encountered in practical circuits.

Logic inversion

What is the physical implementation of logic 'not'? Consider the circuits of Fig. 25.

Logic variables A and B are being physically implemented by the same voltage on wire. The logic tables above are derived

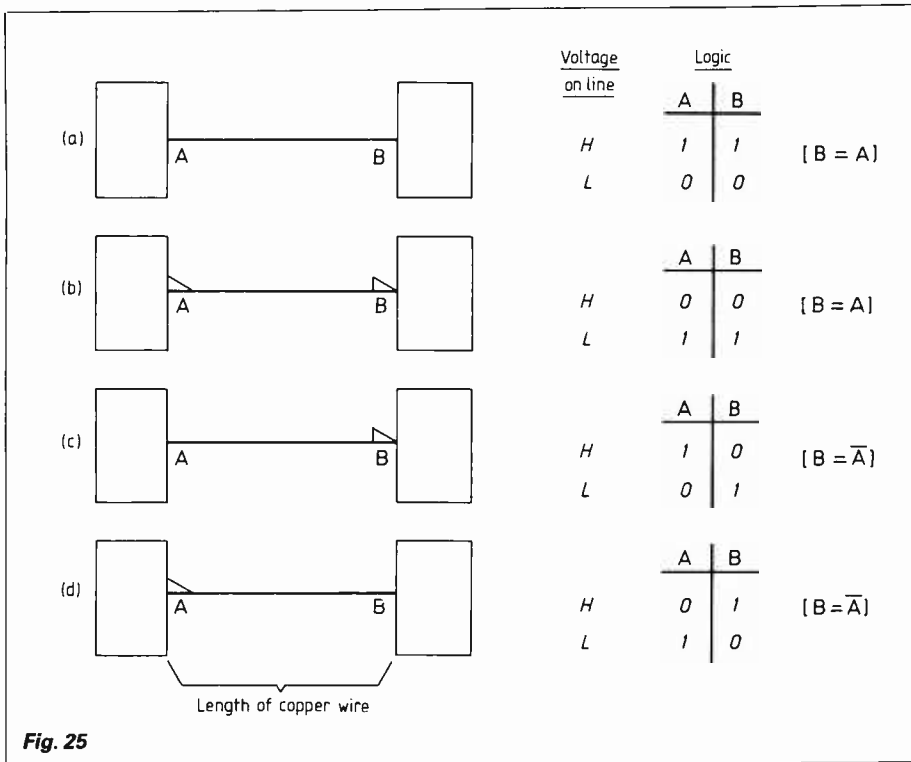
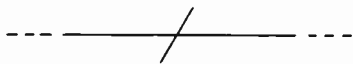


Fig. 25

from voltage on line (H or L), logic states depending on the presence or absence of flags at A and B. In cases (a) and (b) no inversion occurs. However, in cases (c) and (d) the logic truth table indicates logic inversion (logical not).

To summarize: logical not operation occurs over a piece of wire on which voltage convention is 'switched'.

To guard against any tendency to wonder about an error in the circuit diagram, an oblique 'slash' . . .



is placed across any line over which logical not operation has occurred.

The logical not operation is thus clearly identified on the diagram, and shows that voltage convention has been switched:

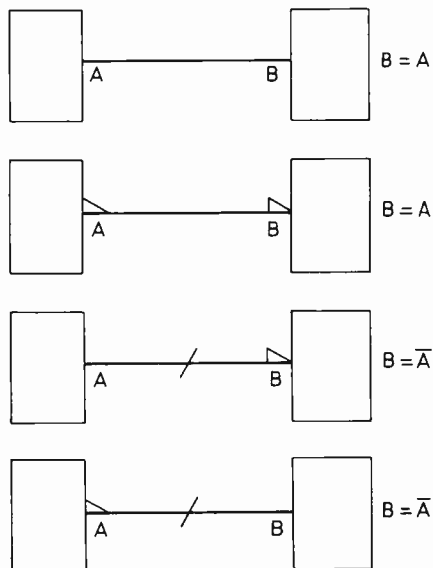


Fig. 26

The presence or absence of a 'polarity indicator' also serves to define voltage convention in force at a 'labelled' input or output to combinational logic network, and is associated with validity of 'label' at these

points, Fig. 27.

Last words

Adoption of the system presented means total reversal of an outlook drilled into a generation of students by basic classic textbooks, and I confess to performing many mental gymnastics in the process of re-conditioning my thinking. During this procedure however, many nasty rule-of-thumb habits were discarded.

With regard to design of combinational logic circuits, the technique is very powerful and results in economical design. Greatest advantage lies in the fact that the designer works in pure logic and only reverts to the physical world when choosing devices to implement the design; at which point a few voltage inverters transform the circuit into the real world.

Use of duals in circuit diagrams appears to upset users who encounter this representation for the first time, and the response is very typical: "This is all very nice and academic of course, but how will the p.c.b. layout draughtsman and service technician be able to identify the physical type of, say, IC₃₀ and IC₃₁?"

The answer lies of course in the fact that manufactured devices are always in 'and', 'or' nand or nor form, i.e. they don't have flagged inputs. Therefore on encountering a gate with flagged inputs a mental dual transformation is all that is necessary, Fig. 28.

Continued on page 35

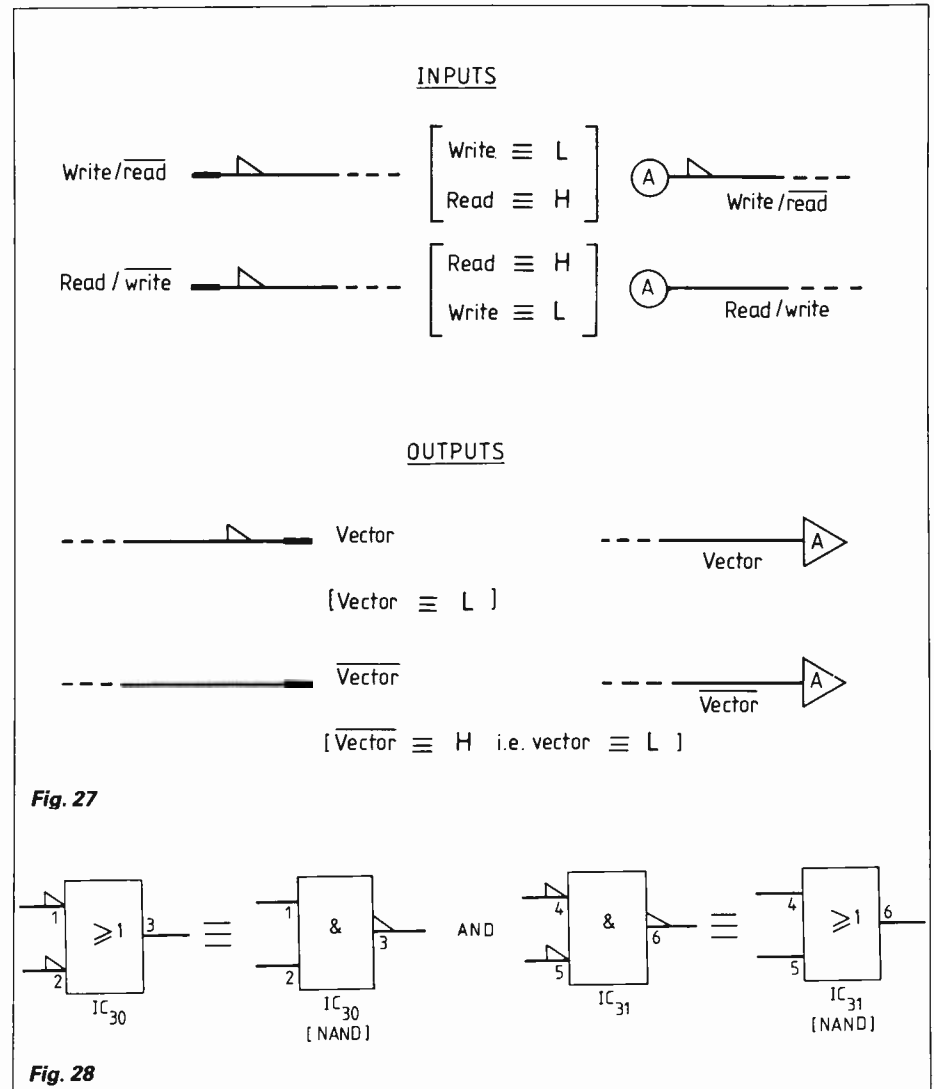


Fig. 27

Fig. 28

300baud full-duplex modem

Most designs featured in magazine articles have been acoustically coupled and have not met any previously adopted standard for frequencies. This design directly couples to the telephone line, giving better security and lower error rates, and uses standard data channel frequencies

The unit has been designed to meet British Telecom specifications but as these include the standard of construction and layout it cannot therefore be said to be BT approved. But if all the layout instructions are followed the unit should meet with BT approval. This can be done locally through the Transmission Efficiency Officer or by submitting an application to

Telecom HQ
Marketing Executive
R.C.S.D.
Tenter House
45 Moorfields
London EC2Y 9TH

The modem offers the facility to originate or answer the call manually, or by using the auto answer unit it can be used as an auto-answer modem. The unit is designed to be compatible with the BT Datel 200 service to give data rates of up to 300 bit/s. Duplex transmission over two wire circuits is achieved by using frequency-division techniques, as shown in the table. Two channels are used with the following frequencies

Channel 1	980Hz—binary 1
	1180Hz—binary 0
Channel 2	1650Hz—binary 1
	1850Hz—binary 0

A protocol must be established so that one channel is used in one direction of transmission and *vice versa*, by creating

by Des Richards

call and answer modes of operation.

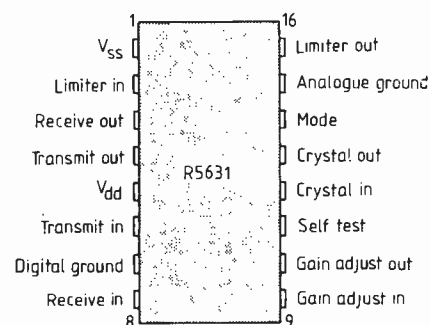
Call mode	Frequency designation	Answer mode
Transmit	980Hz—binary 1	Receive
	Channel 1	
Receive	1180Hz—binary 0	Transmit
	1650Hz—binary 1	
	Channel 2	
	1850Hz—binary 0	

Using this convention the contention of two modems trying to transmit to one another on the same frequencies will not arise provided that each modem is in the complementary mode.

To enable duplex transmission over a two-wire circuit the transmit and receive signals must be separated by the use of a hybrid transformer and transmit and receive filters. The hybrid transformer also provides a d.c. loop on the telephone circuit to hold the call. This is required on both the originating call and the answering call to indicate to the exchange equipment that the line is in use. The transformer must be able to carry a primary direct current of up to 120mA and not saturate, thus enabling a.c. signals to be sent and received through the transformer without attenuation. Both the transmit and receive

signals are buffered by zero-gain amplifiers to give a stable impedance of 600 ohms to the hybrid and they also provide a degree of protection to the filter against high voltage transients which could be induced into the transformer from the telephone circuit.

The filter consists of a single integrated circuit specifically designed for modem use. It is the Reticon R5631, a monolithic i.c. containing two ten-pole switched-capacitor band-pass filters fabricated in n-mos technology with a 16 pin dual in-line package (see below for pin connections).



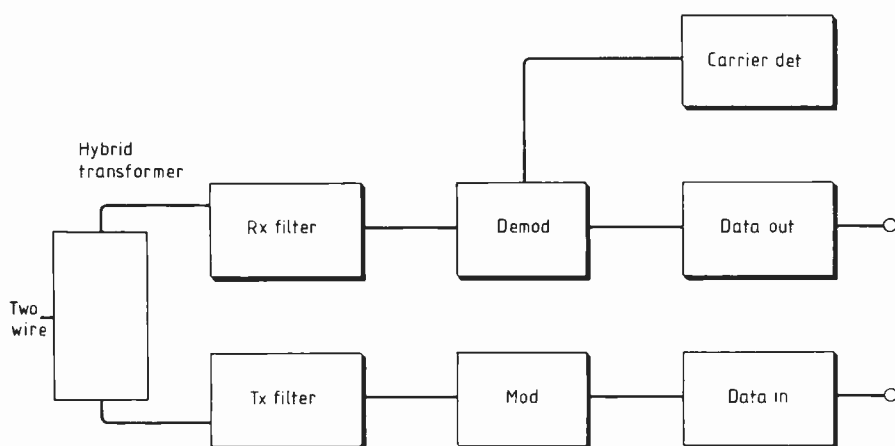
Included in the chip is a receiver gain-control stage which is externally variable from 0 to 20dB, a separate limiter for use with the receive output, a clock oscillator and t.t.l.-compatible switch inputs for self-test and mode selection, Fig. 3. The self-test mode gives the ability to loop the modulator and demodulator together via the filter and thereby enable local testing to be carried out.

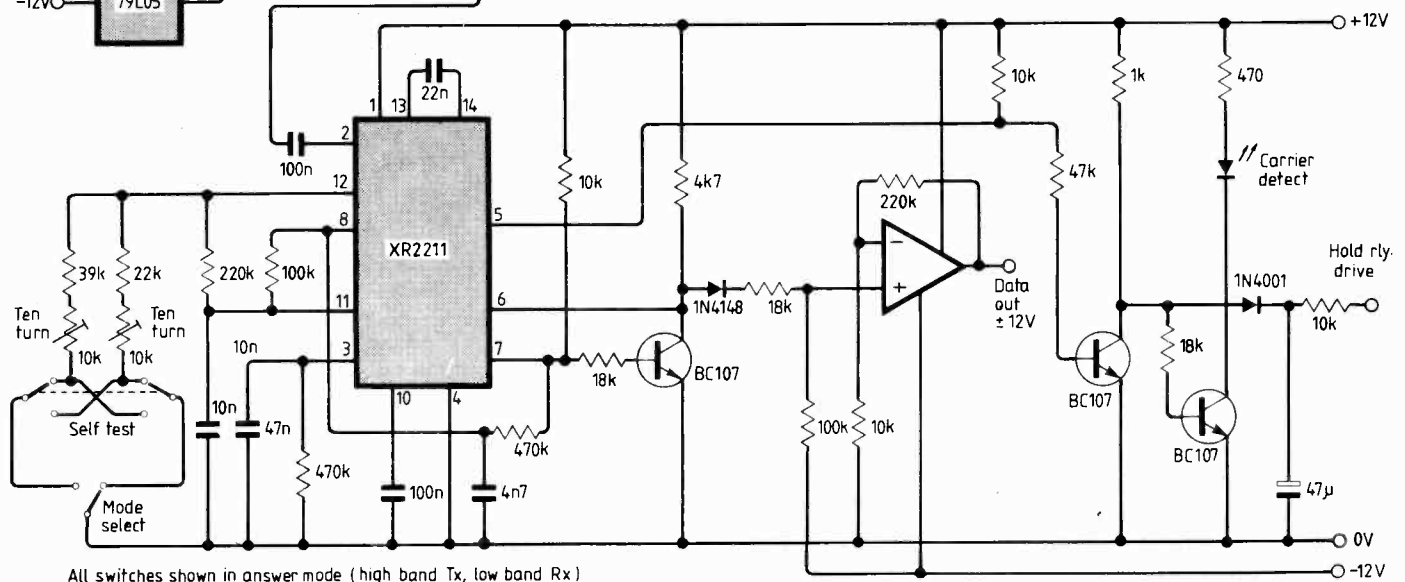
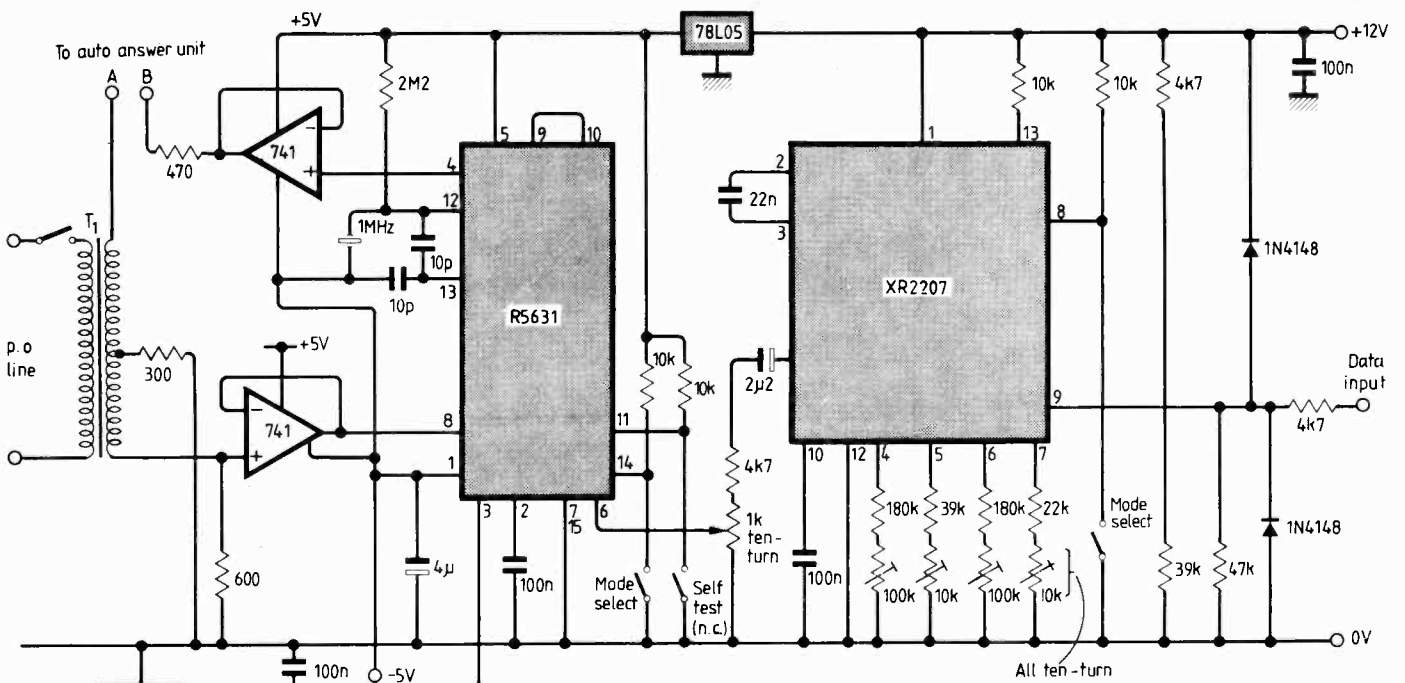
The mode select and self-test gives the following combination of filters.

Modulator

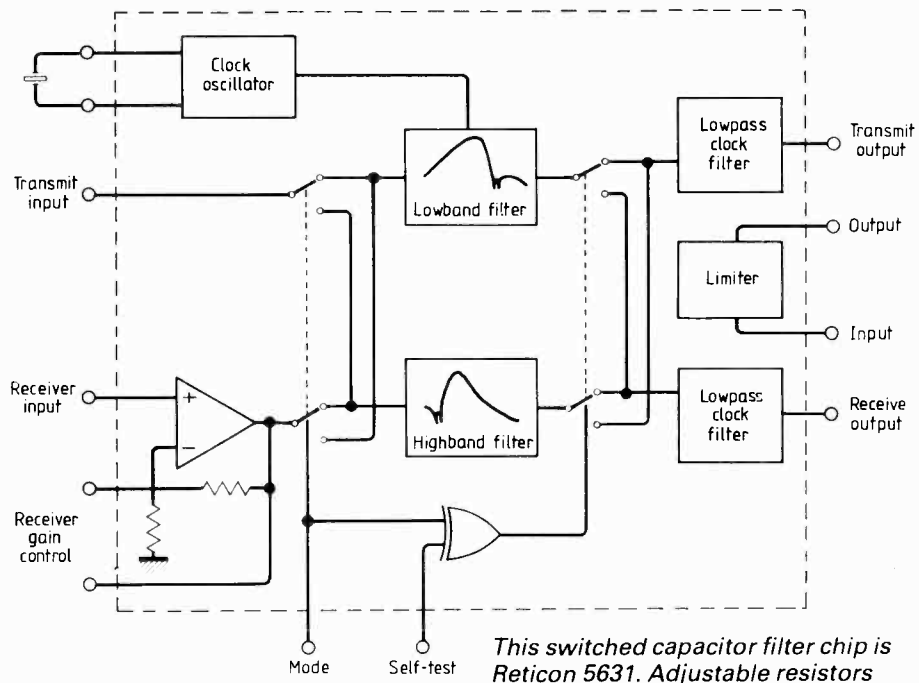
The modulator is built using the XR2207 f.s.k. modulator i.c. which gives phase continuous output, the frequency of which is determined by C_f and the resistors R_1 - R_4 selected by the logic combinations on pins 8 and 9.

The XR2207 provides two outputs, one a square wave on pin 13 and the one used in this application is a triangular waveform on pin 14. Use of the channel-select input on pin 8 gives the ability to change channel when the modem is switched between the





All switches shown in answer mode (high band Tx, low band Rx)



This switched capacitor filter chip is Reticon 5631. Adjustable resistors around 2207 circuit (top) are R_{V1} to R_{V4} in text.

call and answer modes.

To set the frequencies of the modulator follow this procedure. Apply a logic 1 to the data input and select channel one by applying a logic 0 to pin 8, this can be done by switching to originate mode. Adjust R_{V1} to give an output frequency of 980Hz. Then apply a logic 0 to the data input and adjust R_{V2} to give 1180Hz at the output. The adjustments must be done in this order as R_{V1} affects both the low and the high frequency whereas R_{V2} only affects the high frequency.

The same procedure applies to set channel 2 frequencies. This is done by selecting the answer mode and applying logic 1 to the data input. Resistor R_{V3} is then adjusted to give a frequency of 1650Hz. The data input is then set to logic 0 and R_{V4} adjusted to give an output frequency of 1850Hz. The output level is adjusted to give -10dB into 600ohms at the two-wire line side of the hybrid transformer. This completes the alignment procedure for the modulator.



Since he qualified in communications in 1972, Des Richards has been an engineer on a local radio station. He also runs a small business designing and supplying specialist equipment, and finds time to build model steam engines and fly light aircraft.

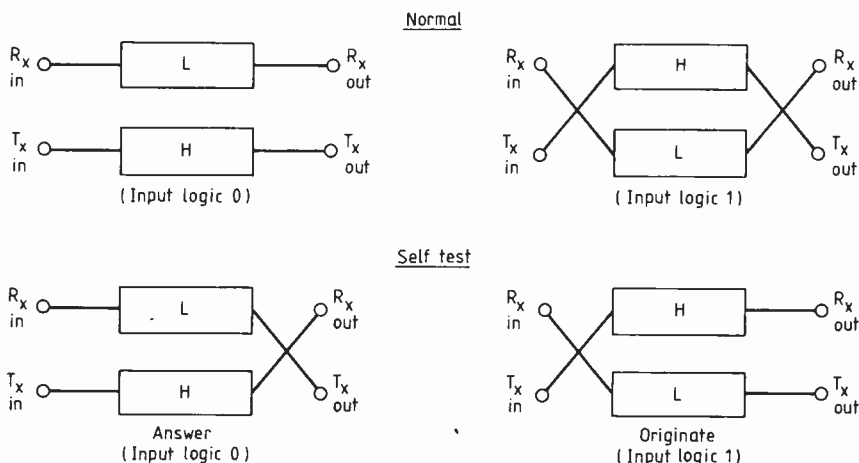
Demodulator

The demodulator is built using another Exar circuit, the XR2211 which is a monolithic phase-locked device. It consists of a basic phase-locked loop for tracking a signal within the passband, a quadrature phase detector that provides carrier detection, and an f.s.k. voltage comparator circuit that provides f.s.k. demodulation. It will detect a signal between 2mV and 3V and has a built in a.g.c. preamplifier. The centre frequency, bandwidth and output delay are set by external components, centre frequency being determined by C_f and R_f . Adjustment of R_f is as follows.

Open R_5 and monitor pin 13 or 14 with a high impedance probe. Don't try to adjust the centre frequency by monitoring C_f with everything connected and no input signal applied.

The two centre frequencies are adjusted in the same way. Select call mode and

Logic-level	Active timing	Resistor	Output Freq. (f)
L L		pin 6	$\frac{1}{C_f R_1}$
L H		pin 6 and 7	$\frac{1}{C_f R_1} + \frac{1}{C_f R_2}$
H L		pin 5	$\frac{1}{C_f R_3}$
H H		pin 5 and 4	$\frac{1}{C_f R_3} + \frac{1}{C_f R_4}$



Self-test mode allows modulator and demodulator to be looped together through the filter for local testing. Diagram shows mode and self-test filter combinations.

adjust the frequency to 1750Hz and then select the answer mode and adjust the frequency to 1080Hz. This completes the alignment of the demodulator.

The carrier detect output drives the hold relay on the auto-answer board, and also gives a status indication of carrier being present on the circuit. The complementary

output to this is connected to the data output circuit to hold the output to a logic 1 (-12V) when no carrier is present. This prevents spurious data from appearing on the output when no carrier is present. The output of the demodulator is unipolar and is converted to RS232 by an op-amp buffer to give ± 12 volts. **To be continued**

Continued from page 32

With regard to servicing, one is only concerned with reading the logic action and checking voltage levels at specifically numbered pins on labelled i.c. packages (assuming a silk-screened p.c.b., and suitable documentation). It is only when replacing a defective package that one must identify its physical type, and this information should be present in the documentation.

Example

With (a), (b) and (c) representing spare gates, which two of three shown can be connected to fulfill the function of the network illustrated?

How will the network be represented in mixed logic notation? (For maximum clarity of operation.)

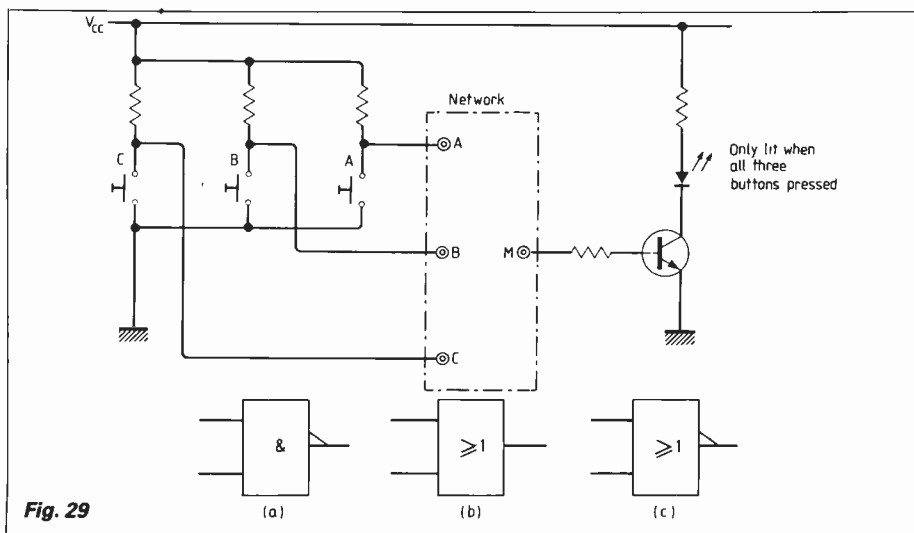
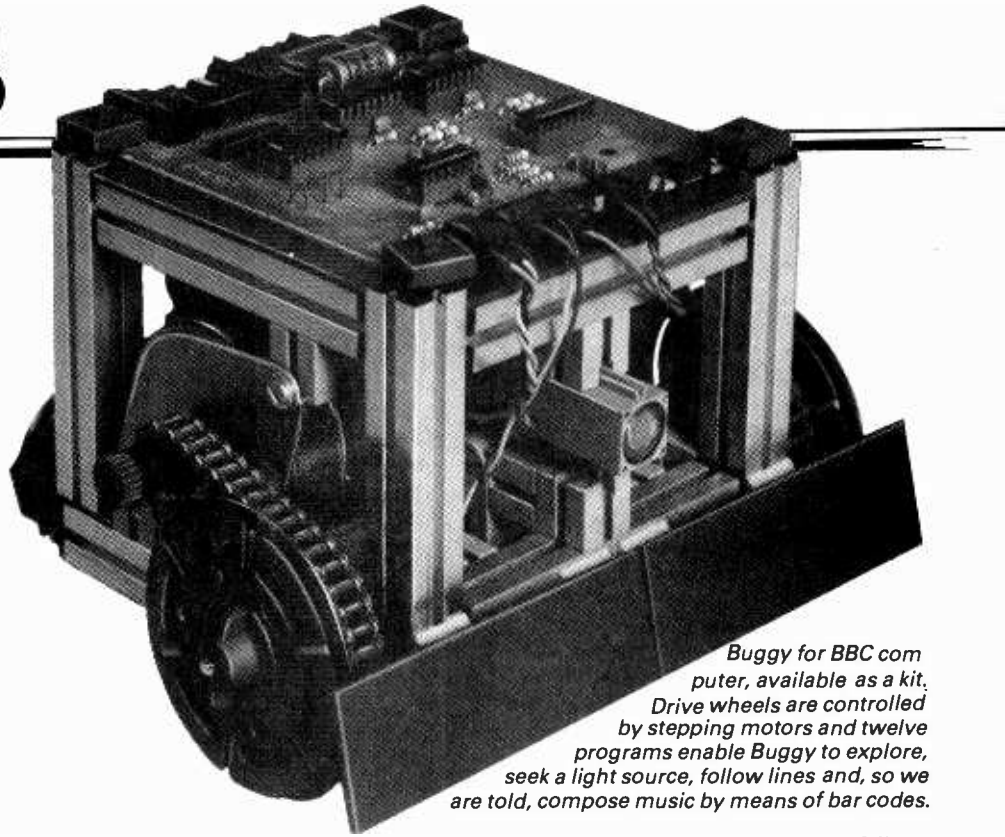


Fig. 29

More micros for minors

Eight million pounds of Government money is to go toward new computing equipment and up-grading existing computers in schools and colleges of further education.

The extension to the Micros in Schools Scheme consists of 50% funding to allow RM380Z and BBC Model A computers to be converted. The Research Machines computer will be provided with 56K of memory (formerly 32K) and the graphics board with software, while the BBC design in its Model B form is to have disc drives and an Econet interface. Both computers can be supplied with a Microvitec colour monitor and a Walters printer. As an extra to the computers, the Government will also assist schools to buy a Buggy, which is a three-wheeled robotic device by Economatics, controlled by the computer, which will adaptively follow set paths, detect and delineate objects, operate a pen and find its way towards a given point. There is also Vela, which is effectively a multipurpose measuring instrument for voltage, frequency, waveform generation, transient capture and data analysis, being a central-



Buggy for BBC computer, available as a kit. Drive wheels are controlled by stepping motors and twelve programs enable Buggy to explore, seek a light source, follow lines and, so we are told, compose music by means of bar codes.

hardware, programmable-function device.

A further scheme — CNC Machine Tools in Further Education — has as its aim the equipping of colleges with computer numerically controlled tools of various types, again on a 50% basis.

Announcing the CNC programme, Kenneth Baker MP, Minister for Information

Technology, said "This scheme follows the enormously successful micros for school schemes, as a result of which the UK has achieved the greatest progress of any country in technological education for young people."

More than 6500 secondary schools have already received microcomputers under the scheme.

934MHz changed to meet European plans ...

UK 934 MHz citizens' band is to be moved downward by 12½kHz following a Home Office decision to fall in line with a recent international channelling agreement for Europe reached by the Conference of European Posts and Telecommunications Authority, CEPT. Other technical requirements for 934MHz remain unchanged and existing sets may be used for the present. Dates by which existing sets must be modified and sets being manufactured must conform to the new channel requirements have yet to be fixed. Amendments to Home Office performance specification MPT1321 are being made to reflect the new channel plan.

... for whom?

Currently only one UK manufacturer, Reftec, makes sets for 934MHz and according to the company's main distributor, 934 Communications, some 500 transceivers have been sold since Reftec first started manufacturing some 15 months ago. But a second company, Beeware of Harrogate, is about to break the

monopoly by selling a 934MHz transverter that can be used with existing 27MHz sets. Beeware expects to sell around 1800 transverters in the first 12-18 months, a figure representing 2½% of the existing 75 000 official and unofficial c.b. operators.

Prices of a basic Reftec transceiver and a Beeware transverter with a 27MHz set are almost the same, working out at around £250, but the second option is more attractive to those who already have 27MHz sets and to those who want to operate on both bands. But according to Don Lane, a spokesman for 934 Communications, "Beeware cannot be serious. Japanese companies need an order of 10 000 before they will manufacture anything and there just isn't the market for that number of sets." Technical Director of Beeware, Bill Dewhurst replied "Of course we are serious. We have carried out a feasibility study, spent money and liased with the Home Office on the specifications — had it not been for the recent changes, our product would be on the market now." Sanwa make the company's 27MHz set but Mr Dewhurst could not tell us who was manufacturing the Grandstand transverter expected to be available by the end of July.

Sets conforming to a European standard can potentially be exported. When approached on this subject, Dewhurst said "the snag is that the Japanese like to do

things their own way. Exporting Japanese sets from the UK would not be easy but we have plans to manufacture in the UK, in which case we would be looking into exports. We have a design for a complete 934MHz transceiver and are looking into other fields of communications like marine and land-mobile radio and satellite tv."

Lasers and radiation safety

Rapid increase in the use of lasers in both industrial and commercial has led to a complete revision of the BSI standard on laser radiation safety which has been in effect since 1972. Radiation safety of laser products and systems, BS 4083, has been published in advance of an international standard, which is an infrequent occurrence, and it could be that ISO in Geneva will base their standard on its content.

BSI says "It is impossible to regard laser products and systems as a single group since hazards vary according to factors such as wavelength, power and energy of the beam and duration of the emission. Eyes are the organs most at risk because the incoming visible or near infrared beam may be focussed on the retina to a 10 to 200µm spot which raises energy density by

up to half a million times. High irradiance, either direct or reflected, may cause skin damage. Other potentially dangerous sources are power supplies and cooling agents sometimes used." The standard is in three parts, one covering determination of maximum permissible exposure levels in a summary of biological considerations, one specifying manufacturing requirements, and a user's guide covering safe operation, maintenance and servicing of lasers.

NRPB, who are more concerned with biological effects of lasers rather than with mechanical construction which is BSI's

main concern, plan to publish a review of maximum permissible limits for exposure to laser radiation in about six months at the request of the Health and Safety Executive. This information is used by BSI as a basis for its standard. A further consultative document on laser radiation hazards from NRPB is due in about a year.

● Finalization of the consultative document concerning non-ionizing radiation limits summarized in *Wireless World*, April 1983 has been delayed "slightly" due to an unexpected influx of comments and questions at the NRPB, particularly concerning e.l.f. radiation.

Racal gets 25 years in cells

Racal Millicom has received a 25-year licence to run a mobile telephone service based on cellular-radio technology but according to the DoI, the competing licence to be held by the BT/Securicor consortium "is still to be issued." The licence requires that the service must start no later than 31 March 1985 — unless the holder has a good excuse — and that 95% of the population must be served by 1989.

When asked why BT hadn't got its licence yet, a spokesman said: "We are working toward providing a cellular radio service in early 1985 — the licence is inci-

dental, and there's no need to have it immediately." On the other hand, Racal could not tell us anything more than what is in the licence and how much it costs (£1,000 initially then £1,000 p.a.). When asked when production of equipment might start — or indeed when anything concerned with cellular radio might start — Racal replied "we'll let you know." But as we write, the election looms and one can say that it is likely to be more embarrassing for a Government to retract a licence than it would be to refuse to issue one in the first place.

Digital v.c.r. with metal powder tape

Using recently developed metal-powder coated tape and a modified domestic video cassette recorder, researchers at NHK laboratories have demonstrated that high-density digital recording can give better results than conventional analogue v.c.r.s. The researchers say that given some improvement in head sensitivity and tracking accuracy, the digital v.c.r. will consume less tape than its analogue counterpart and produce good picture quality.

Digital circuits used are the same as those developed for NHK's 1979 digital

v.t.r. experiments but using trial samples of Fuji's metal powder tape has allowed recording density to be more than doubled, to 3kbit/mm. With the same tape

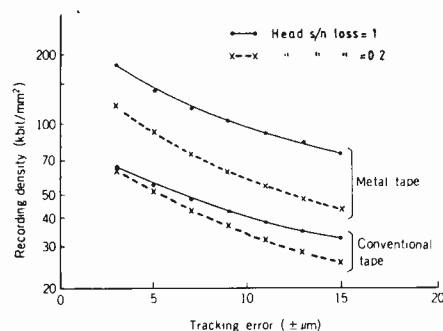
In brief

An agreement to support European Computer Manufacturers' Association work towards proposed CCITT electronic mail standards was signed on 29 April by seven companies — ICL, Rank Zerox, Ferranti, CII Honeywell Bull, Olivetti, ITL and Logica.

City & Guilds Radio Amateur course 765 starts at Oak Farm centre, Chaucer Road, Farnborough, Hants on 22 September. For further details telepl. one 0252 540084.

Incorporated Practitioners in Radio and Electronics, IPRE, is reborn under the wing of the Society of Electronic and Radio Technicians. Providing professional services to engineers involved in domestic and industrial electronics servicing, IPRE bases its entry levels on City and Guilds courses and is the only institution open to the many service technicians whose study is not normally recognized because of its practical nature.

Infrared astronomical satellite IRAS spotted a comet approaching us at 28km/s on 11 April and estimated that it would miss Earth by 4.5 million kilometres on 11 May, appearing faint but several times the size of the moon.



Calculated results of recording density for metal powder vs conventional tape. With good head sensitivity and tracking accuracy, recording density for metal tape is $5.5\mu\text{m}^2/\text{bit}$.

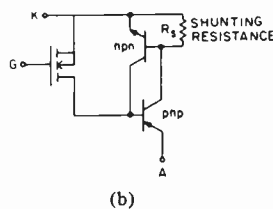
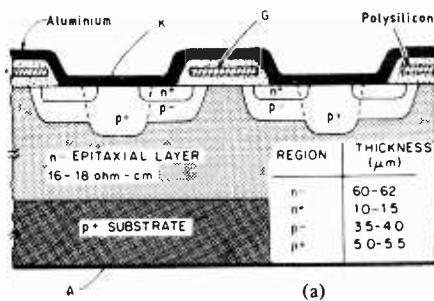
General specifications for NHK's experiments in high-density digital recording for video signals. Digital circuits for both experiments are the same but using metal powder tape has double recording capacity. Characteristics of reproduced digital video signal are also given. "There were many dropouts because a trial production metal-powder tape was used, but error rate could be reduced to one tenth of this value by using a mass-production coater in the tape manufacturing process."

	High-density recording experiment, 1982	Experimental v.t.r., 1979
Tape	Fe metal-powder coated (trial product)	Cobalt iron oxide, CoFe_2O_3
Head Recorder	Sensidust metal head Domestic VHS cassette video recorder	Ferrite, single crystal MnZn One inch helical v.t.r. (SMPTE C)
Tape-to-head relative speed	11.6m/s	25.6m/s
Bit interval	0.33μm	0.73μm
Density	3kbit/mm	1.4kbit/mm
Track width	45μm	40μm
Track pitch	58μm	60μm
P.c.m. coding	$3 \times f_{sc}$, 6bit/sample	$3 \times f_{sc}$, 8bit/sample
Recording	2 channel	3 channel
Reproduced signal s/n ratio	35dB	31dB
Bit error rate	2.5×10^{-4}	1×10^{-6}
Block error rate	3×10^{-3}	3×10^{-4}
Remaining errors	2 blocks/min	no error

MOS power device with thyristor on resistance

A mos gate-controlled power switch with an on resistance comparable to that of a thyristor has been developed by RCA. On resistance of v-mos power devices rises with increasing drain-source voltage capability, limiting their high-voltage applications, but the newly structured device exhibits an on resistance ten times lower than standard state-of-the-art mosfets with the same size and voltage rating. RCA scientists have manufactured several hundred of the devices, called Comfets (conductivity-modulated fet), some 1.5mm² and some 3mm², and nearly all of the larger chips had on resistances of less than 0.1Ω at 20A.

Typical experimental Comfets with 8A anode current took 1μs to turn on but between five and 20μs to turn off, which is relatively slow. The n-p-n-p structure of the device is similar to that of a thyristor and it can be made to latch using high drive currents. In the larger devices latching occurred at between 10 and 30A, depending as one would expect on temperature and anode voltage. But an interesting feature of the device is that latching current is also strongly influenced by gate turn-off time. Slow gate turn offs of around 10μs permit anode currents up to 30A without latching but a rapid gate turn off of less than 1μs leads to latching at



Comfet — a new mos gate controlled power switch with an on resistance comparable to that of a thyristor. Experimental devices produced by RCA researchers have on resistances lower than 0.1Ω at 20A.

much lower anode-current levels in the region of 10A. The Comfet is detailed by J. P. Russel, A. M. Goodman, L. A. Good-

man and J. M. Nielson in *IEEE Electron Device Letters*, vol. EDL4, no 3, March 1983.

4Mbyte micro-floppy

Using a different approach to perpendicular magnetic recording, Sony claims to have produced the highest density magnetic recording ever, with a linear density of 2.58kbit/mm. This represents an improvement of 31 times that of a 51/4in floppy disc or eight times that of a high-density microfloppy. Toward the end of last year Toshiba claimed a 27-fold improvement over conventional floppy discs for their p.m.r. technique (February News) and although this figure is lower than the latest claim, Toshiba indicated their disc and drive was ready for manufacture whereas Sony's development is still in the experimental stage.

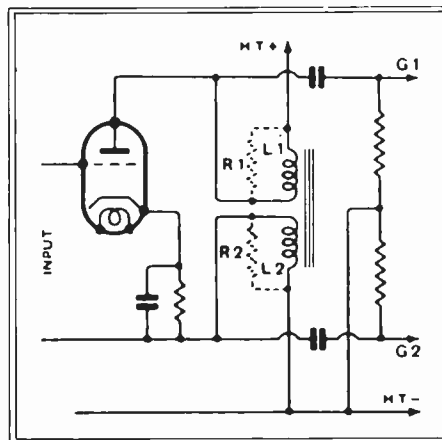
Effects of magnetic properties and thickness of single-layer cobalt-chromium media on perpendicular recording with a ring-shaped head are discussed in *IEEE Transactions on Magnetics*, vol. Mag-18, no. 6, November 1982. In this experiment Sony researchers achieved a recording density of 4.5kbit/mm using a ring-shaped head but the disc drive more recently described uses a w-shaped head to give a recording density of 2.58kbit/mm. Toshiba uses a ring-shaped head in its drive.

Obituary

Lawrence Henry Hewes Cooper, 'Dick' Cooper to his many friends and associates, died in hospital last February following an operation.

Born in 1912 and educated at Dulwich College, he spent a lifetime in electronic engineering. In his early career he worked with P.G.H. Voight at the Edison Bell Company, where he was involved in sound recording and reproduction. In 1933 he joined British Acoustic Films and worked on the design and installation of recording equipment at the Gaumont British Studios in Shepherds Bush. By 1935 he was working independently on the design of battery charging equipment using wet tantalum rectifiers, work which, coupled with other developments, led to the formation of Correx Communications and Correx Amplifiers. During this period he took out a patent for a modified form of push-pull drive circuit using a double-wound choke in place of the resistance or transformer feed circuit then in current use.

In June 1948, Transformer Equipment Ltd was founded and was soon serving many of the best known names in the electrical engineering industry. In addition to a wide range of other transformers, from 1958 the company made well known and widely used ultra-linear output transformer designed by J. Somerset-Murray.



Lawrence Cooper's phase-splitting circuit was the subject of an article in the 22 October 1937 issue of *Wireless World*. At that time, centre-tapped inter-valve transformers had been widely used for driving push-pull output stages but the demand for high-fidelity reproduction had led to resistive phase splitting circuits being introduced which became inefficient with low h.t. supplies. Mr Cooper's solution was to use a double-wound choke in place of the phase-splitting resistors to give a greater anode voltage with a lower potential difference between heater and cathode at low h.t. supplies.

Corrections

High-impedance electronics. In the first paragraph of this article, which appeared in the April issue, a line was dropped. The relevant section, nine lines into the paragraph, should read "... it saturates at 500 to 600mV as the junction becomes forward biased (Fig. 2). If the diode is connected between 'real' earth and the virtual earth ...".

Domestic alarm system. Several errors occurred in this article, published in the March issue. In Fig. 1, V+ should go to the right of the fuse, and C₂ (unlabelled) is connected to pin 4 of gate A. The Disarm-in line should continue to the disarm switch, bypassing pin 5 of IC₂, and the 1μF capacitor across IC₂ should still go to pin 5. Diodes across the relays are 1N4001, and the resistor on pin 4 of IC_{7(a)} is 680k not 220kΩ. The caption to Fig. 2 shows a 25s delay, not 20s.

In Fig. 3, the capacitor on pin 4 of IC_{7(a)} is 47μF, 16V and IC₁₀ is a 7555. The switches should be S₃ and S₄, not S₁ and S₂, which are fire and disarm in Fig. 1. Capacitor C_x is on pin 2 of IC_{7(a)}. Lines 14 and 15 of the first paragraph of page 30 should refer to FIRE, not FIRE, and line 2 of this page should say "IC₂ input".

The third line of paragraph two of the section headed 'Control unit' should refer to a 30s delay.

Organ interface for microcomputer

Principles used for each section of the software for the Nascom 2 organ interface and music editor, described in the June Issue, with source code listings for the critical elements.

The software is described in four sections, see panel. The first enables the microcomputer to repeat a performance made on the organ, with variation of speed, whilst the second provides the edit functions. The third section allows music to be typed into the microcomputer, and the fourth (in Forth) provides simple polyphonic extemporization.

The first section comprises only about 150 instructions. Only the first two sections were conceived when the interface was originally designed but to date the software has obstinately refused to stop growing.

Read and play routines

The system now has 24 register pairs. Two groups of 24 bytes of ram are designated console fields 1 and 2. When the read and play modes are entered, the console fields are set to represent the console switches with all keys off (status 0) and all stops cancelled (status 1). The PIO is then set up to mode 01 (input) and the interrupts are enabled, as described by the source listings given in List 1. It is worth commenting that four levels of interrupt have to be set: c.p.u. interrupt mode 2, PIO port B interrupt, c.p.u. enable interrupt, and pending interrupt disable. The last of these was particularly vexing: even Mostek did not seem to know about it when they wrote the provisional data sheet on the MK3881 PIO. It was finally laid to rest on page 109 of the Mostek 1979 Microcomputer Components Data Book. The address of the routine which services the interrupt is kept at the vector address.

Once the PIO and c.p.u. are ready to accept an interrupt, the microcomputer enters a wait loop which includes a scan of its own keyboard for the read-mode direct commands. On the Nascom 2 with NAS-SYS 3 this is accomplished very simply with the routine "in" (DF62H) which transfers the ASCII code for any character typed to the A register. When the interrupt arrives from the interface hardware, operation moves to the interrupt service routine (List 1) and the first byte is read in through port A to console field 2. The remaining 23 bytes follow at about 20µs intervals. Operation relies on the hardware working slightly faster than the software (which necessitates a short wait loop if the c.p.u. is running at 4MHz) but the hardware and software are re-synchronized

By R. D. Eason

after each byte because the hardware has to wait for the c.p.u. to raise the ready line.

Thus the status of each register is read into the appropriate place in console field 2 once per frame. Before operation returns to the wait loop for the next frame (i.e. as part of the interrupt service routine), the new console field is compared byte by byte with the previous one. If there has been no change, the null frame counter (n.f.c., a two-byte variable) is incremented. If something has changed, the contents of the n.f.c. and the number and revised status of the register or registers which have changed are read to the data field (which normally starts at 1340H) and the data field packed data pointer is incremented accordingly to the start of the next frame. Thus a frame comprises $3+2n$ bytes including the frame byte when n is the number of registers whose status has changed. The packed data and other pointers are sometimes parked in a scratchpad area of ram but where speed is important they are kept in register pairs of

Software breaks down into . . .

1. The read and play mode routines for transferring the data between the microcomputer and the organ, interrupt-driven via the PIO, and for converting this to and from data format.
2. The edit routines, based on a scan of the microcomputer keyboard in play mode and block transfers of sections of data in data format.
3. The translate mode routines for translating music typed into the microcomputer from entry format into data format, mainly by means of look-up tables.
4. A vocabulary of some 60 words in Forth (about 4K of compiled Forth code) which operates on both the duration and event components of themes in data format to produce some simple polyphonic extemporizations, including some basic harmonization rules, which could quite easily be extended.

the Z80 or where necessary on the stack. Both sets of registers are used to provide sufficient pointers for comparing console fields 1 and 2, which is probably faster than using the index registers would be. The source code for this part of the interrupt service routine is given in List 2. Once the information has been extracted from console field 2 it is transferred to the console field 1 position so that console field 2 becomes free for the next frame.

Operation in play mode is simpler than in read mode because comparisons are not required. As before, a console field is initiated and the PIO and interrupts are enabled in the same way, except that different vector and interrupt service routine addresses are used and that the PIO is set to mode 00 (output) via port B. The wait loop is then entered and includes the checks for the play mode direct commands. When the interrupt arrives, the console field is trundled out through port B into the 4094 latches and the n.f.c. is decremented.

Operation then returns to the wait loop, which includes a check of the n.f.c. When it reaches zero, control passes to the update console field routine, which takes less than one frame period. This routine inspects the next byte in the data field. If it is a frame byte, the next value of n.f.c. is taken and the process continues, but if it is a register number the revised status of that register (the following byte) is read to the appropriate position in the console field and so on until the frame byte is reached (software couplings can be introduced at this stage). Operation then returns to the wait loop so that when the next interrupt arrives the revised console field is read to the console latches.

Console field 2 (read mode) or the console latches (play mode) are reset for every frame whether or not anything has changed. Should an error occur due to triggering of the interface hardware by a noise spike (a rare event) it will quickly be corrected, normally within one or two frames. Similarly, the synchronization of hardware and software is achieved one or two frames after the execution of the play mode and read mode routines.

Edit routines

The principal edit routines are effected by the play mode direct commands J (join) and E (edit) once the edit points have been

selected. The principle is directly analogous to splicing tape recordings in that the Z80 block transfer routines (LDIR and LDDR) are used to move sections of a recording in data format from one part of the ram to another, with frame bytes overlaid. The lowest and highest source and destination addresses, as appropriate, are kept in a scratchpad area of ram for loading to the HL, DE and BC registers when everything is ready. Join throws away the intervening section (unless it has been kept by K (keep)) whilst edit inserts a new section as stored by keep. The edit routine needs to check whether the new section is longer, shorter or the same length as the old one using the length of the block from the highest edit point to an arbitrary upper limit, normally set to C000H. The lowest address for K is D000H; it can therefore store about five minutes of music (below F600H), whilst edit can accept an extra two minutes or so without interfering with what has been stored by K. Clearly the limits can be changed if this is not adequate.

Most of the remaining play mode direct commands either are simple conditional branches or cause modifications to fragments of code. For example, P (pause) in read mode merely removes the enable interrupt in the wait loop. Short cuts of this kind may not be good practice, but they are very convenient for a relatively simple control program written in machine code

rather than assembler, whilst being fast and compact. The two things to remember are firstly to keep a note in the source or reference listing of what is changed and of everything that changes it and secondly to remember to restore the program eventually. Entry points should also be clearly marked as a precaution against later changes to the code being entered, and one needs to be mindful of the branching protocol.

Early during the development of this system, the p.d.p. was parked in video ram between active frames to provide an indication of operation. It was soon found convenient when editing to decode the resulting hieroglyphics into a four-character address in hexadecimal.

Translate mode

The principles of operation are:

that the note values (durations) are translated directly into values of the null frame counter, incremented or decremented for each following + or - respectively;

the stop key codes are first translated into the appropriate register number and status by means of a look-up table.

The register status is then added or subtracted from the current status in the console field.

In each code group, the first character is

one of the eight directory characters H, R, P, S, T, L, ; and :. For H, R, P and T the next two characters are converted to look-up table addresses. For S, there is a further directory of three characters (H, R and P) which enable the same two-character stop codes which follow it to be used on each division of the organ.

Some care was needed over the construction of the look-up table. There is a trade-off between the complexity of the conversion process and the size of the table, which ended up with 384 bytes spread over 2.5K of memory (F600H to FFFCH). The interstices are not wasted: they gradually filled with various sub-routines and other scraps of program.

The first step in constructing the look-up table was to provide a complete set of addresses for the notes C1 to C5 (or C6) including "black" notes. Then two more such sets for the other two divisions are required, plus three further sets for stops and one for pistons.

To make it easier to avoid clashes, the table was divided exclusively by the second least significant half-byte of the 16 digit code, as follows:

Hauptwerk stops	0, 1 and 2
Natural keys and pedals	3 and 5
"Black" keys and pedals	4 and 6
Pedal stops	7, 8 and 9
Rugpositiv stops	A, B and C
Thumbpistons	D and E

ZIAP Z80 Assembler - Source Listing

```

1200      2500 SETID  ORG 1200H ; AF 37; SET PIO & WAIT
1700      2510 ENT
1700      2520 LD A FE2  ;) Set vector address to
1702 D306      2530 OUT (6) A ;) 10E2 (see 120A)
1704 3E4F      2540 LD A 4FH
1706 D306      2550 OUT (6) A ; Set PIO mode 01 (input)
1708 F051      2560 IM 2 ; Set CPU Interrupt Mode 2
170A 3E10      2570 LD A 10H ;)
170C F047      2580 LD I A ;) Set I Register
170E 116000    2590 LD DE 60H ; Set Frame Count for test
1710 C600      2600 ADD A 0 ; Set Flags
1712 3E07      2610 LD A 7H ;) Disable PIO Port B
1714 D307      2620 OUT (7) A ;) interrupt (Control 7)
1716 D804      2630 IN A (4) ;) Initiate Port A RDY
1718 3E87      2640 LD A 87H ;) Enable PIO Port A
171A D306      2650 OUT (6) A ;) interrupt (Control 6)
171C F0      2660 EI ; Enable CPU Interrupt
171E F3      2670 NOP
1720 3E07      2680 LD A 7H ;) Disable CPU Interrupt
1722 D306      2690 OUT (6) A ;) Disable PIO Port A
1724 D1 62      2700 DEFW 62DFH ; IN (scan keyboard once)
1726 FE30      2710 CP 30H ; 0?
1728 CA3010    2720 JP Z 1030H ; If 0, goto Play Mode
172A FE52      2730 CP 52H ; R?
172C CA5011    2740 JP Z 11E0H ; If R, Restart
172E FE2E      2750 CP 2EH ; ? (etc.)
1730 CA27F6    2760 JP Z FE627 ; If ., Reset PDF & return
1732      2770 ; to NAS-SYS monitor
1734      2780 ;
1736 C31912    2790 JP 1219H ; Loop, wait for interrupt
1738 0000      2800 DEFE 0 0
1740      2810 ;
1742 F3      2820 DI ; Disable CPU interrupt
1744 F5      2830 PUSH AF
1746 C5      2840 PUSH BC
1748 00      2850 NOP ; (DEC DE for testing)
174A 01419    2860 LD RC 1904H ;) Set byte count & Port A
174C      2870 ;) data address
174E 211000    2880 LD HL 0D18H ;) Set start of CF2 address
1750 3E17      2890 LD A 17H ;) Disable FIU
1752 D306      2900 OUT (6) A ;) pending interrupt
1754 D04011    2910 LALL 1140H ; Call "DELAY FOR 4MHZ"
1756 EDA2      2920 INI ; Input from Port A
1758 2015      2930 JR NZ -09H ; Loop until done
175A      2940 ; (Contd. on Fig. 2)

```

ZEAF Z80 Assembler - Source Listing

```

1252      3000 RMISR ORG 1252H ; AF38 ; READ MODE
1752      3010 ENT ; INTERRUPT SERVICE (contd.)
1754 211800    3020 LD HL 0D18H ; Init. 2nd frame Pointer
1756 D9      3030 EXX
1758 0618      3040 LD B' 18H ; Number of frames
175A 10000    3050 LD DE' 0000H ; Init. 1st frame pointer
175C 000000    3060 DEFE 0 0
175E 0E00      3070 LD C' 0 ; Null Frame Detector = 0
1760 1A      3080 LD A (DE') ; 1st frame byte to A
1762 D9      3090 EXX
1764 96      3100 SUR (HL) ;) Compare bytes from 1st &
1766 CA6E12    3110 JP Z 126EH ;) 2nd frames, hop if same
1768 7E      3120 LD A (HL) ;) 2nd frame byte to A if
176A D9      3130 FXX ;) it was different
176C 0C      3140 INC C' ; Inc. NFD
176E 73      3150 LD (HL') E' ; PDF puts regio. to DF
1770 23      3160 INC HL' ; Inc. PDF
1772 77      3170 LD (HL') A ; PDF puts reg. status to DF
1774 DI      3180 INC HL' ; Inc. PDF
1776 D9      3190 EXX
1778 D9      3200 INC HL ; Inc. 2nd frame pointer
177A D9      3210 EXX
177C 13      3220 INC DE' ; Inc. 1st frame pointer
177E 10ED      3230 DJNZ -11H ; Loop if E=0
1780 0000      3240 DEFE 0 0
1782 D9      3250 EXX
1784 BC      3260 PDF BC ;) Return Null Frame
1786 D9      3270 EXX ;) Counter (NFC)
1788 C'      3280 LD A C' ; Prepare to test NFD
178A 00      3290 ADD A 0
178C D9      3300 EXX
178E NZ 1287H  3310 JP NZ 1287H ; Hop if last frame active
1790 D9      3320 NOP
1792 BC      3330 INC BC ; Inc. NFC
1794 12E5H     3340 JP 12E5H ; End if it was not active
1796 00 0 0    3350 DEFE 0 0 0 ; NOP
1798 HL (0BA9H) 3360 LD HL (0BA9H) ;) HL as PDF at NFC
179A HL E      3370 LD (HL) E ;) position, & store NFC in
179C HL        3380 INC HL ;) DF with it, MSB first
179E HL C      3390 LD (HL) C
17A0 EC 0      3400 LD EC 0 ; Reset NFC
17A2 A 2FF     3410 LD A 2FF ;) Frame byte to DF
17A4 XY ;      3420 EXX ;) and inc. PDF
17A6 HL' A     3430 LD (HL') A ;)
17A8 HL' ;     3440 INC HL' ;)
17AA DEFE 0 0  3450 DEFE 0 0 ;) NOP
17AC (0BA9H) HL' 3460 LD (0BA9H) HL' ; PDF to scratchpad
17AE HL' 0D18H  3470 LD HL' 0D18H ;) Frame 2 to
17B0 DE' 0000H  3480 LD DE' 0000H ;) frame 1 position,
17B2 BC' 0D18H  3490 LD BC' 0D18H ;) ready for
17B4 DIK ;      3500 LDIX ;) new frame 2
17B6 HL' (0809H) 3510 LD HL' (0809H) ; Reload PDF
17B8 1160H     3520 CALL 1160H ; Call "PDF DECODE"
17BA A 2AA     3530 LD A 2AA ;) Temporary value of
17BC HL' A     3540 LD (HL') A ;) NFC to DF, as at
17BE HL' ;     3550 INC HL' ;) end of DF, and inc.
17C0 HL' A     3560 LD (HL') A ;) PDF to next regio.
17C2 HL' ;     3570 INC HL' ;) address
17C4 HL' 0D311H 3580 LD (0D311H) HL' ;) PDF to tabulate
17C6 XY ;      3590 EXX ;) position above CF2
17C8 AF      3600 PDF AF
17CA RETI ;      3610 RETI ; Return to wait loop

```

▲ List 1. PIO and interrupts are enabled for read mode. First part of the interrupt service routine reads in one frame from the console registers.

▲ List 2. Second part of the read mode interrupt service routine compares two successive console fields and transfers information on differences to the packed data field.

Furthermore, the key codes for the three divisions were divided exclusively by the least significant half-byte. From then on, things fell into place quite easily. For example, the address of the first byte in the table for any of the 49 Hauptwerk keys is found by adding B800H. Thus the register number for C3 (4333H in ASCII) is stored at FB33H, whilst its status is stored at FB53H. The Z (for #) adds a further 10H to give the corresponding table addresses for HC3#: FB43H and FB63H. At a later stage, extra routines were added to convert flats (indicated by ♭) to the corresponding sharps. The same conversion process works for all notes except A♭ for which an extra test is required, as shown in List 3. Again to keep the table reasonably compact the stop codes (e.g. P8 for Prinzipal 8') are divided into two groups: the first group having initial character P, Q, R, S, T, U, V, or W with all others in the second group.

The thumbpistons on the instrument in question are divided into five groups designated A1 to E3, plus four "disables". These codes are converted in a similar manner. The complete table of conversion factors (apart from those for the thumbpistons which are specific to the instrument) is shown at the foot of this column.

Some rearrangement might be required for different stop lists. The stop names and codes used on the instrument to which the interface is connected are shown in Table 2.

The directory character L (lift) causes a search through the 16 bytes of the console field which represent keys and pedals. If the status of any of these is non-zero, their register numbers are read to the data field with status zero. The console field is also reset to zero. Later keying entries in the same frame might cause a further change of status, but the final status is left in the console field when the data field is unpacked by operation in play mode.

When the translate routine is operated, up to eleven lines of 48 characters in video ram are scanned directly, one or two characters at a time, by the video ram pointer according to the video ram line and column count (VRLC and VRCC). Scanning ceases at ":". Spaces are ignored, except for the ones which define the ends of Duration definitions. Following any space, any character apart from the eight directory characters is treated as an error.

The knottiest part of this section is the part which sorts out the natural, sharp and flat notes and the keyings from releases. One way of doing this is shown in list 3, in which the two-character key codes as

List 3. In translate mode, each key code can have one or two following characters to indicate sharp, flat and/or release. This routine determines the appropriate conversion factors.

```

ZEAP Z80 Assembler - Source Listing

0E29      1000 TSTNC  ORG 0E29H ; MC4, 9 & 10 : TEST VRNC
0E29      1010 ENT      ; & CONVERT IT TO LUT ADDRESS
0E29 22590E 1020 LD      (0E59H) HL ; Ready VRP
0E2C 23    1030 INC     HL      ; Inc. twice to after
0E2D 23    1040 INC     HL      ; VRNC
0E2E C3700F 1050 JP      0F70H ; Goto flat routine
0E31 FE5A  →1060 CP      5AH    ; Z? (sharp test)
0E33 2B11  1070 JR      Z 13H ; Hop if sharp & load store
0E35 3E00  1080 LD      A 0    ; Load "black" note store
0E37 32AB10 1090 LD      (10ABH) A ; inactive
0E3A 7E    1100 LD      A (HL)  ; Reload same character
0E3B FE2D  1110 CP      2DH    ; -?
0E3D 2B11  1120 JR      Z 13H ; If -, goto load - store
0E3F 3E00  1130 LD      A 0    ; Load - store inactive
0E41 32AE10 1140 LD      (10AEH) A ;
0E44 1B11  1150 JR      13H   ; Goto VRNC routine
0E46 3E10  1160 LD      A 10H ; Load "black" store
0E48 32AB10 1170 LD      (10ABH) A ; active
0E4B 23    1180 INC     HL      ; Inc. VRP
0E4C 05    1190 DEC     B      ; Dec. VRCC
0E4D 7E    1200 LD      A (HL) ; If "black" note,
                    ; load - or space
                    ; Goto - test
0E4E 18EB  1220 JR      -13H ; Goto - test
0E50 3E01  1230 LD      A 1    ; Load - store active
0E52 32AE10 1240 LD      (10AEH) A ;
0E55 23    1250 INC     HL      ; Inc. VRP
0E56 05    1260 DEC     B      ; Dec. VRCC
0E57 E5    1270 PUSH   HL      ; Save VRP
0E58 2A590E 1280 LD      HL (0E59H) ; VRNC to HL (see 0E29)
0E5B 54    1290 LD      D H    ; Um. turn it right
0E5C 5D    1300 LD      E L    ; way round
0E5D 63    1310 LD      H E    ;
0E5E 6A    1320 LD      L D    ;
0E5F CD900F 1330 CALL  0F90H ; Call "A IF FLAT AND
0E62 010E  1340 DEFS  10EH ; CONVERT VRNC"
                    ;
                    ; FLAT ROUTINE
0F70 3E00  1360 LD      A 0    ; Flat and A flat stores
0F72 32A110 1370 LD      (10A1H) A ; reset (inactive)
0F75 32A310 1380 LD      (10A3H) A ;
0F78 05    1390 DEC     B      ; Dec. VRCC
0F79 05    1400 DEC     B      ; Dec. VRCC
0F7A 7E    1410 LD      A (HL) ; Fetch next character
0F7B FE5D  1420 CP      5DH    ; ♭? (flat)
0F7D 2B04  1430 JR      Z 6    ; If flat, deal with it
0F7F 7E    1440 LD      A (HL) ; Reload same character
0F80 C3310E 1450 JP      0E31H ; Goto sharp test
0F83 3E01  1460 LD      A 1    ; Set flat store active
0F85 32A110 1470 LD      (10A1H) A ;
0F88 3E10  1480 LD      A 10H ; Set "black" note
0F8A 32AB10 1490 LD      (10ABH) A ; store active
0F8D C34B0E 1500 JP      0E4BH ; Go back for next chrctr.
                    ; "A IF FLAT AND CONVERT VRNC"
0F90 3AA110 1520 LD      A (10A1H) ; Flat store contents to A
0F93 FE00  1530 CP      0      ; Inactive?
0F95 2B0A  1540 JR      Z 0CH ; Hop if inactive
0F97 7C    1550 LD      A H    ; Note letter code to A
0F98 FE41  1560 CP      41H    ; A?
0F9A 2005  1570 JR      NZ 7   ; Hop if not A
0F9C 3E07  1580 LD      A 7    ; Load A flat store
0F9E 32A310 1590 LD      (10A3H) A ; active (reset at 0F75)
0FA1 ED5EA610 1600 LD      DE (10A6H) ; MSB Convert
0FA5 19    1610 ADD     HL DE ; VRNC
0FA6 ED5EA610 1620 LD      DE (10AEH) ; "Black" to table
0FAA 19    1630 ADD     HL DE ; address of
0FAB ED5EA010 1640 LD      DE (10A0H) ; Flat ODN
0FAF ED52    1650 SBC     HL DE ; by adding
0FB1 ED5EA210 1660 LD      DE (10A2H) ; A flat conversion
0FB5 19    1670 ADD     HL DE ; factors
0FB6 C9    1680 RET      ; Return & continue

```

typed are designated VRNC (video ram note code) whilst the contents of the look-up table (LUT) are designated ORN and ORS (organ register number and organ register status).

Additional characters could be added to the main directory. For example, "," instead of ";" indicating a bar line before the next duration, using a different frame byte; would enable the microcomputer to vary rhythm and tempo. "X" might be used for expression (swell pedal) followed by a number in the range say 0 to 1FH to indicate degree of opening. This informa-

tion could also probably be stored in the frame byte.

Usually it is not necessary to type everything in. Most music contains sequences (phrases repeated at a different pitch) and echo passages. When this occurs the first phrase can be edited for the second or subsequent phrases.

Polyphonic extemporization

By this time, the original 150 instructions had grown to some 5K bytes of code, documented in about 60 pages of minute manuscript, some of which had been rewritten several times. Things were getting unwieldy and an alternative approach to programming seemed to be required. Forth came to the rescue. Using 'character fetch' and 'character store', together with four machine-code Forth words mainly extracted from the earlier programs, communication was soon established between the console field, the data field and the Forth stack. New console fields quickly blossomed, each one having its start address defined by a Forth constant, with

Continued on page 53

	Manuals		Pedals		Stops				
	H	R	P	H	R	P	H	R	P
Initial or second character	H	R	P	H	R	P	H	R	P
For m.s.b. address, add	B800	B805*	B80A*	A7D0	A870	A840	AFD0	B070	B040
To convert to l.s.b. address, add	0020	0020	0020	0001	0001	0001	0001	0001	0001
To convert to second group address, add							0800	0800	0800

*OK for keyboard compass to B5. Use B806 and B80C if C6 is needed. Additional conversion factors are used for "black" notes (0010), flats (0100) and A♭ (0700).

Digital filter design procedure

These examples of the design of a simple digital filter (June issue) and that of a fourth-order Butterworth filter show how laborious maths may be simplified and the recurrence formula written without having to solve a fourth-order equation.

Many digital filter requirements can be met without any more algebra than as shown. It remains a problem, however, to design a low-pass filter with anything approaching an ideal characteristic, just as it does in the analogue world. The well-known Butterworth filter has a flat characteristic in the pass band and a steep roll-off depending on the filter order. In the example, a digital equivalent to a Butterworth filter is designed, and rather laborious algebra is involved. So far as is possible, this is worked in general form so that it can be applied to other filters with different cut-off frequencies, and one or two short cuts are pointed out.

To obtain a steep roll-off a high order is required, but this would need many terms in the recurrence formula, resulting in a time delay that would probably be too great for the filter to operate in real time. The order must be chosen with the ability of the hardware in mind. With this in view a fourth-order filter is worked as an example, as this is the minimum order which shows the Butterworth characteristic clearly.

Cut-off frequency is a function of the sampling frequency. Suppose a 4kHz base-band slot were sampled at the Nyquist rate (8kHz), with the requirement to filter the input so that there is no distortion in the pass band and a sharp cut-off at 3kHz. Then the required cut-off frequency is $\frac{3}{8}$ of the sampling frequency: $f_c = 3f_s/8$.

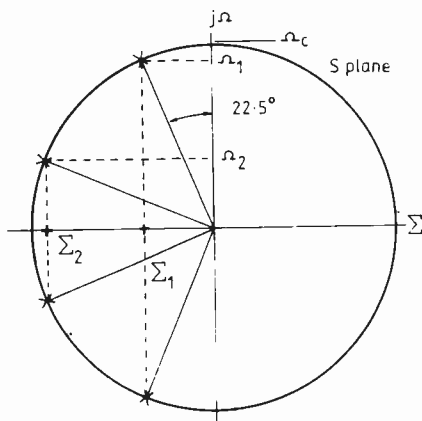


Fig. 9. S-plane diagram of a fourth-order (analogue) Butterworth filter.

by J. T. R. Sylvester Bradley

Bilinear transformation. The analogue Butterworth filter has a transfer function with a flat characteristic at low frequencies, rolls off sharply at the cut-off frequency and falls to zero at an infinite frequency. The digital version must follow the analogue characteristic as closely as possible, with a flat characteristic in the pass band, roll-off sharply at cut-off, and then fall to zero at f_{max} (not infinity, as for an analogue filter; f_{max} is half the sampling frequency and is the maximum frequency that can be processed by the digital filter). We have to make the frequencies on the z-plane correspond with those on the s-plane of the analogue equivalent. One way to make the frequencies correspond is use the mapping*

$$s = \frac{2(z-1)}{z+1}$$

It follows that the frequencies on the z-plane are represented by angles (ωT) so

$$\omega T = 2 \tan^{-1} \omega / 2.$$

T is the sampling period. Thus the z-plane maximum frequency is ω_{max} corresponds to an analogue frequency given by

$$\tan \frac{\omega_{max} T}{2} = \tan 90 = \text{infinity}.$$

So having chosen the cut-off frequency ω_c as $\frac{3}{8}$ sampling frequency on the z-plane the equivalent analogue cut-off frequency Ω_c is

$$\Omega_c = 2 \tan \frac{\omega_c T}{2}$$

In general, for a nth-order filter $H(s) =$

$$\frac{\Omega_c^n}{(s + \Sigma_1 \pm j\Omega_1)(s + \Sigma_2 \pm j\Omega_2) \dots (s + \Sigma_{n/2} \pm j\Omega_{n/2})}$$

*See page 207 of Digital Signal Processing by Oppenheim and Schaffer.

There are poles on the s-plane where $s + \Sigma_i \pm j\Omega_i = 0$ ($i=1$ to $n/2$). Using the transformation given, the poles on the z-plane are where

$$\frac{2(z-1)}{z+1} + \Sigma_i \pm j\Omega_i = 0.$$

$$\therefore \text{For } +j\Omega_1, 2-2z = \Sigma_1 z + j\Omega_1 z + j\Omega_1 + \Sigma_1.$$

$$\therefore \text{For pole 1, } z_1 = \frac{2 - \Sigma_1 - j\Omega_1}{2 + \Sigma_1 + j\Omega_1}$$

Design method

- Filter data: f_c 3kHz, f_s 8kHz, $\therefore f_{max} = 4$ kHz and

$$\omega_c T = \frac{2 \times 3000}{8000} = 2.356.$$

- Pre-warp the cut-off frequency to obtain the equivalent analogue cut-off frequency

$$\Omega_c = 2 \tan \frac{\omega_c T}{2} = 2 \tan 1.178 = 4.828.$$

- Draw the s-plane diagram for the equivalent analogue Butterworth filter. This has poles distributed equally round the left-hand side of a circle (the Butterworth circle) of radius Ω_c , Fig. 9. The positions of the poles are given in terms of $\Sigma + j\Omega$ as

$$\begin{aligned} p_1 \quad \Sigma_1 &= \Omega_c \sin 22.5 = 1.848 \\ \Omega_1 &= \Omega_c \cos 22.5 = 4.460 \\ p_2 \quad \Sigma_2 &= \Omega_c \cos 22.5 = 4.460 \\ \Omega_2 &= \Omega_c \sin 22.5 = 1.848. \end{aligned}$$

Similarly for p_3 and p_4 in conjugate positions.

- Find the positions of the corresponding poles on the z-plane.

$$\text{For } p_1 \quad Z_1 = \frac{2 - \Sigma_1 - j\Omega_1}{2 + \Sigma_1 + j\Omega_1}$$

$$= \frac{2 - 1.848 - j4.460}{2 + 1.848 + j4.460} = 0.758 \angle -137.2^\circ$$

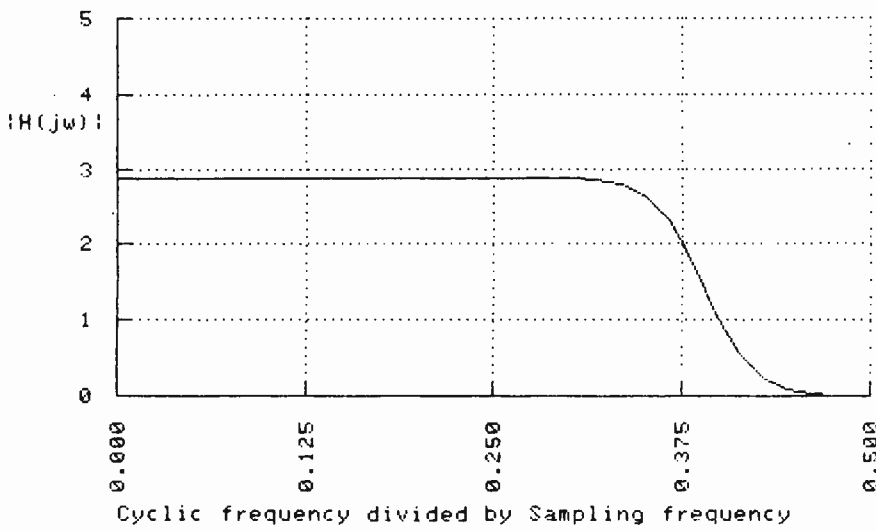


Fig. 10. Z-plane diagram and $|H(j\omega)|$ frequency spectrum of the fourth-order digital Butterworth filter showing a typical flat response up to the cut-off frequency.

for p_2

$$Z_2 = \frac{2 - 4.460 - j1.848}{2 + 4.460 + j4.460} = 0.458 \angle 159.1^\circ$$

with P_3 and P_4 as their conjugates.

● Draw the z-plane diagram and hence the $|j\omega|$ spectrum of the filter, Fig. 10.

● Find the z-transfer function $H(z)$ from $H(s)$. In general form first,

$$H(z) = \frac{G(z+1)^4}{z + a_1 z^4 + a_2 z^3 + a_3 z^2 + a_4}$$

where a_1 to a_4 are the pole parameters, and G is a gain factor. The zero parameters are the coefficients of z in the numerator, which could be found by multiplying out. But this is not necessary as the coefficients are simply the binomial coefficients, which for the fourth-order expression are 1, 4, 6, 4, 1 (b_0, b_1, b_2, b_3 and b_4). Now in general

$$H(s) = \frac{\Omega_c^4}{(2 + \Sigma_1 \pm j\Omega_1)(s + \Sigma_2 \pm j\Omega_2)}$$

$$= \frac{\Omega_c^4}{As^4 + Bs^3 + Cs^2 + Ds + E}$$

where $A=1$

$$B = 2\Sigma_1 + 2\Sigma_2$$

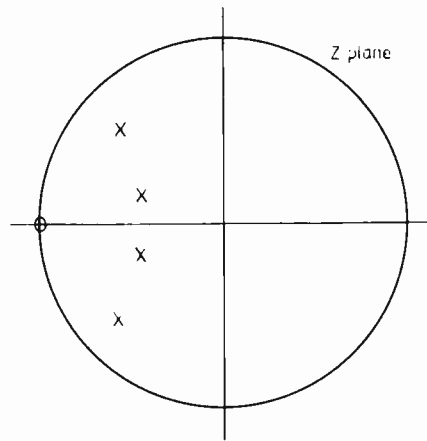
$$C = \Sigma_1^2 + \Omega_1^2 + \Sigma_2^2 + \Omega_2^2 + 4\Sigma_1\Sigma_2$$

$$D = 2(\Sigma_1^2\Sigma_2 + \Omega_1^2\Sigma_2 + \Sigma_1\Sigma_2^2 + \Omega_2^2\Sigma_1)$$

$$E = \Sigma_1^2\Sigma_2^2 + \Omega_1^2\Omega_2^2 + \Omega_1^2\Sigma_2^2 + \Sigma_1^2\Omega_2^2$$

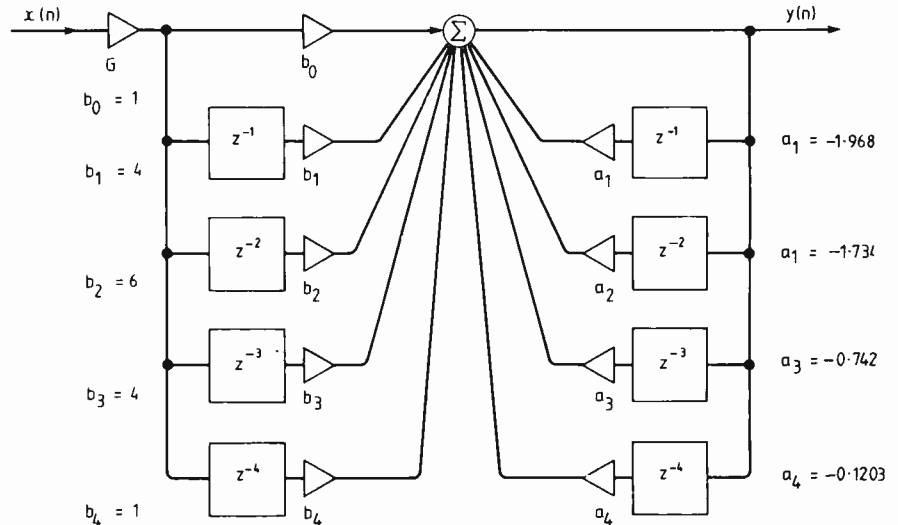
To find $H(z)$ use the bilinear transformation and substitute $s = 2(z-1)/(z+1)$, whence

$$H(z) = \frac{G}{16A \left(\frac{z-1}{z+1}\right)^4 + 8B \left(\frac{z-1}{z+1}\right)^3 + 4C \left(\frac{z-1}{z+1}\right)^2 + 2D \left(\frac{z-1}{z+1}\right) + E}$$



The denominator multiplied out and with like terms collected is

$$(16A + 8B + 4C + 2D + E)z^4 + (-64A - 16B + 4D + 4E)z^3 + (96A - 8C + 6E)z^2 + (-64A + 16B - 4D + 4E)z + (16A - 8B + 4C - 2D + E)$$



Now obtain the coefficients of z in the $H(z)$ transfer function equation by evaluating A, B, C, D and E from the values for $\Sigma_1, \Omega_1, \Sigma_2, \Omega_2$ given earlier ($\Sigma_1 = \Omega_2 = 1.848, \Sigma_2 = \Omega_1 = 4.46$). Then

$$A = 1$$

$$B = 2\Sigma_1 + 2\Sigma_2 = 12.616$$

$$C = \Sigma_1^2 + \Omega_1^2 + \Sigma_2^2 + \Omega_2^2 + 4\Sigma_1\Sigma_2 = 79.58$$

$$D = 2(\Sigma_1^2\Sigma_2 + \Omega_1^2\Sigma_2 + \Sigma_1\Sigma_2^2 + \Omega_2^2\Sigma_1) = 294.04$$

$$E = \Sigma_1^2\Sigma_2^2 + \Omega_1^2\Omega_2^2 + \Omega_1^2\Sigma_2^2 + \Sigma_1^2\Omega_2^2 = 543.2$$

The parameters of z in the denominator are conveniently evaluated using the tabular form shown on the next page (top).

Totals are normalized to a_0 . This only affects G , which can be made any convenient value in a digital filter, so dividing both numerator and denominator of the general $H(z)$ by a_0 yields

$$a_0 = 1$$

$$a_1 = 1.968 \quad a_3 = 0.7242$$

$$a_2 = 1.734 \quad a_4 = 0.1203$$

and substituting these values in $H(z)$ gives the transfer function $H(z) =$

$$\frac{G(z+1)^4}{z^4 + 1.968z^3 + 1.734z^2 + 0.7242z + 0.1203}$$

$$= \frac{Y(z)}{X(z)}$$

The coefficients of x and y in the recurrence formula can be read directly from the transfer function in this form

y coefficients	x coefficients
$a_1 = -1.968$	$b_0 = 1$
$a_2 = -1.734$	$b_1 = 4$
$a_3 = -0.7242$	$b_2 = 6$
$a_4 = -0.1203$	$b_3 = 4$
	$b_4 = 1$

The b coefficients in the recurrence formula are simply the fourth-order binomial coefficients. Cross-multiplying gives

$$Y(z) \cdot z^4 + 1.968Y(z) \cdot z^3 + 1.734Y(z) \cdot z^2 + 0.7242Y(z) \cdot z + 0.1203Y(z)$$

$$= GX(z) \cdot (z+1)^4 X(z)$$

$$= GX(z) \cdot (z^4 + 4z^3 + 6z^2 + 4z + 1)$$

Fig. 11. Realization diagram for the fourth-order digital Butterworth filter.

	z^4 a^0	z^3 a^1	z^2 a^2	z^1 a^3	z^0 a^4
A	16A=16	-64	94	-64	16
B	8B=8×12.62	-16×12.62		16×12.62	-8×12.62
C	4C=4×79.58		-8×79.58	4×79.58	
D	2D=2×294.04	4×294.04		-4×294.04	-2×294.04
E	E=543.2	4×543.2	6×543.2	4×543.2	543.2
Totals	1566.6	3083.1	2716.6	1134.5	188.5

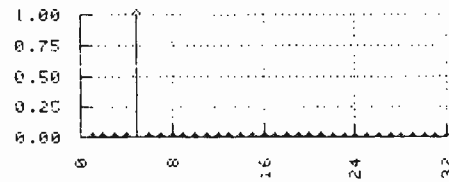
Output Values

```

0
0
0
0
1
2.032
.267024
-.79099
.465606
.0126832
-.27753
.073862
-.123148
-.00281211
.0990615
-.00677611
.0366218
9.98548E-03
-.0399519
.0250149
-9.10747E-03
-4.42923E-03
9.55125E-03
-7.36612E-03
2.32072E-03
1.65496E-03
-2.96295E-03
2.12561E-03
-5.5299E-04
-5.98447E-04
9.15722E-04

```

INPUT



OUTPUT

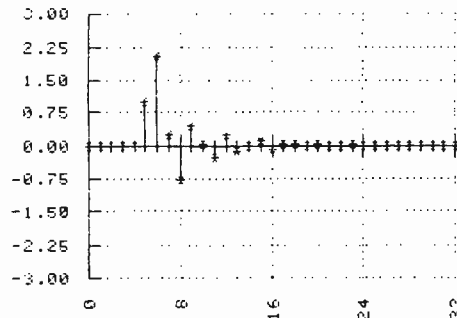


Fig. 12. Fourth-order Butterworth filter in action, showing impulse response with the filter "ringing" at $\frac{3}{8}$ of the sampling frequency, as expected.

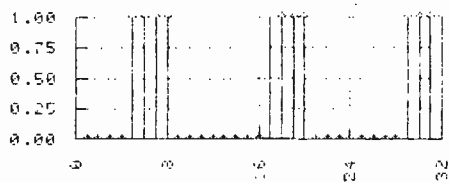
Output Values

```

0
0
0
0
1
3.032
3.29902
2.50003
1.97364
-.0456772
-.590231
.474622
-.114132
-.154937
.221655
-1.09966
1.0198
3.08991
3.22792
2.5497
1.96958
-.0641499
-.569203
.46327
-.114058
-.148777
.215299
-.13683
1.02007
3.08792
3.22981

```

INPUT



OUTPUT

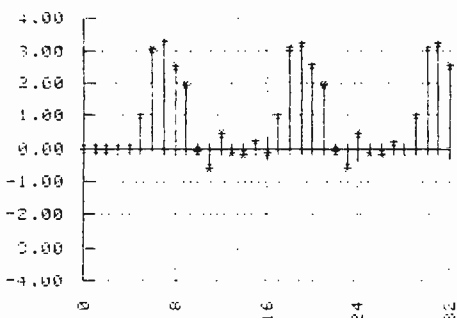


Fig. 13. Filter processing a series of four-sample pulses.

Dividing by z^4 gives

$$Y(z) = -1.968Y(z).z^{-1} - 1.734Y(z).z^{-2} - 0.7242Y(z).z^{-3} - 0.1203Y(z).z^{-4} + G\{X(z) + 4X(z).z^{-1} + 6X(z).z^{-2} + 4X(z).z^{-3} + z^{-4}\}$$

$$y(n) = -1.968y(n-1) - 1.734y(n-2) - 0.724y(n-3) - 0.1203y(n-4) + x(n) + 4x(n-1) + 6x(n-2) + 4x(n-3) + x(n-4)$$

written directly into a computer to realize the filter. Impulse response is shown at Fig. 12, from which it can be seen that the filter rings at $\frac{3}{8}$ of the sampling frequency f_s , as expected.

WW

The gain G can be put external to the filter and can therefore be assumed equal to unity. The recurrence form is therefore and the realization diagram is drawn at Fig. 11. The recurrence formula can be

Planning for plenty

continued from page 27

The Government shows no sign of being on the brink of licencing new radio services, perhaps because so far attempts to press it to do so have been ill-organised and incoherent. But it is important that engineers — without whom no radio services can ever be possible — become involved in the discussion about future directions for our radio services. Perhaps they can bring to it some clarity, cohesion — and common sense!

Further reading

Partridge, S. "Not the BBC/IBA: The Case For Community Radio" Comedia Publishing Group ISBN 0 906890 18 7 (9 Poland Street, London W1V 3DG)

Relay — the other magazine of the airwaves available quarterly from Box 12, 2A St Paul's Road, London N1 — annual subscription £2 for individuals

References

1. McLeod, N. "Community Radio" *Wireless World* vol 86 June/July 1980
2. *Commons written answers* no.59 and no.60 29 March 1983. Speaking specifically about community radio, Mr Whitelaw said: "... given the resource demands of other developments in the broadcasting field, and since the spectrum available in the longer term is not yet known, I have concluded that it would not be right to take matters further at present. However, in the preparation of UK proposals for the v.h.f. Band II Broadcasting Planning Conference next year, account will be taken of the possible needs of community radio with the aim of reducing the spectrum constraints which could otherwise apply in the future; and further consideration will be given to the possible development of community radio when the outcome of the Conference is known ..."
3. Local Radio Workshop Ltd. "Local Radio in London" ISBN 0-950-8114-0-8 (12 Praed Mews, London W2 1QY)
4. Sarah Clay & Partners, Report F19 "The Technical Feasibility of Community Radio in London" November 1979 (77 Park Road, Teddington, Middlesex TW11 0AW)
5. Home Office Local Radio Working Party — Third Report (50 Queen Anne's Gate, London SW1H 9AT)
6. Sarah Clay & Partners, Report F29 "Comments of the Third Report of the Local Radio Working Party" April 1981
7. Wireless Workshop "New Radio Services in London" January 1983 (25 Ditchling Rise, Brighton East Sussex BN1 4QL)
8. CCIR recommendation 368-2, XIIIth Plenary Assembly, Geneva, 1974

WW

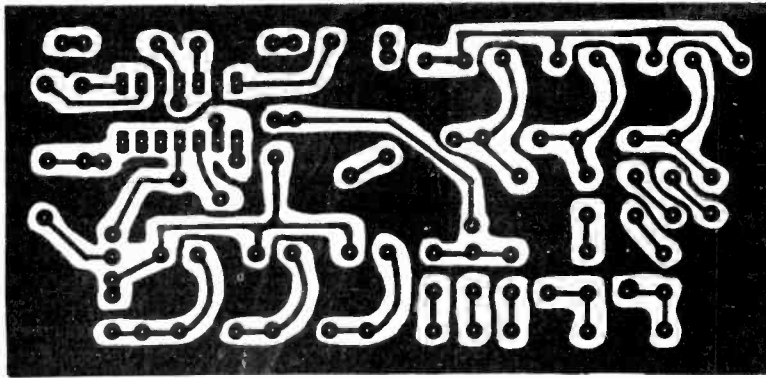


Fig. 2. Printed circuit board for the unit, shown full-size.

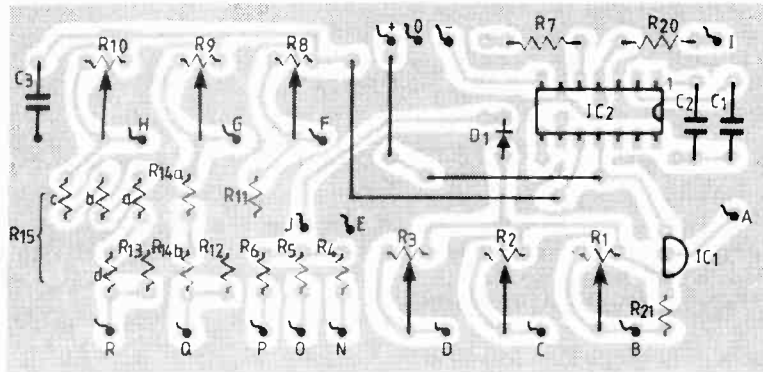


Fig. 3. Component plan for the printed circuit board.

cated equipment is more suitable for the measurement of high resistance and insulation resistance.

For the odd occasion when high values need to be measured a fair indication can be obtained by connecting the unknown resistance in parallel with a high value known resistor, measuring the pair, then calculating the value of the unknown using Ohm's Law.

Construction

A suggested p.c.b. is shown in Fig. 2, with a component overlay in Fig. 3. The layout can stand alone or it can be printed on the same board as the voltmeter. Position 7 of the voltmeter switch can be used for the add-on unit if the resistors which only use the switch as a tag-board are moved round. There is no need to have the voltmeter input divider present at all since the resistance unit output is 10mV. If the input and output leads are kept separate then the wires between the switch and board can be laced together.

Calibration

If the resistance unit is carefully set up there is no need for panel-mounted adjustments because the accuracy is independent of the supply voltage. There are two variables in the circuit: the test current and the gain of IC₂. It is unlikely that the average constructor will have the equipment to measure a current of one microamp with any degree of confidence except by indirect methods, so we must look for another reference point in the circuit. We have one if IC₂ is driven to its output limiting condition, provided that the supply voltages remain constant. However, as with the voltmeter itself, the internal current-limiting feature of the 7650 should not be used in this circuit (i.e. pin 9 of IC₂ must not be connected to pin 4).

Before starting to set up the unit, give the construction a final check, then put a pencil mark on the meter scale about two divisions (4%) past the end of the normal f.s.d. scale position. Leave the input terminals open circuit and set all resistance trimmers to half way except R₁ which should be set to maximum.

Power up the circuit and, if a battery model is being calibrated, set the supply voltage to 8V (equivalent to a low battery). Adjust R₈ on the 1Ω range, R₉ on the 100Ω range and R₁₀ on the 100kΩ range so that the meter needle just rests over the mark previously made on the scale.

Now, a non-inverting amplifier under dynamic conditions has three points of equal potential: the two input terminals and the tap on the feedback divider. In this circuit the lower part of the feedback divider is fixed, therefore the voltage across this portion is equal to the input voltage. Those last three adjustments effectively set the gain of the amplifier so that with a 4% overload at the input we have a 4% overload at the output. At the same time we are defining the point at which the amplifier limits, thereby setting the maximum output to the following voltmeter when the resistance unit terminals are open circuit.

voltmeter will then get a nasty surprise every time the resistance terminals become open circuit!

The constant current source can be provided using a purpose-made integrated circuit, but protection for the meter is more of a problem. All the i.c.s used in the voltmeter described last month are capable of withstanding the full supply voltage at their input terminals; but there is still the meter movement to worry about because there is insufficient voltage headroom to incorporate current limiting in series with it.

The sensible answer is to place the limitation in the resistance measuring unit such that whatever the condition of its input terminals its output cannot exceed a value just in excess of full scale deflection of the voltmeter on its lowest range. The voltmeter could then be left switched to this range (or be directly connected) and the resistance scale switching effected from the resistance unit.

Circuit description

The circuit is shown in Fig. 1. IC₁ is a small transistor-sized i.c. designed to allow a constant current to flow in any circuit with which it is connected in series. The value of the current is determined by a resistor R_{set} connected between the R terminal and the negative terminal of the device. The i.c. is tolerant of a fairly wide voltage range across its terminals, but its output is temperature-dependent. Compensation is provided by the addition of D₁ and R_{comp} (R_{4,5,6}).

Without compensation the value of the

current is calculated as $I(\text{mA}) = 67.7/R_{\text{set}}$. Addition of the compensating components approximately doubles this value, and so the formula to use in this case is $I(\text{mA}) = 67.7/(2 \times R_{\text{set}})$. R_{comp} should be about ten times R_{set}. The term approximately is used because, strictly, the value of R_{comp} should be found by trial and error for each particular device; but the values indicated here will be found satisfactory.

IC₁ and D₁ drop about 1.6 volts. To leave some leeway, the voltage across the unknown resistor was calculated not to rise above 1V during measurement. With no resistance being measured (that is, the input terminals open circuit) the terminal voltage would rise almost to the supply rail. To prevent this, IC₂ (protected by R₇) amplifies the voltage across the input terminals in such a way that when this voltage just exceeds the maximum value permitted for the range in use, the output limits. The gain of the amplifier is changed by R₈-R₁₅ to ensure that this is achieved. Taps are taken from the feedback network so that whichever range is selected, the output to the voltmeter provides a full scale deflection of 10mV. This obviates the need to switch the voltmeter.

Since there is no ready means of checking the current out of IC₁, test resistors (one for each current range) can be optionally included.

The ability to measure resistances over 1 megohm is not often required in radio work and its implementation is not practical using this circuit. This is because of the low voltage available and the limitation on the voltage applied to IC₂ (±8V). Dedi-

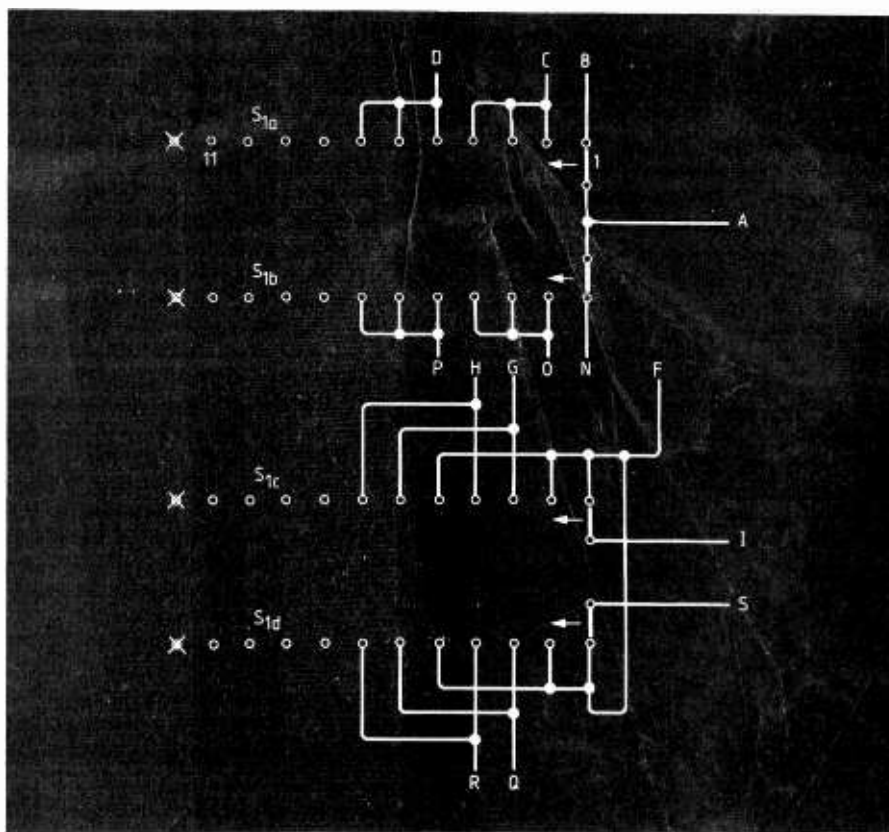
Fig. 4. Wiring the range switch S_1 . Tags are shown diagrammatically, viewed from the rear of the panel. There are only 11 contacts on the front of each wafer: the twelfth is on the reverse side and is not used. The stop of the switch mechanism is positioned so that only the first seven contacts are used.

Having set the gain of IC_2 now set the test currents by switching the standard resistors to the input terminals and adjusting R_1 with 1Ω , R_2 with 100Ω and R_3 with $100k\Omega$ to obtain full-scale deflection on the appropriate scales. The adjustments should be carefully carried out at each stage since the test currents and amplifier gains do not go in pairs: one test current serves three gain settings and so each adjustment should be as near perfect as possible.

In battery-operated models with a fresh battery fitted the limiting voltage of IC_1 is higher, so that under input open-circuit conditions the meter needle will hit the forward stop. Accuracy will not suffer, but IC_1 will not limit until an overload of more than 4% has been applied. The half-supply

Scale	I	V(Rx)	IC_2 gain	V_{out}
1Ω	10mA	10mV	500	10mV
10Ω	1mA	10mV	500	10mV
100Ω	1mA	100mV	50	10mV
$1k\Omega$	1mA	1V	5	10mV
$10k\Omega$	$1\mu A$	10mV	500	10mV
$100k\Omega$	$1\mu A$	100mV	50	10mV
$1M\Omega$	$1\mu A$	1V	5	10mV

difference between a new battery at 9V and an old one at 8V is 12%. In the new-battery condition therefore the meter tries to read 112.5%, so it is in no great danger.




The table (left) indicates the status of the various parts of the circuit on different ranges; this may also be useful in interpreting the connections of the range switch.

For testing capacitors, the $1M\Omega$ range can be used. The meter needle will move downwards indicating a low resistance until the capacitor becomes charged. Semiconductor diodes can be tested on the $1k\Omega$ range, and the forward voltage drop of the diode deduced from the table. Obviously the test current cannot be forced

through a reverse-biased diode.

Components

For the four sections of S_1 , four one-pole 12-way miniature switch wafers may be used. The diodes and integrated circuits are obtainable from RS Components or from Technomatic Ltd. Cermet trimmers are recommended for the variable resistors. The fixed resistors should be 1% tolerance or better; a suitable range is available from Ambit International. 

BOOKS

TV for Amateurs, by John L. Wood, G3YQC. Paperback, 52pp. Available from BATC Publications, 14 Lilac Avenue, Leicester LE5 1FN, for £1.75 including inland postage.

It is said that around one-sixth of British households now have a video recorder. No doubt amongst all those householders there must be quite a few who would like to use their video equipment on the air; and for them, this book provides an excellent practical guide. It does not attempt to replace the more comprehensive Amateur TV Handbooks also published by the BATC, but provides enough circuit designs and background information to enable the average radio amateur to set up a basic television station. There is a useful section on operating practices and, for the more faint-hearted, a list of sources of some of the commercially-made transmitting equipment now becoming available to the t.v. amateur.

STTI's International Satellite Television Reception Guidebook, by Stephen J. Birkill. 78 pages $8\frac{1}{2} \times 11$ in, paperback, from Satellite Television Technology, PO Box G, Arcadia, Oklahoma 73007, USA. Price \$40.

After the less-than-rapturous reception accorded by the British public to the latest newcomers to the television airwaves, some may wonder how many more channels the viewer really wants. For satellite television enthusiasts, such considerations of programme content do not apply. In the United States, and increasingly in Europe, commercially-available satellite receiving terminals for the home are making it possible even for non-technical people to eavesdrop on the multitude of programmes from the skies. This book is aimed at the installers and owners of such equipment, and it offers a satellite-by-satellite guide to the sort of transmissions to expect and where to look for them. As well as broadcasts for direct reception, these include distribution links for terrestrial t.v. services and international exchanges such as the daily news feeds.

The author is one of the leading British authorities on satellite t.v. reception, and

he provides a great deal of practical information which is otherwise difficult to obtain – for example, technical details and operational information about some of the many Soviet communications satellites, much of which has been compiled from his own detailed observations. It must be hoped that the engineers at the Dubna ground-station are not already behind bars as a result of Mr Birkill's revelations: on Friday nights, apparently, they keep their Gorizont satellite channel open with such un-Soviet material as Bugs Bunny cartoons and old editions of BBC-tv's 'Top of the Pops'.

The book contains no constructional information, though it does offer a few technical suggestions for improving reception. Among these are hints at ways of getting round the video and audio scrambling on which some of the more unsporting telecommunications authorities insist. The text is extensively illustrated with off-screen photographs, mostly taken at the author's home in the North of England, and the many diagrams include visibility charts and band plans for a wide range of satellite-borne services. It is a pity that the book is so expensive.

LETTERS

KNOW HOW — RESOURCE OR PROPERTY

Your editorial (April, 1983) poses a fundamental question: to whom should the resources of the planet (including the airwaves) and technology (including the entire means of production, distribution and communication) belong? The Right and Left appear to have opposing answers, but in reality their social objectives are more similar than they are different. Both Right and Left stand for a minority possession of the earth's resources — even though the state capitalism of the Left is presented as 'public ownership'. Both Right and Left accept the market as the economic arbiter of need — with the Left indulging in Keynesian fantasies about regulating the market so as to make profit coincide with need.

The alternative to a system of minority ownership and control, where goods and services are produced for sale on the market with a view to profit, is a social order based upon common ownership and democratic control of the earth by all of its inhabitants. In such a system of society production will be solely for use, with no buying and selling, but free access to the available resources. The aim of creating a genuine socialist society defies the imaginations of both the Right and the Left, both of which confine themselves to the sterile debate between private and state capitalism. Yet in a world which modern communication technology has turned into a global village, are not those of us who aim to end property and the market and simply produce for use attempting no more than to harmonise productive forces — which are the product of an age of science — with social relations — which, in their present, capitalist form, are a product of centuries past?

Stephen Coleman
Clapham
London

PROGRESS?

By now your readers must all have a wide selection of electronic equipment around the house and in the interest of progress it is time to take a look at the most old-fashioned and inefficient of these, the telephone. To do so may assist anyone contemplating working for British Telecom.

In ten years in central London my phone has gone wrong dozens of times and has taken up to three weeks to repair. Lately research on these goings-on has uncovered an internal message system instituted since the split with the Post Office and rather slower, which is doubtless a good deal more costly as well on account of the much smaller traffic. Another discovery is that the microphone inserts are liable to failure every few years which leads to inadequate current for dialling, but they can often be ameliorated by banging. However at best they only yield faint speech at the other end due to their inherent weakness and the long runs of thin underground wiring met in calls across London; this lack of decibels cannot be cured as it does not officially exist.

However what we have here is a century-old instrument that has retained a tariff keeping its use to a fraction of the public (when modern technology would have started by considering

every household a market and worked from there) and causing severe worry to commercial firms, with many exchanges still based on principles developed by an undertaker, Strowger, bent on preventing eavesdropping by operators who apprised his rivals of deaths, thus emphasising the lack of privacy carefully maintained by British Telecom today with massive bugging installations which Duncan Campbell of the New Statesman has pointed out beam to American bases by microwave the entire cross-channel telephone traffic for some reason — a wild allegation which a Parliamentary reply carefully avoided denying. (There are said to be rocks ahead over enabling BT as a private firm to continue this task.)

A friend who worked at the BT HQ complained that he was kept re-hashing stuff from 6 years before but in the matter of telephone exchanges their deficiencies are more serious. After taking 10 years to perceive that the gas-tube driven one at Highgate Wood did not actually work, they embroiled British manufacturers in the TXE4 which was an early Sixties design still being tidied up in the middle Seventies.

About that time they wrote to my mother explaining they were about to install the latest electronic equipment and I observed they wouldn't even recognise the latest electronic equipment if they saw it. How unkind was this? Well, the right thing to run telephone exchanges is a computer, but ITT, according to Anthony Sampson's book "ITT — the Corporate State", used to keep a man in New York specially to stop engineers developing computers, since this might have involved some sort of collision with IBM. So there they were messing around with r.t.l. in the TXE4, and System X was born, another failure the last I heard.

When I consider the robust telephones we had before the war which often had to be held away from the ear to reduce volume for comfort, much the same as the instruments people were using on 300-mile runs of robust overhead wires before 1900, I remark that since then we have been robbed of telephone numbers by the introduction of STD, whereby the dialling code is a function of two variables, caller's exchange and exchange called. We have been given coin boxes which do not take 20p pieces followed by coin boxes which do not take 5p pieces, and the latter have no provision for directories.

None of this is funny at a time when electronics everywhere is getting cheaper in leaps and bounds. Obviously the private telephone is a cost problem since many people only make 2 calls a week. The obvious answer these days is simply to incorporate elaborate micro-circuits to do something fairly appropriate; I suspect this would first involve bunching phones in fifties on a sort of ring main rather like the first transatlantic cable speech amplifiers, supplying +50V and -50V and allowing each phone a 1.5V drop as its supply; speech and instructions would be digitized and sent by packet-switching techniques, but later I would expect telephones to be powered from subscriber's mains so they could use optical fibre connections. In view of techniques of optical isolation available for decades now at speech frequencies, I would expect subscribers to be able to have such isolation if they wished and then to be allowed to connect anything they pleased provided it would receive and transmit calls while avoiding the frequencies used by BT for dialling via trunk lines.

Bernard Jones
London W1

AERIALS AT SEA

Perhaps we are tiring of the subject of 'Aerials at sea'. However, I have a suggestion relevant to liferaft aerials.

A useful aerial would be a vertical loop. This works well at low height, and as it is low-impedance, would not be too upset by salt spray. The main problem with a loop is to obtain a sufficiently low r.f. resistance. This is achieved by using a sufficiently large gauge of conductor, which may be hollow, because of skin effect.

I imagine a loop in the form of an inflated torus, similar to a large bicycle inner tube, metallized on the enclosed surface, made part of the structure of an inflatable liferaft.

As a starting point for a design, a land-based rigid loop, as used by the US Army, is described in "Amateur Radio Techniques" by Pat Hawker (G3VA) (p 234, 5th edition).

D. Parnell
Pickering
N. Yorkshire

RADIO AMATEURS EXAMINATION

The periodic review of the syllabus for the Radio Amateurs Examination is now due and the City and Guilds R.A.E. Subject Committee has established a working party for this purpose.

The principal objective of the examination is to ascertain the candidate's ability to operate an amateur station within the terms of the licence and not necessarily to test expertise in particular aspects of the Amateur Service. Suggestions for alterations or amendments to the existing syllabus would be welcome and should be sent to Mr S. D. Allison, City and Guilds of London Institute, 46 Britannia Street, London WC1X 9RG. S. D. Allison
City and Guilds
of London Institute

CITIZENS BAND

Having followed, within the pages of *WW*, the running battle about CB in your country for some time, I am finally moved to make the profound comment, "history repeats itself".

To read these letters bemoaning the advent of CB by some amateurs, and the such lucid arguments for its introduction by those in favour, is to pick up dusty back issues of many local (Australian) magazines of nearly a decade ago.

Now it's legal, and still the battle continues. With the benefit of my 20-20 hindsight, may I make a few observations, as it is possible to interpolate between the British scene and that which convulsed Australia and led to so many changes.

Many amateurs believed that CB would lead to the demise of amateur radio as a hobby. This has as yet not happened in this country; in fact the opposite has taken place. The number of amateur licences has increased rapidly. The main "new friends" have come up through the ranks of the CB operators.

At first there was a large amount of piracy outside the legal allocations, but apart from the few 'hard core', who have always been with us, this seems to have lost its fascination. There was a time when nearly all the repeaters had their trouble makers, it took some time to educate some of the normal users of these devices not to

react, as this surely gave 'them' the encouragement to continue. The worst of these offenders were caught and dealt with by the authorities, in due course.

It was a two way learning process, the staff of 'Telecom' had a lot of lessons to learn, not in the least hindered by the archaic wireless telegraphy act, that has yet to be brought up to date with changes since the two world wars. But now it seems to be working. The rationalization of the processes of obtaining a CB licence and the availability of cheap, mass produced equipment for the 'legal' channels, has provided the majority with what they want, personal two way radio.

The initial CB hysteria has died to quiet obscurity, in fact, many users have seen that they were used, by some, to make a great deal of money. Of the millions of CB users many now have amateur licences and many more have expensive CB equipment sitting in the cupboard unused for years. The once crowded bands are at times totally quiet: u.h.f. users have the repeater facilities once pioneered by the amateurs. In fact many amateurs have CB licences; you see the wife is not interested in A.R. but it's very useful to be able to contact her via CB.

Robert Wilkins VK3AUR
Tallangatta
Victoria

DESIGN COMPETITION

I was interested to see that one reader has come up with the idea of informing blind persons the contents of cans and packages without opening them. No further information was given.

I should like to suggest (if this is not the method used) that it would be a simple matter to 'read' the bar codes that are appearing increasingly on modern packaging by means of a light reader; decoding the information and removing extraneous information normally used in stock control; and presenting the edited information to the blind person by means of a voice synthesizer through a private earpiece.

Being completely without technological training I would nevertheless suggest that in this day of the chip it would not be beyond the realms of possibility to produce a fairly light-weight pack which could be worn like a handbag over the shoulder and weigh about the same.

Once the technique had been perfected there is no reason why bar-code labels could not be used in other circumstances to aid the blind to read. We already see these codes on the edges of supermarket shelves and on packaging. Why not make complete sentences and print books in the same manner. Naturally a monotonous Dalek 'voice' would never replace the enjoyment of silent reading that Braille offers but this would be ideal for official pamphlets for the blind, direction signs and other informatory instructions.

J. Devereaux
Wordsley
West Midlands

Some weeks ago you or one of your colleagues was interviewed on the BBC Radio London programme for the Blind "Guideline". I should like to put forward some suggestions for suitable projects that may be of interest to your readers.

Firstly, let me give you some background detail as to the reason for these suggestions. I

am a member of the British Computer Association of the Blind, which is affiliated to the British Computer Society. The aims of the B.C.A.B. are to promote the employment and training of blind and visually handicapped people within the field of computing. Due to my specialist knowledge, I have a degree in electronics, I provide technical liaison for the association, particularly in relation to computer terminals for the blind and communications problems.

At the present time there are some 90 blind people in the UK, and the figure is growing every month, who use "paperless Braille machines". These are essentially microprocessor-based devices which have a "soft copy" electro-mechanical Braille display. They are used by blind people as computer terminals or word processors or simply to provide an electronic filing system. One of the major problems facing the blind, particularly the professional, is that of finding information, if, for example, a particular reference book is available on tape or in Braille. At the moment this information is held somewhat haphazardly in different locations and in different catalogues, with numerous supplements.

As a result of the increased availability of these machines the association has now begun to discuss the viability of setting up a data base for the visually disabled. Such a data base would provide information on Braille books, tapes and even aids available.

We would like ideally to use Prestel or a similar system. However, this poses a few technical problems which might be solved by one of your readers.

I should like also to make some general points of guidance to your readers. There is little point in re-inventing the wheel; talking terminals are already available from a number of sources. There is little chance that an individual will have the necessary resources to produce a better one. Simplicity is the best approach.

If a device is to be widely used, its cost must be low and it should be easy to use, remember that many blind are elderly.

Finally please do not hesitate to contact me if you would like any assistance or advice on the suitability of aids for the blind. The association is always pleased to support ventures which can benefit the blind and the field of electronics offers many as yet unexplored possibilities. My office telephone number is 0424 431344, ext. 6003.

Gary M. Robinson
St. Leonards-on-Sea
East Sussex

List of projects

Project 1.

Current Viewdata systems, Presstel etc use an asymmetric duplex system for the transmission and reception of the data between the users terminal and the data base. Unfortunately most of the paperless Braille machines used by blind people are designed to run under a more conventional symmetric duplex system.

A line speed convertor is therefore required to convert the 1200/75 asymmetric duplex signal used by the modem to a 1200/1200 symmetric duplex signal from the Braille machine. Since the conversion from 1200 to 75 baud is only required for the backward channel, and this data is coming from a keyboard any buffering problem will be minimal. Though commercial line speed convertors are available their cost is prohibitive and their capabilities are excessive for this simple task.

Such a device would enable a paperless Braille machine to be used in conjunction with one of the

cheap "Presstel" type modems that are appearing on the scene and through it gain access to a data base.

Project 2.

A mains on/off timer.

This device which would control any mains device would plug into the standard 13 amp mains socket and the device to be controlled into it. The main feature would be that the time setting would be electronic and would have a spoken numeric readout. There are a number of simple numeric speech chips available so that speech in this simple case would not be difficult.

A more sophisticated version of this could be perhaps extended to give multiple settings both for on and off so as to allow the blind to have a timer control facility on things like tape recorders etc. Existing ones rely on the blind user being able to read Braille or have a good sense of touch and since they are tactile they can be somewhat inaccurate when trying to set a precise time.

Over the years there have been several methods for the disabled to signal help when they are in difficulties - cords, bells, lights, whistles etc. and, of course, the telephone. They are all so limited that they are virtually useless for the very people for whom they are most needed - the very severely disabled, including the frail elderly. When they fall to the floor, or in similar difficulty, they are helpless; they cannot reach any of the communication aids presently suggested.

What is needed is a portable fail-safe alarm, a device that can be worn round the wrist or neck which the person can immediately operate, activating automatically the telephone or similar means of communication to an outside source of help. I have to say that there are one or two such devices on the market, but they, too, are limited and, I think, expensive.

If something really suitable could be produced it would be a tremendous boon for the increasing numbers of disabled people. There would be an enormous market amongst them, and Social Services departments, especially with the increasing emphasis on community care.

I hope this will be taken up.

E. M. Cohen
Southend-on-Sea

STEPPER MOTOR DRIVE

Unfortunately, I do not seem to have got my main point over to B. S. Beddoe (May Letters), despite the headline description "simple, cost-effective."

My circuit is no more complex than the resistance limited drive it is intended to replace (just one extra small transistor Tr_1 per phase) and yet offers greatly improved efficiency, and hence savings in the cost of power supply components.

His circuit is only one resistor away from being a chopper drive (did he try positive feedback around the comparator?) and so is very much more complex than mine. He offers voltage control of current, better temperature independence and c.m.o.s. input. The price of these features in terms of component count, p.c. area and reduction of mean time between failures must be carefully evaluated.

Incidentally, nowhere in my article do I claim originality. I put the circuit in the category of "one of those obvious things that needs saying."

A. D. Bailey
Loughborough
Leicestershire

Checking op-amps

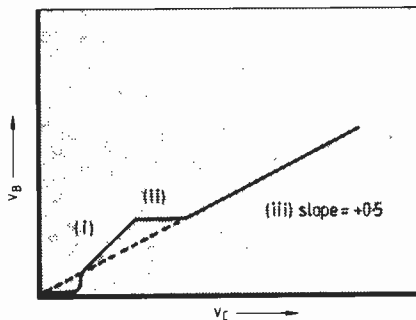
Checking first-order integrity of op-amps with a transistor curve-tracer needs only simple interpretation, lending itself to "goods inward" testing.

In analogue circuit development work involving the popular 741 operational amplifier it is useful to have available a simple, independent method of checking what might be termed the first-order integrity of the device, i.e. its capability of behaving as a direct-coupled differential gain block. There is certainly little point in making more detailed tests on parameters such as input offset voltage and common-mode rejection ratio until this has been established. This article describes the basis of a simple check that is applicable if a transistor curve tracer is available. The method has two major merits – first, no auxiliary power supplies are required, and second, no detailed interpretation of the display is necessary so the check can be performed by unskilled personnel, e.g. at a "goods-in" test stage.

Terminals C,B,E are collector, base, emitter terminals of the transistor curve tracer the relevant parts of which are shown in block form inside the box. The positive collector voltage sweep of the curve tracer is applied, via the dissipation-limiting resistor R_D to the positive rail supply of the amplifier under test; the negative rail supply is earthed. The amplifier is connected for 100% d.c. negative feedback and an attenuated version of the collector sweep is applied to its non-inverting input terminal.

The controls of the curve tracer are set for display of base voltage v_B versus collector voltage. The base step voltage generator cannot normally be switched off – a desirable condition for the check being performed – but its effect can be reduced by arranging for the display of the fewest small amplitude positive-going steps (e.g. four steps with step amplitude 10 mV) and using the maximum value of base drive resistor R_B .

Circuit operation can be understood by reference to the signature of a good 741, sketched below. The characteristic has



Bryan Hart B.Sc. M.I.E.R.E. is senior lecturer in electronics at North East London Polytechnic, Dagenham.

by B. L. Hart

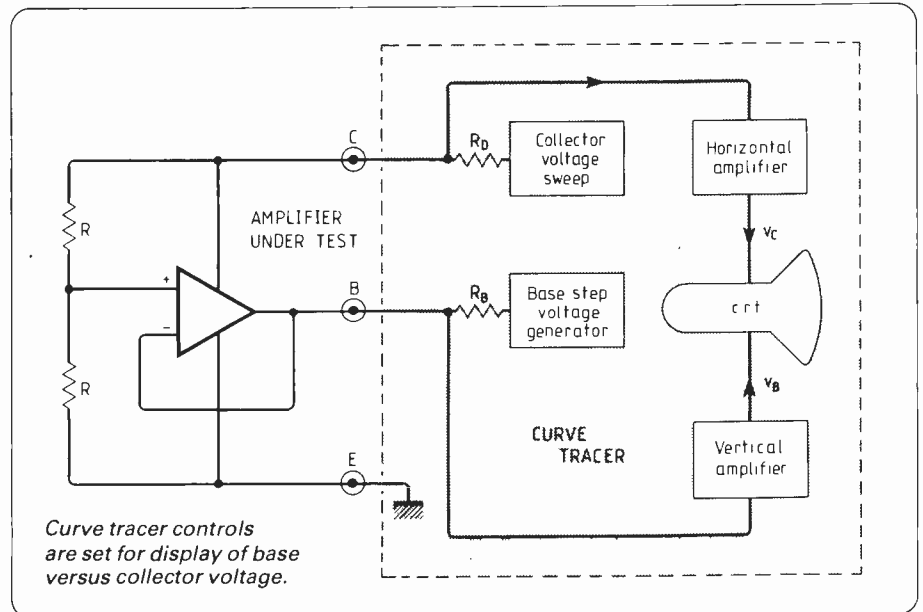
three parts: (i) $v_B=0$ initially because $v_C=0$ and R_B is effectively connected to earth, but when v_C starts to increase v_B rises to the lower saturation level of the amplifier; (ii) v_B remains almost constant at its saturation value as v_C increases because v_C is insufficient for all the bipolar devices comprising the amplifier to operate in the forward-active mode; (iii) v_B increases linearly with v_C . In this operating condition all the transistors of the amplifier operate in the forward-active mode and the feedback is operative. The circuit behaves as a unity-gain voltage-follower. As there is insignificant potential difference between the inverting and non-inverting terminals, $v_B=v_C/2$, so that the characteristic has a slope of +0.5 and when

extrapolated back appears to pass through the origin of coordinates.

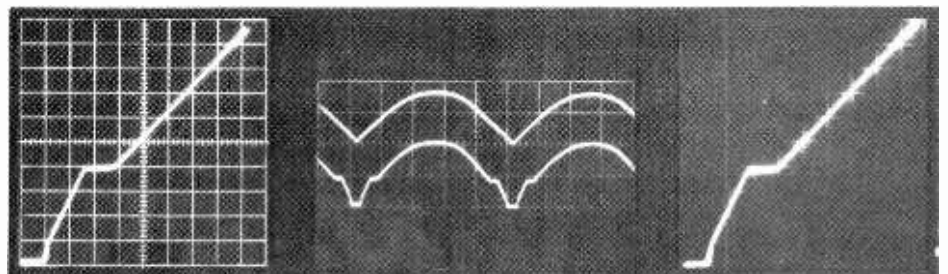
The precise location of (i) and (ii) of the characteristic might depend slightly on the particular amplifier but the location of (iii) should be independent of the specific parameters. It is this feature that forms the basis of the check of amplifier integrity. In (iii) there are large changes in the open-loop voltage gain A_V of the amplifier because A_V is a function of the rail supply. However, there is no significant effect on the slope of the characteristic as this is dependent on the expression $A_V(1+A_V)$ and $A_V \gg 1$ throughout region (iii). For practical convenience the curve tracer controls can be set so that the horizontal scale (V/cm) is twice that of the vertical scale. Then (iii) has an easily-recognized slope of unity.

The sweep test technique can obviously be adapted for use with an oscilloscope providing it has a time-base sweep voltage output socket and an x-y display facility.

WV



Curve tracer controls are set for display of base versus collector voltage.



Characteristic of op-amp chosen from 75 amplifiers by several manufacturers (left) with circuit waveforms (centre). Double-exposure photo (right) shows coincident characteristics from two randomly chosen op-amps. Scales: 1V/cm horiz., 0.5V/cm vertical except for centre traces which are 5 ms/cm horiz., 5V/cm for V_C (top), 2V/cm for V_B (bottom). Curve tracer: Tektronix 575 ($R_D=2k$, $R_B=22k$, $R=10k\Omega$).

Resistance measuring unit

Designed as an optional extra for the precision voltmeter described in the June issue, but suitable for any high-impedance voltmeter having a 10mV range.

Obtaining quick and accurate measurements of resistance has long been a problem for designers and equipment users alike. There are two problems: one is the wide range of magnitudes required (10^{-7} or 10^{-8} to one) and the other is the fact that any moving-coil meter is current-driven and so the resistance-to-current relationship is reciprocal. The scale calibration of the meter will therefore not be linear.

In the average moving-coil test meter, even with a low current meter movement, we are restricted to two or at the best three highly non-linear resistance scales. In addition it is usually necessary to provide two power sources if the higher scales are to be useful.

A more accurate method but one far more tedious to operate is the Wheatstone bridge. This requires a galvanometer delicate enough to detect a fine balance yet robust enough to withstand the full out-of-balance current. The basic unit can be expensive and even more so if a two or three-coil galvanometer is employed.

In more recent times the advent of the semiconductor and in particular the highly

predictable operational amplifier has allowed the exploitation of two methods of resistance measurement long known but little used.

The first is the ratiometric method. In

by W. J. Hornsby, M.I.E.R.E.

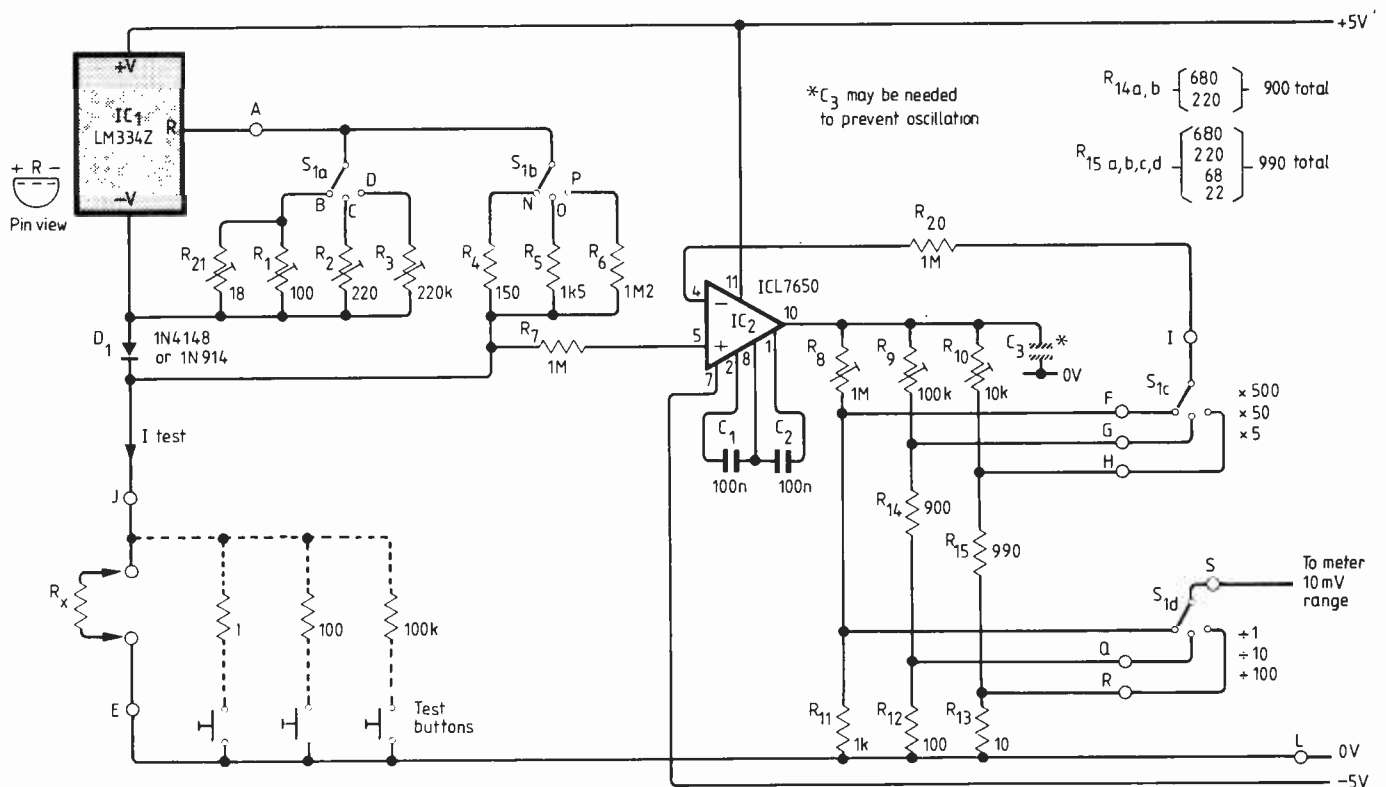
this case a current is passed through a known resistance and the unknown resistance in series. The voltage across each resistance is measured simultaneously and the value of the unknown resistance is then calculated as the value of the known resistor multiplied by the voltage ratio.

This method can be easily implemented

Fig. 1. In this complete circuit of the unit, IC₁ is a programmable constant-current source supplying a known current to the resistor to be tested. IC₂ protects the meter against overloading when the test terminals are open-circuit. ICL7650 is a chopper-stabilized operational amplifier — ordinary op-amps are not suitable. R₁₄ and R₁₅ may be assembled from standard-value resistors in series, as shown.

by using the 7106/7107 type of digital voltmeter i.c. Reliable measurement can be made from tenths of an ohm (limited by lead and circuit resistance) to megohms (limited by resistor and circuit noise). The difficulty comes when the behaviour of a changing resistance is important: for instance, when moving a cable form looking for an intermittent short-circuit or earth connection an operator would not find it easy to cope with a continually changing set of numbers.

This article therefore concentrates on the second approach. In this method a specific current is passed through the unknown resistance and the voltage across the resistance is measured. If the current is constant then the voltage to resistance relationship is linear, resulting in linear scales (although one scale per decade is then required). However, if low voltage supplies are chosen, then very low currents with high stability will be required when high values of resistance are to be measured; and if a constant current circuit is used then when there is no load the voltage across the measuring terminals will rise very close to the supply. The following



GATE SYMBOLS

May I ask for guidance through your columns as to what logic symbol is appropriate to indicate the function of the following circuit?

This gives an output only when one of the inputs is in the opposite logic state to the other two, and should thus, I presume, be called a Disparity Gate. The truth table is as shown

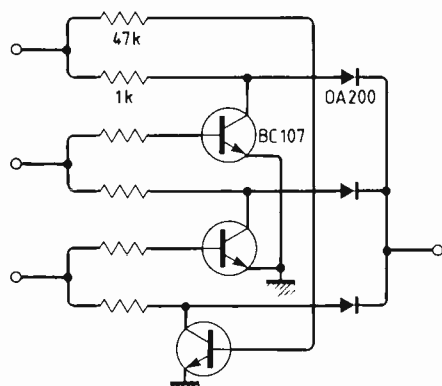
Inputs	Output
All 0	0
One as 1	1
Two as 1	1
All 1	0

When the new logic symbol pundits have worked out that one there is an elaboration of this circuit that can convert it into a Two out of Three Quorum Gate* which has the additional property of being exclusive.

Power supply? Anyone who has not been ordered to design circuitry without any power supply specified doesn't know what it feels like to be an electronic engineer!

J. C. Rudge
Harlington,
Middlesex

*J. C. Rudge (letter) *Wireless World*, July 1982.



INPUTS	OUTPUT
All 0	0
One as 1	1
Two as 1	1
All 1	0

HERETIC'S GUIDE TO MODERN PHYSICS

In his May article, Dr Scott Murray is yet again guilty of the inexcusable — misquoting facts out of context. This was blatantly manifested when he used Dirac's postulation of the positron as a pretext to an attack on the tunnel effect, despite the fact that there is no connection between the two.

Dirac's calculations had a square root in the result for the charge of electrons. This allowed them to have either negative charge-electrons, or positive charge-positrons. Dirac predicted the existence of 'negative matter, in the sense that its constituent particles were oppositely charged, and so the term 'anti-matter' was coined. Dirac never suggested that positrons had negative mass. He did not have to 'explain' the positron; his mathematics predicted it and physics later confirmed its existence. Dr Murray appears to have confused the positron with

its negative-mass 'cousin', the hole. The holes are gaps in a free electronic continuum, and in that context only can you have positively charged particles with negative mass.

In conclusion, Dirac's antimatter concept may appear in some science fiction, but it is very much science fact. Dr Murray's use of this, misquoted out of context and in any case totally irrelevant, is a very poor attempt to mislead gullible readers.

M. J. Niman
Manchester

In the May issue a number of letters critical of Dr Scott-Murray's long-running saga 'A Heretic's guide to modern physics' appeared. In commenting on mine Dr Murray wisely sidestepped the first two paragraphs and concentrated on the third. A number of ideas which were current half a century ago have not stood the test of time, and the notion of duality is certainly one of them. In a preceding, so far unpublished, letter I emphasized that 'quantum objects' such as photons and electrons were neither waves nor particles, exactly the point made by Mr Gleave in the May letters. Nevertheless Dr Murray in his first comment on my letter chose to flagrantly misrepresent me by stating that I had written as if 'light is both (particle and wave) simultaneously'.

In this context a feature not brought out by Mr Gleave is the fact that quantum mechanics provides a single mathematical description of photon behaviour which covers not only the quasi-particle and quasi-wave aspects, but in addition the in-between world typified by the remarkable kinds of behaviour shown in some types of Mössbauer experiments. Originally Planck and Einstein attributed properties to photons in an essentially *ad hoc* fashion, but for some decades now theoretical accounts of behaviour have been available (see Heitler's 'Quantum Theory of Radiation') which show that they must be regarded as behaving in a way far removed from the billiard-ball-like objects of Dr Murray's imaginings.

In the unpublished letter I also pointed out that the spectra of gamma rays from radioactive sources obtained using Ge(Li) detectors regularly showed features indicating that over a microsecond or so any bunching was less by some orders of magnitude than the millions which Dr Murray in his October article said he would settle for, yet that these gamma rays still showed interference effects, in that their energies (or wavelengths) could be determined by passing them through a quartz crystal acting as a diffracting grating. These facts too he felt entitled to ignore.

Turning to his second comment, I must first admit some order of magnitude difficulties of my own: a photon of visible light has a wavelength, not of some tens, but of some thousands of interatomic spacings. He asked in connection with the optical photo-electric effect 'why is it that only one of these (millions of) electrons is ejected by the photon's impact?'. The answer is simple — on the purely classical basis of the image force between a charge and a conductor it will take a finite amount of energy to remove even a conduction electron from a metal. Photons of visible light simply do not have enough energy to remove more than one conduction electron from alkali metals such as sodium and potassium.

He went on to ask 'what physical mechanism determines which electron is ejected, and 'how wide is a photon, please?' Now Doppler shift

measurements show that the conduction electrons in metals have speeds of about 0.1% of the speed of light, some ten times the value to be expected from classical theory, but fully in agreement with the predictions of wave mechanics. If one assumes that the delay between a photon hitting the surface of a metal and any subsequent emission of a photoelectron is of the order of 1 ps, a typical conduction electron will in that time have travelled some thousands of times the average distance between neighbouring atoms, so that willfully the photon will have interacted with electrons over an area comparable with the square of its wavelength. These same conduction electrons have De Broglie wavelengths of several interatomic distances, and according to wave mechanics this is the feature which allows them to move freely about in metals. Dr Murray really should try his hand at using his ideas to account for, say, the temperature dependence of the resistance of metals at liquid helium temperatures. Although no-one would realize the fact from reading his articles, it was the success of wave mechanics in interpreting this dependence and many other puzzling aspects of the behaviour of solid materials that first persuaded many physicists to consider the new theories seriously.

C. F. Coleman
Grove
Oxfordshire

Abstract Law is just as unbreakable in Copenhagen as anywhere else!

I have already touched briefly upon the law of pressure, resistance and flow: another is the law of decay from interaction.

The further interaction is reduced, the less decay there is. Insulators attempt to stop interaction, and they succeed more or less. There is not, nor can there ever be a perfect insulator, and any perfectly insulated device would be an absolute singularity having nothing to interact with: needless to say, there is one, and one only, and you are in it up to the eyes and beyond!

For these reasons, no potential barrier can be absolute, and I could not really care a tinker's cuss how electrons manage to get past it, though I am happy to hazard a guess (based upon the same deductive logic which says that energy exists) that there is a massive carrier in apparently empty space through which energetic interaction occurs.

Thus, while I positively adore Dr Scott Murray, it seems to me that his subjective arguments are so shallow and superficial that they merely invite argument from the specialists of this world: the drops in the ocean may be seen as particles in motion, and it takes one particle an impossible amount of work to make a wave.

What is all the fuss about? Rubbing the nose of a mess-maker in his mess merely makes him argue. Let them stew in it: make the prognosis, and let time prove it.

Dirac and Bohr must come to accept that space is not empty: it just appears that way because you can't catch a basic building block! There is nothing smaller with which an adequate mesh can be made, so that it inevitably slips through the holes.

It is a simple matter of inter-disciplinary analysis of which the single discipline specialist is mentally incapable. Farm the blighters!

James A. MacHarg
Wooler
Northumberland

In *Wireless World* of April 1983, p.48, Jones gives an impressive list of oversights and omissions which were present in the interpretation of the Michelson and Morley experiment. However, I missed one important problem I have always felt when dealing with this problem.

In this experiment it is always taken for granted that the velocity of light does not change at reflection. However, how can one be sure about that? Apart from Romer and similar determinations of the velocity of light I do not know of any other way of determining the velocity of light, thus without mirrors and lenses. On the contrary, from the point of view of light as a stream of photons it is at least just as likely that light might change its velocity at reflection: if a photon excites an electron which on its turn produces another photon there is no reason why the velocity of light of the original photon should be the same as the newly created one. But if the velocity of light may change at reflection, already for this reason the experiments of Michelson and Morley cannot produce a difference in the velocity of light (after reflection).

Dr M. Osinga
Haarlem
Netherlands

I was very interested to read M. G. Wellard's letter (January), including his comments on N. Rudakov's book "Fiction Stranger than Truth", which I have also read with considerable interest.

Wellard states that Rudakov has collected "more than enough evidence to show that the physics Establishment is in the hands of ideological extremists". It is a little unfortunate that he then goes on to mention, as a sample of that evidence, a somewhat exaggerated statement of Rudakov's. Wellard refers to Rudakov's citation of a review of one of Harold Aspden's books, and repeats Rudakov's assertion that the review says that Aspden is a crackpot. Although the review is somewhat pejorative, it is an exaggeration to say that it calls Aspden a crackpot.

On the same page of his book (p.9), Rudakov writes that "Lyttleton is of the opinion that the truth of relativity seems so self-evident as to be beyond need of discussion by any sane people." Although he does not give the source, he is fairly obviously referring to a letter to *The Times*, which is reproduced on pages 10-11 of Herbert Dingle's book "Science at the Crossroads". A careful reading of the letter shows that what Lyttleton wrote is completely different from what Rudakov attributes to him.

As Rudakov rightly says, (p.7), "Silence is the main weapon of the relativists." There is also ample evidence that members of the scientific community view scientific heretics with scorn and refuse to take their arguments seriously, and I was glad to see Wellard's reference to the scornful heading of an article in *New Scientist*. After perusing the relevant correspondence and seeing the heading "Einstein 6, Cranks 1", the reader may possibly conjure up a picture of Einstein playing golf. Whatever game the writer of the heading had in mind, it certainly was not cricket!

Ian McCausland
University of Toronto
Canada

The principle of indeterminacy is not a topic which I have studied to any great extent, but I would like to put a question to Dr Murray. He

argues in your March issue that it is possible to determine what the velocity of an electron was "to any accuracy we please". But all electrons look alike. How then can we know whether the electron on which the second observation of position was made is the same as that on which the first observation was made?

K. S. Hall
City University
London

FORTH COMPUTER

In his article on a Forth computer Brian Woodroffe takes the dangerous step of comparing microprocessor c.p.us by preparing a number of examples of small isolated sections of code. Whilst I do not wish to take a standpoint in favour of any particular device I would like to point out that this sort of comparison is, at best, worthless and can be misleading. To quote one counter example, the 8088 '+' operation could be carried out via the instructions

```
POP AX
MOV BP SP
ADD [BP] AX
```

equal to the 6809 in terms of instructions, or, BP has a fixed relation to SP, as is the case in most executing programs,

```
POP AX
ADD [BP + α] AX
```

where X is an assembly time constant. I hasten to point out that I am not trying to challenge his choice of processor but simply to point out that his reasoning is flawed. I have no doubt that any software engineer (sorry Mr Catt) familiar with the other c.p.u. mentioned could improve upon the quoted examples.

J. O'Connor
Crewe

ELECTROMAGNETIC DOPPLER

In the May issue Mr S. Hobson offers his explanation of e. m. Doppler. His assertion that the mechanism is 'v' is not helpful, 'v' is the cause, a change in frequency is the effect; the mechanism sought is that which links the two. The description he gives for 'wave crests' is equally valid if applied to a string of bullets fired at B by A and in this case the velocity of the bullets as seen by B would be the equivalent of (c-v).

What S. H. does is to divorce the fact that the light travels from A to B from the fact that A and B are moving apart, carefully avoiding describing the resultant composite motion. His final suggestion that v is not velocity but rate of change of distance is playing with words.

The light must leave A and must arrive at B and at each must have an observed velocity, frequency and wavelength which together conform to the equation:

$$v = f\lambda$$

The light leaves A at velocity c. If at B one assumed that it still travels at c relative to A then its velocity relative to B will be c-v. We can write

$$\begin{aligned} \text{at A} \quad c &= f_A \lambda \\ \text{at B} \quad c-v &= f_B \lambda \\ \text{and} \quad \frac{f_A}{f_B} &= c-v \end{aligned}$$

This then is a common-sense description of events which very elegantly produces the right answer but is of course heresy.

If it was not possible by observing the light from a source to tell whether or not the source is moving, one could logically deduce that the motion of light is unaffected by the velocity of the source. As it is possible to tell if a source is moving, then clearly something is affected by movement. If the frequency of a periodic function is lower, then either it is going past more slowly or the 'wave crests' are further apart. If one is not a heretic, light cannot be going slower, therefore the wavelength must have increased. What causes the wavelength to change? Where does the change take place?

Suppose at the moment of measurement B passes a third observer D stationary with respect to A. If the change in frequency observed by B is attributed to a yet unexplained change in wavelength which has occurred at a yet unspecified point between A and B how is it that D does not also observe this change in wavelength. He is at the same point of time and space as B, is observing the same wave as B observes, passing him at the same velocity as it passes B.

Heresy is so much simpler.

J. Kennaugh
Cornwall

Like your correspondent Kennaugh in *Wireless World*, May, 1983 I have been looking at the Doppler theory.

If one considers a particle stream where there is velocity, frequency and separation instead of velocity, frequency and wavelength then the Doppler effects can still be expected.

In calculating the relative velocities of the source and the particles with respect to the observer one can invoke the presence of an 'ether' against which the velocities are measured. These can then be summed to get the relative velocities and to remove the 'ether'. This may at first sight appear to be a pointless exercise but if it is done for an Einsteinian system then it is obvious that for every value of a relative velocity (of the source with respect to the observer) there is an infinite set of pairs of velocities (of each with respect to the 'ether') that produce the same Doppler effect. With a non-Einsteinian system there is only one set of velocities that produces the effect.

The reason for this is that in a non-Einsteinian system the movement of the source produces a change in the velocity and the separation of the particles but not the frequency whereas a movement of the observer produces a change in the velocity and the frequency of the particles but not the separations. Thus the movements of the source and the observer do not cause the same change in the Doppler effect whereas in an Einsteinian system they do.

An interesting consequence of this is that in a non-Einsteinian system the universe has built into it a means of identifying which object, source or observer has changed its motion. The contributions of each body to the total relative velocity can thus be calculated.

It would appear, therefore, that some velocities are relative and some absolutely so.

James L. Smith
St. Albans
Hertfordshire

Table 2. Stop-list codes used in translate mode, Copeman Hart Chamber Organ, London, 1974/1982

Manual 1 49 notes C to c ^{III}			Manual II 49 notes C to c ^{III}			Pedal 30 notes CC to f		
Quintaton	16'	QD	Gedeckt	8'	G8	Prinzipalbass	32'	FD
Prinzipal	8'	P8	Prinzipal	4'	P4	Untersatz	16'	UB
Viola da Gamba	8'	V8	Hohlfloete	4'	F4	Prinzipal	8'	P8
Rohrfloete	8'	R8	Nasat	2 2/3'	N3	Gedeckt	8'	G8
Oktav	4'	O4	Gemshorn	2'	G2	Oktav	4'	O4
Spitzfloete	4'	S4	Terz	1 3/5'	T2	Nachthorn	2'	N2
Waldfloete	2'	W2	Siffloete	1'	S1	Mixtur	II-I	MR
Quinte	1 1/3'	Q1	Zimbel	II	MR	Kontraposau	32'	KP
Mixtur	III	MR	Krummhorn	8'	K8	Posaune	16'	PB
Scharf	II	SK	Schalmei	4'	S4	Trompete	8'	T8
Rankett	16'	RD	Tremulant		TR			
Trompete	8'	T8						
Couplers:			Manual II to Manual I	KM				
			Manual I to Pedal	KH				
			Manual II to Pedal	KR				

Note: As is usual, D indicates Double

Continued from page 41

variables for a rash of new pointers. Two further machine-code words provided nine-bit multiply and divide by two which greatly speeded up the process of transposition, made faster still by an alternative word to transpose by eight notes at a time. This is particularly useful for transposing between divisions of the organ — fortunately, care had been taken when the hardware was installed to wire the 128 keying register lines in a logical sequence.

To date, the extemporizations available are largely based on canon in two or three parts, with independent time and pitch offsets (mostly defined by variables) for each part. Each part has its own p.d.p. in the input data field (representing the theme) and its own input and output (i.e. transposed) console fields. The Forth program then combines the two or three parts into a new output data field, which can then be auditioned using play mode in the usual way. Up to now, therefore, the machine does not perform true extemporization, that is to say in real time, but the

speed of operation suggests that this is feasible if the correct interrupt priorities can be established.

For a three-part canon, a seven-branch decision tree is needed to determine from the durations whether all three, which two or which one of the parts are (or is) the next to move. A decorated line, which can be combined with a two-part accompaniment, is provided by using the two-part canon routine but allowing only the latest part to move to appear in the output console field. With the appropriate time offset, this can provide a highly syncopated variation on the original theme, plus curious 'hocket-like' effects when the original notes depart slightly from strict time or strict legato.

The next thing to do was to provide some harmonization rules. By temporarily transposing the console field for one part and comparing it with another, any interval can be detected and changed into any other interval. To date, this has been used only to turn adjacent notes into minor

thirds, but even this simple rule can produce charming suspensions and cadences (charming at least in relation to their somewhat austere surroundings).

The structure of the Forth words seems to clarify by an iterative process (by the programmer, not the computer) as the work proceeds. For example, the harmonization rule mentioned above boils down to the word 'augment minor seconds', abbreviated to AMS. To use this, it is simply inserted at the beginning of the definition of 'transfer and/or console fields' which prepares the combined console field for output to the data field. Needless to say, if the machine were "performing" in real time, the output data field would not be necessary.

Perhaps the most charitable thing which could be said about the results from the extemporization routines after six weeks of spare time work is that they offer plenty of scope for further development. Probably the next fruitful step would be some rules for motion of the separate parts. WWW

EVENTS

June 14-17

Electronica 83; International exhibition for test, measurement and control and for the laboratory. Earls Court, London. Industrial and Trade Fairs Ltd. Tel: 021-705 6707.

June 21-22

World Electronics: Europe — the way ahead. *Financial Times* conference to be held in London. Details from *Financial Times*. Tel: 01-248 8000 ext 4123.

June 21-23

Compec North 83; Business computer show. Belle Vue, Manchester. Reed Exhibitions. Tel: 01-613 8040.

June 22-24

Subsea Challenge Conference; Progress in underwater technology. RAU Exhibition and Conference Centre, Amsterdam. Society for Underwater Technology, London. Tel: 01-222 3236.

June 27-July 1

Digital signal processing; course organised by the George Washington University (18 St George Street, London W1R 9DE), at Imperial College, London. Tel: 0626 83 3012.

June 27-29

Videotex '83; Conference and exhibition at the New York Hilton, NY, USA. Organised by London Online Inc. Details in UK from Online. Tel: 09274 28211.

June 27-July 1

BKSTS '83; 8th International film and television conference and exhibition. Royal Lancaster Hotel, London. British Kinematograph, Sound and Television Society. Tel: 01-242 8400.

June 27-29

Frequency synthesizers; Course organised by the George Washington University, at Imperial College, London. Tel: 0626 83 3012.

June 27-30

Integrated optics and optical fibre communication. Fourth International Conference in Tokyo, Japan. Details from IEE. Tel: 01-240 1871 ext 330.

June 27-July 1

Integrated circuit engineering, with emphasis on vlsi and vhdic. Course organised by the George Washington University at Imperial College, London. For details tel: 0626 83 3012.

June 27-July 1

Laser 83 Opto-electronik. Sixth International Congress and trade fair. Trade Fair Centre, Munich. AMEG, Messagelände, Postfach 12 10 09, D-8000 München 12.

June 28-29

Comex 83; Conference and exhibition of mobile radio communications and paging systems. De Vere Hotel, Coventry. Federation of Communications Services. Tel: 01-635 2657.

June 30-July 1

An applications-oriented approach to artificial intelligence. Course organised by the George Washington University at Imperial College, London. For details tel: 0626 83 3012.

July 3-8

Semi-custom ic design and vlsi; IEE vacation school at Edinburgh University. IEE. Tel: 01-240 1871 ext 330.

July 3-8

Interfacing techniques for microprocessor instrumentation. IEE vacation school at University College of North Wales. IEE. Tel: 01-240 1871 ext 330.

July 3-15

Microwave solid state components and subsystem design. IEE vacation school at Leeds University. IEE, tel: 01-240 1871 ext 308.

Aspects of audio amplifier design

Given sufficiently high linearity of certain silicon bipolar transistors with initially linear regions of their input characteristic, it seems expedient to use them in audio amplifiers – especially those feeding horn loudspeakers – without overall feedback.

The perfection of audio amplifiers involves not only the perfection of electric circuits but the perfection of amplifying elements – transistors – as well. Efficiency in audio amplifiers may sometimes be considered a secondary technical requirement because of the existence of compact effective and relatively cheap power supplies with the mains to convert the 50-60Hz frequency at the power supply input to a higher one. This article illustrates, through the example of single-ended amplifier design for horn loudspeakers without overall feedback, some aspects that might become significant in the future, as well as in the present time. High stability and (as a rule) better dependence of non-linear distortion on output voltage can be achieved by simple methods and without sacrificing other parameters. In push-pull amplifiers, some compensation of the second harmonic exists but with an increase of third harmonic that is more considerable than the decrease of the second. Another essential feature of single-ended amplifiers is the equalizing of the amplifier load of the loudspeaker by the small resistance in the emitter of the Darlington output stage.

Modern horn radiators have an output exceeding 114-117dB (1m/1W) when using cobalt, samarium and other highly effi-

cient magnets for normal polar response. The output of low-frequency loudspeakers without horns is limited by the flat amplitude response at low frequencies, this output usually being no more than 94-97dB. Bearing in mind that the maximum power of low frequency loudspeakers is limited by voice coil heat dissipation and by the nature of the moving system as a whole, and taking into account large intermodulation distortion in l.f. loudspeakers at $P_{out} > 5$ to 25W (the ear becomes more

by Y. Miloslavsky, Dipl. Ing.

sensitive to a.m./f.m. as sound pressure level increases¹), the maximum power of low-frequency loudspeakers cannot exceed 25-200W. And this has been borne out in practice. In addition horn radiators possess specific (non-smooth) distortions because of the change from a sinusoidal wave to a shock wave and a non-linear elasticity of air in the plenum chamber for large throat amplitudes. These distortions occur when the acoustic power divided by the input horn area is greater than about 0.25W/cm². If the throat area is 6cm² and the efficiency around 50%, then

the rated amplifier power will be about 3W. Thus the power output of medium and high-frequency channels of power amplifiers should equal 0.25 to 2W, and taking account of the spectra of musical signals, we come to a value for power output of 1 to 4W.

Such amplifiers can be designed on the basis of a single-ended circuit, below, and can meet the most stringent up-to-date requirements provided that *all* of their components – capacitors, resistors, transistors – also meet up-to-date requirements.

Realisation of such an amplifier with either valves or field-effect transistors gives no advantage from the point of efficiency, output resistance and even linearity. The output resistance of valve and field-effect transistor amplifiers cannot be reduced sufficiently without overall negative feedback, or special complicated circuits if followers are used. Then the output resistance is

$$R_{out} = \frac{R_i}{1 + \mu} \approx \frac{1}{S} \gg 20\text{ohm}.$$

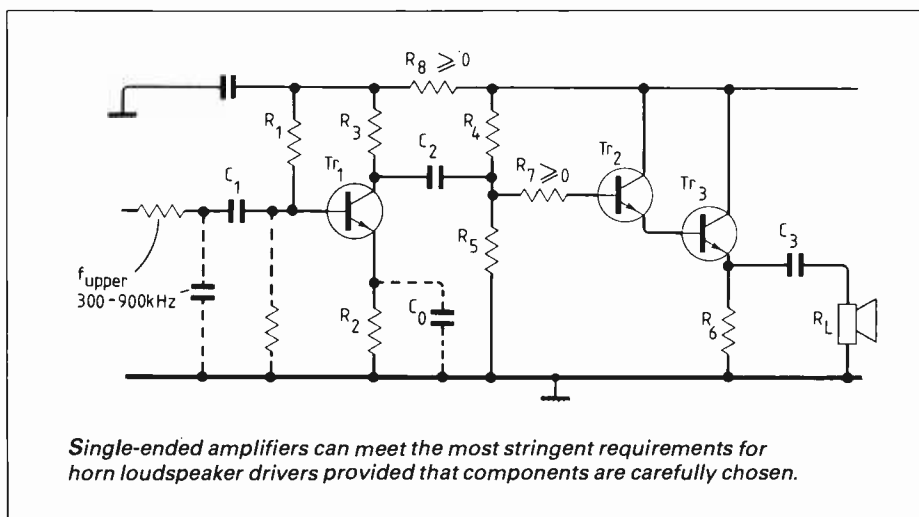
From equation 1 (appendix) the output resistance of followers using bipolar transistors, particularly a Darlington transistor, reduces to

$$R_{out} \approx r_{eTr3} + \frac{(R_3 || R_4) || R_5}{h_{21ET2} \cdot h_{21ET3}}.$$

In this case $R_{out} \leq 0.4$ to 0.2ohm , with $R_3 \approx 1.5\text{k}\Omega$, $h_{21e} \approx 3 \times 10^3$. This value of output resistance is enough even for a low frequency channel.

In general, the output resistance is a complex value Z_{out} , the modulus of which increases with increase in frequency due to weakening of local negative feedback (h_{21e}). The input resistance of Darlington transistor is limited by resistance r_{cTr2} , from equation 2 (appendix). In general, the input resistance of a follower is also a complex value and approaches R_{bTr2} with increase in frequency. Moreover $f_{ic} < f_{upper}$ (f_{ic} is pole frequency in Z_{in} , see appendix).

As a first approximation, one may ig-



Single-ended amplifiers can meet the most stringent requirements for horn loudspeaker drivers provided that components are carefully chosen.



Born in Moscow in 1947, Yuri Miloslavsky graduated from the department of physics of the Saratov State University in 1971. Assigned to a military plant in Saratov, he worked in the fields of microwave technology and digital telephone systems. Later he joined the scientific research institute of television and broadcasting in Moscow where he worked on problems of electroacoustics, architectural acoustics, subjective aspects of sound reproduction. Since 1978 he has been in the laboratory of architectural acoustics in the Moscow institute of the physics of construction. Last year he emigrated to the USA.

more variations in non-linear resistances r_b and r_e , as well as weak variations in C_c and C_e as a function of signal level, and adopt their average values relating to the d.c. operating points $\{I_{c(dc)}, V_{CE(dc)}\}$ and rated P_o of 0.25 to $0.5P_{o\max}$. (We ignore in our case internal voltage feedback due to base thickness modulation; $\mu = (dV_E/dV_C)IE_{const} = -\phi_T \times \text{const}/w\sqrt{V_c}$.)

When supplying short pulses with small rise time to the follower the output cable capacitance may influence the form and amplitude of the pulses. The transition time of the follower should be smaller than the transition time of the signal.

In the calculation of the transient response (as, for example, using the integral of Duamel) it is not necessary to take into account the isolating capacitors used as crossover networks which cause the appearance of additional multipliers $(1 + p\tau_k)$ in the numerator of the transfer function, as there are complementary transient responses in the mid and low-frequency channels and their corresponding radiators. But the problem of transient response still remains. In general, given the resistor in the emitter network and without taking isolating capacitors into account for the cascade of a common emitter and common collector (emitter follower) the transient function is usually written as follows (basing it on an equivalent circuit under certain assumptions):

$$K(p) = \frac{K_o(1 + \alpha p)}{1 + mp + np^2}$$

Such a function points to possible oscillatory character of the transient process or a possible overshoot. With the calculated capacitor $C_L = C_{z=p2}$ connected in parallel with the resistor mentioned above, the transient function becomes ideal (ref. 8) under certain conditions:

$$K(p) = \frac{K_o}{1 + np},$$

where $m = \alpha + \frac{n}{\alpha}$

$$f_{\text{pole2}} = f_{\text{zero}}, f_{\text{pole2}} > f_{\text{pole1}}$$

and $C_{z=p2} \neq C_L f_{\text{upper max}}$.

In the case of an emitter follower signal frequencies must be properly limited, since the abrupt displacement of the operating point into the region of small h_{21} is possible, and the transient process is defined by time constant $(Z_1 \parallel R_6) \times (C_{b'e} + C_L)$; with $R_{out} = R_{out}(t)$.

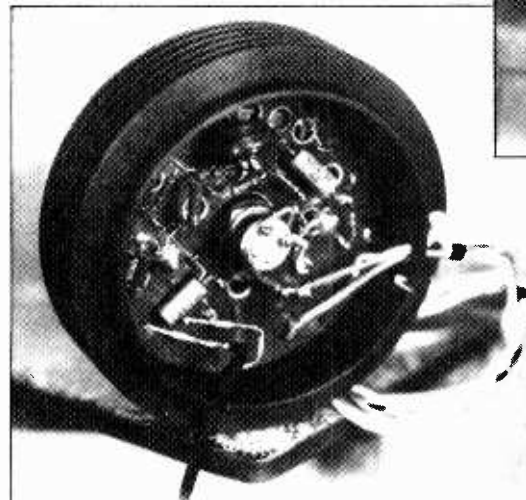
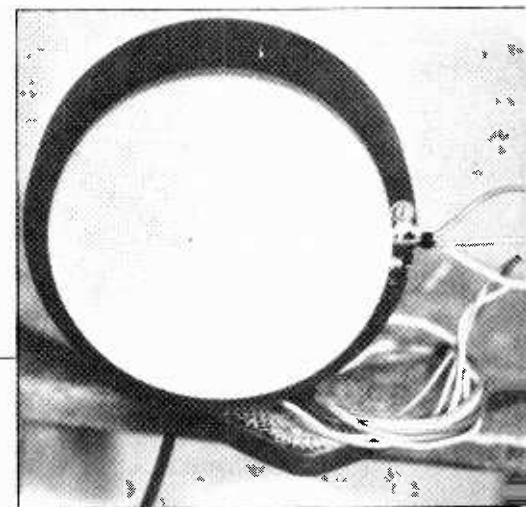
Because the output and input resistances are complex values and their module are accordingly dependent on frequency, there is a tendency to raise f_{upper} to 1 to 10MHz so that non-linear distortions, output resistance and frequency dependance of amplitude and phase responses deteriorate as little as possible in the operational frequency band of around 200kHz. This band width is necessary for more faithful reproduction of transient processes, for decreasing the level of difference tones for frequencies higher than 20kHz, and for decreasing amplitude and phase distortion of the whole system. The correct reproduction of transients becomes a decisive factor in many cases. Piano sound is the most characteristic case, with its abrupt attack and lack of stationary sound², which corresponds to conclusions given in reference³. Some of the basic parameters of amplifiers are upper frequency limit, coefficients α_2 to α_n in the power series transfer characteristic

$$V_{out} = kV_{in} + \alpha_2 V_{in}^2 + \alpha_3 V_{in}^3 + \alpha_4 V_{in}^4 + \dots + \alpha_n V_{in}^n$$

the nature of dependence $\alpha_m = \alpha_m(\beta, \omega, \tau)$, signal-to-noise ratio, output resistance, reliability, life time, constructional design, and overall cost. Let us analyse some of the specified parameters in detail. The value 0.5 to 2MHz of f_{upper} can easily be achieved using proper high-frequency bipolar transistors and using small-signal source resistances R_S for each stage. We assume that this bandwidth is sufficient in the present situation.

Amplifier design without overall negative feedback is preferable according to Nyquist's "regeneration theory" and the theory of electrical networks, in particular t.i.m. But it is necessary to meet the most stringent and rational requirements to reduce non-linearity. The characteristics $I_C = I_C(I_B, V_{CE} \text{ const})$ and $I_C = I_C(V_{CE}, I_B \text{ const})$, especially in n-p-n transistors, are of the same order as the corresponding characteristics in valve pentodes $I_A = I_A(V_g)$, $I_A = I_A(V_A, V_g \text{ const})$, and in some cases are even better. The input characteristics $I_g = I_g(V_g)$ of amplification valves are linear, except in the special case $I_g \neq 0$, but the input characteristics $I_B = I_B(V_{BE}, V_{CE})$ of transistors are non-linear, except in some special cases. By these and other factors, one can explain lower non-linearity (i.e. sufficiently fast approach of transfer characteristic coefficients α_2 to α_n , especially α_4 to α_n , to zero) in circuits with valve pentodes and triodes. We should also take into account that in the presence of large overall negative feedback, and for a large non-linearity in a system without overall feedback, the law of feedback changes in an unfavourable direction⁴. In semiconductor circuits the signal often passes through an excessive number of p-n and n-p junctions, which in addition operate impulsively at high temperatures (for horn radiators one stage is more than enough for voltage amplification). Strong dependence of the junction temperature on signal level is also undesirable. Sometimes high junction temperatures cause undulation of output characteristics. As to push-pull stages with semiconductor components, a large asymmetry of arms additionally occurs as a rule through the overall

Undesirable non-linear distortion, e.g. in the second harmonic, can reach several per cent in a single-ended cascade in a small-signal regime⁵. Amplitude and phase distortion above 10kHz can be several orders more than corresponding internal distortions due to C_E and C_C in h.f. transistors⁷. Reference 7 gives possible methods of compensation for these distortions.



Elegant amplifier construction is easily attached to the loudspeaker and provides shielding for the circuit as well as heat dissipation for Tr3.

operational range of voltage and current, often of very complicated nature. All these factors make reduction of non-linearity in semiconductor amplifiers more difficult (though a sum of certain factors may partly compensate for some α_K).

For amplifier stages the class A operating mode is always preferable because the ear becomes more sensitive to harmonic and sum and difference tone distortion as sound pressure level decreases, based on specific features of hearing thresholds under masking¹, because of smaller $\alpha_2 - \alpha_n$ dependence on ω, β and because of weak dependence of junctions temperature from signal level. If operational areas of input and output characteristics of amplification elements are correctly selected class A distortions decrease or increase as a function of output voltage of the load linearly or strictly monotonically.

What can be expected from such an amplifier in practice? In this circuit I have used the following transistors: KT630B(b) as Tr_1 and Tr_2 ; KT912 as Tr_3 (see catalogue of Mashpriborintorg, USSR). The most essential known parameters are

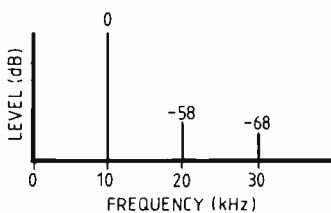
KT630
 $P_{Cmax} = 0.8W$ ($T = 25^\circ C$); $V_{CEmax} \geq 120V$;
 $I_{Cmax} = 1A$; $h_{21E} = 40$ to 240 ; $f_{T(Ic=2A)} \geq 50$ MHz; $C_C < 15pF$ ($V_{CE} = 10V$); $C_E < 65pF$

KT912
 $P_{Cmax} = 30W$ ($T = 85^\circ C$); $V_{CEmax} = 70V$;
 $I_{Cmax} = 20A$; $R_{(th)jc} = 1.66^\circ C/W$; $h_{21E(Ic=2A)} = 20$ to 100 ; $f_{limit} = 90MHz$

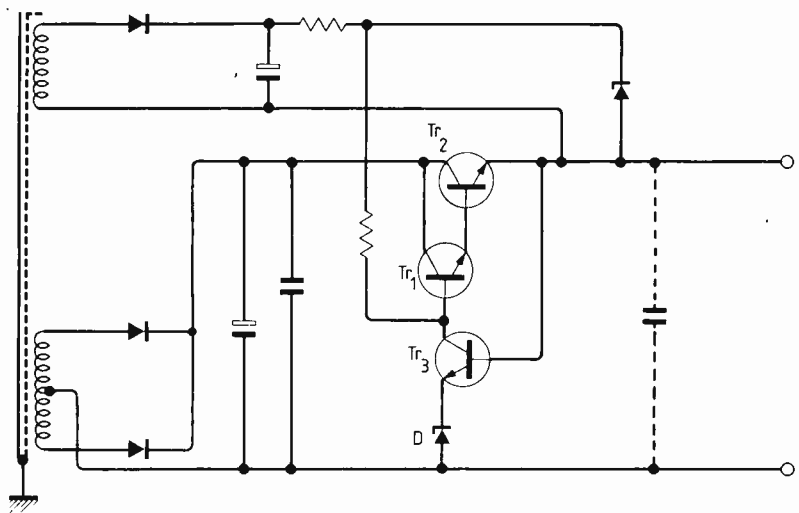
Transistor KT912 must be thoroughly selected on the basis of initial current $I_C = I_C(V_{CE}, I_B = 0)$, and stability of h_{21E} in the operational range of collector current and voltage. The collector, usefully, is electrically isolated from its package.

It should be specially mentioned that initial operational areas of the input characteristic $I_B = I_B(V_{BE})$ in the KT630 and KT912 – up to 0.3 and 0.6V respectively – are linear and do not practically change with variation in V_{CE} . Output characteristics $I_C = I_C(V_{CE}, I_B const)$ and $I_C = I_C(I_B, V_{CE} const)$ of these transistors in operational areas are also satisfactory.

Non-linearity attenuation, as measured with Brüel & Kjaer frequency analyser 2010 by the harmonic distortion method with rated power of 0.25 to 0.75W corre-



sponding to $P_{out(max)} = 1$ to $2W$, is shown above. The rest of harmonics cannot be detected with the 2010 (dynamic range approximately 90dB). Distortion as a function of level follows an almost linear pattern. This non-linearity (specifically of high order $\alpha_4 - \alpha_n$) is no worse than in good valve circuits with overall negative around 20-25dB, and is no worse in most cases than for electroacoustic transducers at corresponding levels. Values of square and cubic non-linearity are much less than



Single-ended amplifiers are less tolerant of ripple than push-pull types; this additional transformer winding to supply the zener diode D increases ripple suppression by a hundred fold.

their sufficient values⁵ and much less than values for the ear at corresponding levels and frequencies of sound pressure¹.

Article 9, which may well be unique, contains a strict calculation on the basis of probability theory of the perception of non-linear distortion in different cases, given square and cubic distortions. Its conclusions practically coincide with the corresponding content of this article even though some of the data used are somewhat dated.

Non-linear distortions become more perceptible with broadening of frequency range⁵, improvement in signal-to-noise ratio of reproduction systems, and decreasing acoustic noise in listening rooms. All these factors are changing favourably; for instance, it's not too difficult nowadays to get an A-weighted signal-to-noise ratio of 85-100dB in power amplifiers.

In this design, crossover networks can be realised with C_1, C_2, C_3 , and the input resistances of corresponding stages (see appendix). Overall steepness of crossover networks can be 6 or 12 dB/octave, and can be also variable (to 18dB/octave).

For ease of reference, the instability of current gain in bipolar transistors resulting from rises in junction temperature is defined by the following expression, where $T_0 \approx 25^\circ C$,

$$h_{21E(T)} \approx h_{21E(T_0)} + (0.003 \text{ to } 0.006) \times h_{21E(T_0)}(T - T_0)$$

The reliability and longevity of semiconductor amplifiers (for example, instability of output current in the given amplifier is in the range 0.2 to 0.8%) are much higher than that of valve amplifiers provided that components operate well within their ratings. I have achieved excellent stability and subjective results while using this single-ended circuit for an i.f. channel with $P_{out max} = 8$ to $20W$.

There are some special features in technical requirements to the power supply for single-ended power amplifiers. The value of permissible voltage ripple (less than for push-pull circuits), interference and noise is determined by the maximum power output of an amplifier and its dynamic range.

The output resistance of power supply including resistance of wires between power supply and amplifier should be low enough to prevent distortion of and transient responses. On the other hand, the requirements for the stability of the power supply voltage are very mild and the following version of power supply is likely to be optimum, see diagram, for which

$$R_{out} \approx \frac{(r_{ZD} + r_{eTr3}) + r_{bTr3}/h_{21ETr3}}{h_{21ETr1} \cdot h_{21ETr2}}$$

$$\text{and } K \approx \frac{r_{cTr1} \cdot r_{cTr2}}{r_{cTr1}/h_{21ETr1} + r_{cTr2}} \frac{1}{r_{ZD} + r_{eTr3} + r_{bTr3}/h_{21ETr3}}$$

The existence of the additional parametric stabilizer (with additional winding of the transformer) for the supply of the zener diode D increases dramatically the ripple suppression coefficient (stabilization factor K), by approximately one hundred times. As a rule the frequency and transient properties of this stabilizer are better than in multistage stabilizers.

This power amplifier circuit can be designed on the basis of maximum possible efficiency (a push-pull version is also possible⁶), or on the basis of the smallest power dissipation by transistors Tr_2 and Tr_3 . In general the maximum possible efficiency approaches 8.6%, or 25% with a dynamic current source as R_6 .

Further reading

- Ryffert, H. Die Grenzen der Hörbarkeit nichtlinearer Verzerrungen vierter und funfter Ordnung für die einfache Quint. *Frequenz* 1961, 8.
- Daugherty, D. C. and Greiner, R. A. Design objectives for audio power amplifiers, *IEEE Trans* vol. AU-14, March 1966.
- Stepahenko, P. Osnovi Teorii Transistorov I Transistornih Shem, "Energia" 1977.
- Oren, R. Discussion of views on popcorn noise in bipolar transistors, *IEEE Trans* 1971, vol. ED 18 no. 12.

Appendix 1

Output resistance R_{out} is approximately

$$r_c + \frac{R_S + r_b}{h_{21E}} \approx r_{cTr3} + \frac{r_{eTr2} + r_{bTr3}}{h_{21ETr3}} \cdot \frac{r_{cTr3}}{r_{cTr2}/h_{21ETr2} + r_{cTr3}} + \frac{(R_3 || R_4) || R_5 + r_{bTr2} + \frac{(r_{eTr2} + r_{bTr3}) r_{cTr2}}{r_{cTr2}/h_{21ETr2} + r_{cTr3}}}{h_{21ETr2} \cdot h_{21ETr3}} \quad (1)$$

where r_c function of many variables for the given type transistor and approximately equal to 2 to $4 \times 10^3 / I_c$ ohm, and $r_e \approx 0.026 / I_c$ ohm. f_{rise} of $|Z_{out}|$ for +3dB = $f_{zero} \ll F_{upper}$.

$$R_{in} \approx r_b + h_{21E} \left[\frac{r_c}{h_{21E}} || (r_e + R_6 || R_L) \right]$$

Omitting r_b and r_e in our case

$$R_{in} \approx h_{21ETr2} h_{21ETr3} \left[\frac{r_{cTr2} r_{cTr3}}{r_{cTr2}/h_{21ETr2} + r_{cTr3}} + \frac{1}{h_{21ETr2} h_{21ETr3}} \right] || (R_6 || R_L) \quad (2)$$

and $R_{in} < r_{cTr2}$.

Value $r_c = r_c(I_c + S(t))$ depending on the signal current imposes a principle restriction on the attainable nonlinear distortion level, depending

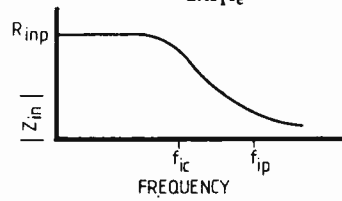
on R_2/R_{in} . Moreover, it is obvious that the value r_c is in itself a source of nonlinearity.

Appendix 2

Based upon Jiacoletto's simplified equivalent network for a bipolar transistor (TR_1). If $R_2 = 0$,

$$Z_{in} \approx \frac{r_b + r_{b'e} + j\omega[C_{b'e} + C_c \cdot 1/r_e \cdot R_3] || R_4 || R_5}{1 + j\omega[C_{b'e} + C_c \cdot 1/r_e \cdot R_3] || R_4 || R_5} \cdot r_{b'e}$$

where $r_{b'e} = r_e h_{21E}$, $C_{b'e} = \frac{1}{2\pi f_{Tf_e}}$ and $C_c = C_c(V_{ce})$



The function Z_{in} has a pole and zero, where the pole frequency is $f_{ic} < f_{upper}$

$$f_{ic} = \frac{1}{2\pi[C_{b'e} + C_c \cdot 1/r_e \cdot R_3] || R_4 || R_5} \cdot r_{b'e}$$

References

- Zwicker, E. Feldtkeller, R. Das Ohr als Nachrichtenempfänger, S. Hirzel Verlag, Stuttgart 1967.
- Taylor, C. A. The physics of musical sounds. 1966.
- Petri-Larmi, M. Ojala, M. and Lammasniemi, J. Psychoacoustic detection threshold of transient intermodulation distortion. *J. Audio Eng. Soc.*, 1980, vol. 28, no. 3.
- Cykin G. S. Negative feedback and its usage. Svyaz publishing house, 1940.
- Goron E. I. Study on perceptibility of distortions in broadcasting channels. Svyaz publishing house, 1959.
- Miloslavsky Y. Wideband audio power amplifiers, *Wireless World*, June/July 1980.
- Fishtein, A. M. Distortions in linear amplifiers caused by variable component transistor junction temperature. *Radiotekhnika*, no. 12, 1980.
- Voishvillo, G. V. Usilitelnie Ustroistva. Svyaz, Moscow, 1975.
- Rimsky-Korsakov, A. Calculation of perception of non-linear distortion in electroacoustic channel, *Acoustic Journal* (USSR Academy of Sciences) 1956, vol. 2, no. 1.

LITERATURE RECEIVED

VisiCalc users can get 'hotline' answers to any problems they may have with the system from Gunther Computer Consortium, who also publish a newsletter each month and run seminars on the use of VisiCalc. Gunther Computer Consortium, Lake Drive, Southampton, NY 11968, USA. **WW400**

Microprocessor and memory i.cs from Fujitsu, monochrome and colour v.d.us from Panasonic, and Ethernet transmitter and control products are listed in shortform stocklist and price guide from Ambar Components Ltd, Gatehouse Road, Aylesbury, Bucks HP19 3ED. **WW401**

Wide range of computer printers and interfaces, mostly in the 16 to 40 column range are listed in a 22-page product guide and price list. Introduction contains useful information on the advantages of the various types of printer. DED, 47 Station Road, Lydd, Kent TN29 9ED. **WW402**

Uninterruptable power supply unit from 1 to 6kVA are designed to protect sensitive equipment such as computers, data loggers, controllers, communications networks and alarm systems, is described in leaflet. Avel-Lindberg Ltd, South Ockendon, Essex RM15 5TD. **WW403**

Half-wave antenna for use with c.b. radio has been manufactured by a British company who have also produced a data sheet about it. Claimed to be manufactured to a high specification, the firm has previously made mobile antennas for civil and military use. Bantax Ltd, Abbey Road, Park Royal, London NW10 7SJ. **WW404**

Hand tools and tool kits for the electrical and electronic engineer are described in a 40-page catalogue. Sections of the catalogue are devoted to wire and cable strippers, crimping tools, pliers, nut and screwdrivers, ancillary equipment and tool kits. AB Engineering Co, Timber Lane, Woburn, Milton Keynes MK17 9PL. **WW405**

Two Plessey handbooks, one on **Linear integrated circuits** (PS1973) includes details of op-amps, linear r.f. amplifiers, phase locked-loop circuits, limiting wideband amplifiers and other radio communication and power control circuits. The other on **high-speed data processing** (PS1989) covers crystal oscillators, ECL III, data conversion circuits, fast gates, comparators, flip-flops and a-to-d/d-to-a circuits. Both from United Components Ltd, Unit 5, Wye Estate, London Road, High Wycombe, Bucks HP11 1LH. **WW406**

Clamps and clips, board supports and all sorts of plastics fasteners and components are illustrated in a 52-page catalogue from Richco International Company, West Street, Erith, Kent. **WW407**

A Guide to Personal Computing, produced by Digital should be more accurately titled the Guide to Digital Personal Computing as that company's products are featured prominently. Nonetheless, it contains useful information on computers and their operation and is free from Digital Equipment Co Ltd, Customer Information Centre, Basingstoke, Hants. **WW408**

Aids for the production of p.c.b. artwork, circuit diagrams consist of self-adhesive symbols and shapes which may be accurately positioned using a registration system and stuck down by finger pressure. Fully illustrated in a catalogue from Circuitape Ltd, New Street, Aylesbury, Bucks HP20 2LN. **WW409**

Eurocards for prototyping may be hand-wired rapidly may be re-wired easily if the **Quick-connect i.d.c.** system is used, according to an eight-page brochure from AstraluxDynamics Ltd, Red Barn Road, Brightlingsea, Colchester, Essex CO7 0SW. **WW410**

Measuring instruments for temperature, air flow velocity, humidity, velocity and the presence of gases are shown in a shortform catalogue from Testoterm Ltd, Old Flour Mill, Queen Street, Emsworth, Hants PO10 7BT. **WW411**

Signal processing circuits. Formulae, definitions and application notes are included in a Designers Guide and Handbook produced by Analogic. Guide covers a-to-d and d-to-a converters, sample and hold circuits, analogue multiplexers, filters, isolation circuits, power supplies and various subsystems. Available free from Analogic Ltd, 68 High Street, Weybridge, Surrey. **WW412**

Soldering irons from miniature to 500W sizes, temperature controlled or uncontrolled are listed in a catalogue from S & R Brewster Ltd, 86 Union Street, Plymouth PL1 3HG. **WW413**

Nickel cadmium, sealed lead-acid batteries and a variety of battery chargers and battery holders are listed and priced in a leaflet from Sandwell Plant Ltd, 2 Union Drive, Boldmere, Sutton Coldfield, West Midlands B73 5TE. **WW414**

Multi-user computer system of British design based around the 16-bit 68000 processor, uses the Idris operating system and incorporates full C and Pascal compilers with disc drives which can read and write Unix, CP/M and RT-11 file systems, is fully described in brochure from Integrated Micro Products Ltd, Number One Industrial Estate, Medomsley Road, Consett, Co Durham DH8 6SY. **WW415**

Forth computer

Interface circuits and software for disc-drive control are main subjects of Brian Woodroffe's third article describing his 6809-based microcomputer. First, operation of the video controller is concluded and i/o software discussed.

Character-code and row information for the video-controller i.c. is supplied as an address to a character rom. Character information for each row is fed to an LS165 shift register and serial output from this register is combined with synchronization signals in an analogue gate to give a standard 1V p-p composite-video signal which is subsequently fed to a u.h.f. modulator.

The dot clock, consisting of a Schmitt-trigger relaxation oscillator, should be adjusted to the minimum frequency to minimize the luminance bandwidth required in the monitor consistent with all text displayed on the screen. Character values 10 to 1F hexadecimal are programmed into the character rom to give coarse graphics. Two 2114 rams hold enough information for one 1024-character Forth screen to be displayed.

Two further video rams store text normally lost at the top of the screen. A switch allows a page of lost text to be displayed.

Terminal and i/o software

The Forth reset routine checks to see if there is an M6850 present and if not automatically redirects terminal i/o routines from the RS232 interface to the p.i.a. for parallel i/o. Forth words giving access to user ports are included in this operating system. These words, P@ and P! act in the same way as Forth words @ and ! except that they allow access to user i/o ports.

The software-driven output word, P!, makes data available on the p.i.a. B lines then activates the address coded on the A lines. On-input, P@, reads data while the port address is made. Output ports ideally connect to LS273 latches and input ports to LS244 buffers. Port-strobe lines are decoded from the p.i.a. A lines using LS138 three-to-eight-line decoders. Eight read and eight write ports can be connected to this hardware and if more ports are needed then a further 6821 p.i.a. could be connected and mapped into the USER variable-address area. Cursor control codes, i.e. decimal codes for EMIT, are as follows.

- 8 left (backspace)
- 9 right (tab)
- 10 down (line feed)
- 11 up
- 12 home and erase
- 13 carriage return
- 14 home
- 15 carriage return and line erase

Disc interface hardware

Interfacing to the floppy disc⁶ is done using the most readily available controller

The author is with Hewlett Packard in research and development.

by Brian Woodroffe

since it is cheaper than using s.s.i./m.s.i. devices. Complexity of the WD1793 controller is comparable to that of the 6809. The first problem was interfacing an 8080 style peripheral to the M6809 bus, the main difficulty being the writing data-hold times.

The problem of data-hold times was solved using the memory-ready signal, MRDY, which when active (low) holds the processor clock cycles in an E-not-Q state for at least one quarter of a bus cycle. This quarter cycle provides the hold time. The memory-ready signal triggers a monostable multivibrator each time the processor wants access to peripheral-drive address space between C000 and DFFF on the rising edge of the Q clock and this signal forms the floppy-disc controller write signal.

A read signal is derived from clocks E and Q. Interrupt and data-request outputs of the floppy-disc controller are connected to the processor FIRQ pin so that data transfer can take place using the M6809 SYNC instruction. As noted before, a floppy-disc drive's data rate can cause problems when d.m.a. is not used. In double-density recording on a 5¼in floppy using a WD1793 controller, the worst-case data-transfer rate is 27µs/byte. Coding is shown in Table 1.

The trick is that SYNC stops the M6809's execution without affecting the clocks until the floppy-disc controller interrupt occurs and the processor resumes execution. This provides quick synchronization between the processor and controller. Despite that modifying the direct-page register gives quicker access to the f.d.c. which is in high memory, this feature was

not used because of the extra coding needed. Had the processor clock been slower this alternative might have been necessary.

Interfacing the floppy-disc controller to the drive is the next problem. Most of this is covered in an ANSI standard⁷ but the problem of clock recovery remains. Because of mechanical constraints, data read from disc will not be synchronous with any processor clock so clock information contained in the data stream must be extracted. In single-density recordings each bit cell has a clock bit and a possible data bit (no data bit is zero) and in double-density recording the position of the bit within the cell determines whether it is a one or a zero. A clock synchronous with incoming data is required to determine the incoming bit's position.

Although it gives the best performance, a phase-locked loop circuit was rejected on grounds of cost. Instead a crystal clock running at eight times the nominal read clock is used and a divide-by-eight version of this clock is phased with the incoming data to recover the original clock. First the incoming bit stream is synchronized to the crystal clock (×8) to produce pulses with accurately defined widths using an LS74. This pulse stream is fed to the floppy-disc controller (RAW READ).

The reading clock is provided by an LS161 counter which is normally held off until the controller wants to read the disc, when the counter is enabled by the read-gate signal. This counter would normally free run at about the nominal clock rate, but it is synchronized by applying the raw read signal to its load input. The load frequency locks its D output (READ CLOCK) so that it changes mid-way between input bits. As the maximum number of bit cells without read bits is three, the recovered clock never gets too far out of phase.

Table 1. Code showing how the M6809 SYNC instruction is used for floppy-disc drive data transfer.

BRED2	STB FDC	F7C000	2	send command byte to f.d.c.
	SYNC	13	2	wait for f.d.c. response
	LDB FDC	F6C000	5	get status
	BITB #2	C502	2	test byte-in
	BEQ BRERR	2710	3	no, then error
	LDA FDC+3	B6C003	4	get byte
	STA 0, Y+	A7A0	7	store, advance pointer
	LEAX -1, X	301F	5	reduce count
	BNE BRED2	26EF	3	loop back
BRED3	LDB FDC	D600		wait till
	BITB #1	C501		f.d.c. finishes
	BNE BRED3	26FA		
BRERR	RTS	39		

32 cycles at 1.5MHz = 22µs

Upon entry B=command code

Y=pointer to data destination

X=byte counter

Problems with phasing are most noticeable when double-density recording is used, so a means of preventing bunching of the bits is used. Precompensation⁸ prevents bunching by moving the written data bits slightly relative to the nominal position in a bit cell so that when the data is read back the bits appear to be in their correct positions. The matter of precompensation depends on the drive used. For those drives that do not require precompensation, including the TEAC FD50A used in the original design, the precompensation circuit is omitted.

The disc should be set to respond to its address and head-load on drive select and not to the motor-on signal, i.e. the TEAC FD50 disc drive should be set as follows (for further drives, follow the same pattern).

DRIVE 0

HS=set, MX=set, DS0=set,
DS1,DS2,DS3=unset,
HM=disconnected.

DRIVE 1 (if fitted)

HS=set, MX=set, DS1=set,
DS0,DS2,DS3=unset,
HM=disconnected.

Disc-interface software

Under command of the c.p.u., the floppy-disc controller takes care of head positioning, sector positioning, data serialization and cyclic-redundancy checking. As soft sectoring is used, sector positioning is determined by the address record read from the formatted disc. The controller may be programmed to format the disc. So long as certain inter-record gap and record sizes are adhered to, the formatted disc capacity may be increased, Table 2.

Different systems use different sector formats⁹, numbers and sizes of sectors and sector numbering systems. In this system, all variables associated with disc formatting are defined by the user which means that most disc formats may be read. The sector size is written into the address record of each sector so it is possible for the system to adjust its buffer size to that of the disc. Forth word ?DISC is included to read the current disc and set parameters termed DENSITY, B/BUF and SEC/TRK to those associated with the disc. Only formats mentioned in Table 3 apply to the disc format program and ?DISC.

When formatting a disc, it can be advantageous to interleave the sectors on a track. With this in mind a dummy word SKEW was included which is currently defined as no operation, but it may be redefined to perform an interleaving algorithm during formatting, Table 3. Defining Forth word FORMAT for disc formatting is shown in Table 4.

Forth treats all disc memory systems in the same way, i.e. as a contiguous set of 1024byte screens, hence the choice of a v.d.u. Main Forth words used to gain access to screens on a disc are R/W, which moves data between a disc and memory, and BLOCK. As disc sector size depends on format, words BLOCK and constants B/BUF, bytes-per-sector, SEC/TRK, sectors-per-track, TRK/SIDE, tracks-per-

Table 2. Capacity of a formatted disc may be increased provided that certain record sizes and gaps are not exceeded.

Density	Single		Double	
Bytes/sector	128	256	256	512
Sectors/track	16	10	16	10
Bytes/track	2048	2560	4096	5120
Bytes/disc	82K	102K	160K	205K
Relative	100%	125%	200%	250%

side and SIDE/DISC provide a means for Forth to work out which sectors make up a screen. The size of virtual memory buffers in Forth should be the same size as a sector.

Time taken for the head to position itself over the relevant track is a major constraint when using disc drives. Other time factors for a 5¼in floppy-disc drive are motor start-up time, head-load time and rotational latency. To speed up access time for double-sided discs it is usual to physically combine two tracks on opposite sides of the disc into one logical track. This minimizes head seek time for it is likely that the sector required will be on the same bigger logical track and the time taken to gain access to the other side of the disc is governed by the time taken for an electrical switch to act rather than by the delay of a mechanical head seek. But since Forth treats all discs in the same way, including this feature would have meant that one could not mix single and double-sided discs.

When using the Teac FD50A disc drive, access time is dominated by the start-up time of 1s. If faster disc drives are used, time constants may be changed (discussed in a following article). Start-up time and head-stepping rate constants are moved into ram from eeprom by the Forth start-up word COLD and may be modified to suit faster drives. Forth constants normally hold the values of constants in the param-

ter-field address (p.f.a.) but as this system is rom based, modification of the constants would not be possible so they are coded with a new routine which stores the value in ram. This list shows how the constant DENSITY is altered from single to double density and gives other constants and their meanings.

DENSITY = 1 (double density, 0 for single density)

B/BUF = 512 (number of bytes per disc sector)

SEC/TRK = 16 (number of sectors per disc track)

TRK/SIDE = (number of tracks on disc, normally 35-40 for a mini-floppy)

SIDE/DISC = 1 (2 for double-sided)

SEC-OFST = 1 (for numbering sectors 1 to n, 0 for numbering 0 to n-1)

1 (value to store, returned after execution of DENSITY)

' DENSITY (find DENSITY p.f.a. address)

@ (p.f.a. in this special constant points to constant position)

! (store 1 there)

Power supply

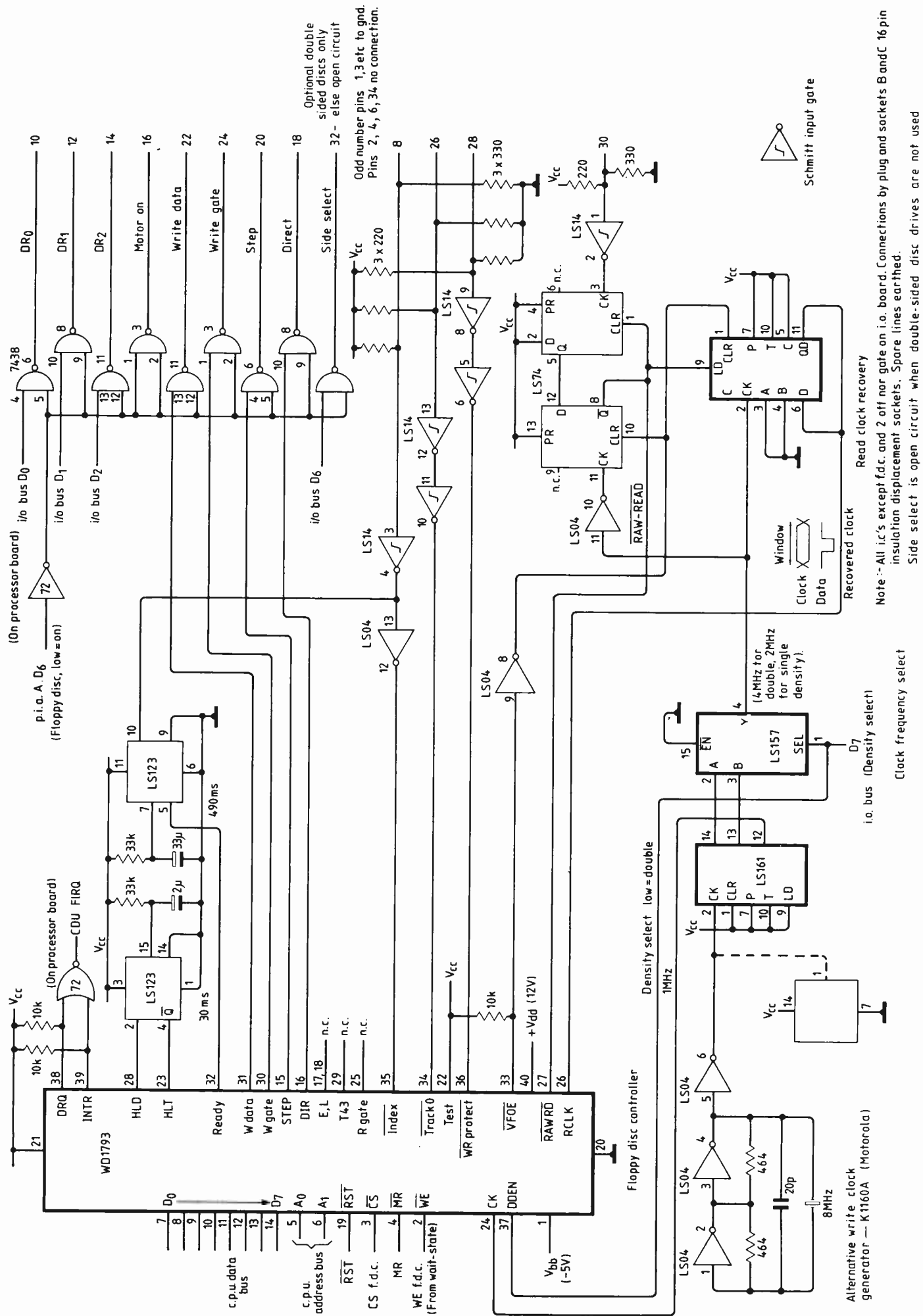
Only one 15V secondary winding is required on the transformer to provide a low-current -5V supply for biasing the dynamic rams, +12V for the rams and floppy-disc drive and +5V for all logic circuits. A minimum value for the unregulated supply is determined by the 12V rail; unregulated input should be 20V to ensure adequate regulation with low mains supplies. Heaviest current demands are on the 5V supply and using a linear regulator to provide this rail would have resulted in excessive heat generation with a loss of efficiency so a switching regulator was designed.

Table 3. Example of a routine for defining dummy word SKEW to give interleaved formatting.

FORTH HEX	(select Forth and hexadecimal number base)
: SKEW1 DUP	(new word, duplicate sector # to be interleaved)
1 AND IF	(only even sectors are interleaved)
SEC/TRK 2 / FE AND	(sector offset by half the disc)
+ SEC/TRK MOD	(add offset and keep with 0 ... n-1 sectors on track)
THEN ;	
' SKEW1 2 -	(find c.f.a. of new interleaving address)
' SKEW !	(find old skew p.f.a. and overwrite no-op there)

Table 4. Routine for defining Forth word FORMAT for disc formatting.

: FORMAT	(start compiling the word format)
0 DR-SEL 100MS RATE CMND	(turn disc drive on, seek track 0)
#SIDES 0 DO	(do for both sides)
TRK/DISC 0 DO	(do for all tracks)
DP @	(save pointer to scratch area)
I J BLD-TRK WR-TRK	(build up image of track, write it out)
." track/side/status=" I . J . . CR	(inform user, 0=good status)
1 STEP	(step in for next track)
DP !	(recover scratch area)
LOOP	
RATE CMND LOOP	(for other side)
DE-SEL ;	(turn drive off, finish compilation)
FORMAT	(carry out format)



Optional double sided discs only Pins 2, 4, 6, 34 - else open circuit

Odd number pins 1,3 etc to gnd. Pins 2, 4, 6, 34 no connection.

Schmitt input gate

Read clock recovery

Recovered clock

Window

Clock Data

Recovered clock

Read clock recovery

Recovered clock

Recovered clock

Note :- All i.c.'s except f.d.c. and 2 off nor gate on i.o. board. Connections by plug and sockets B and C. 16 pin insulation displacement sockets. Spare lines earthed.

Side select is open circuit when double-sided disc drives are not used

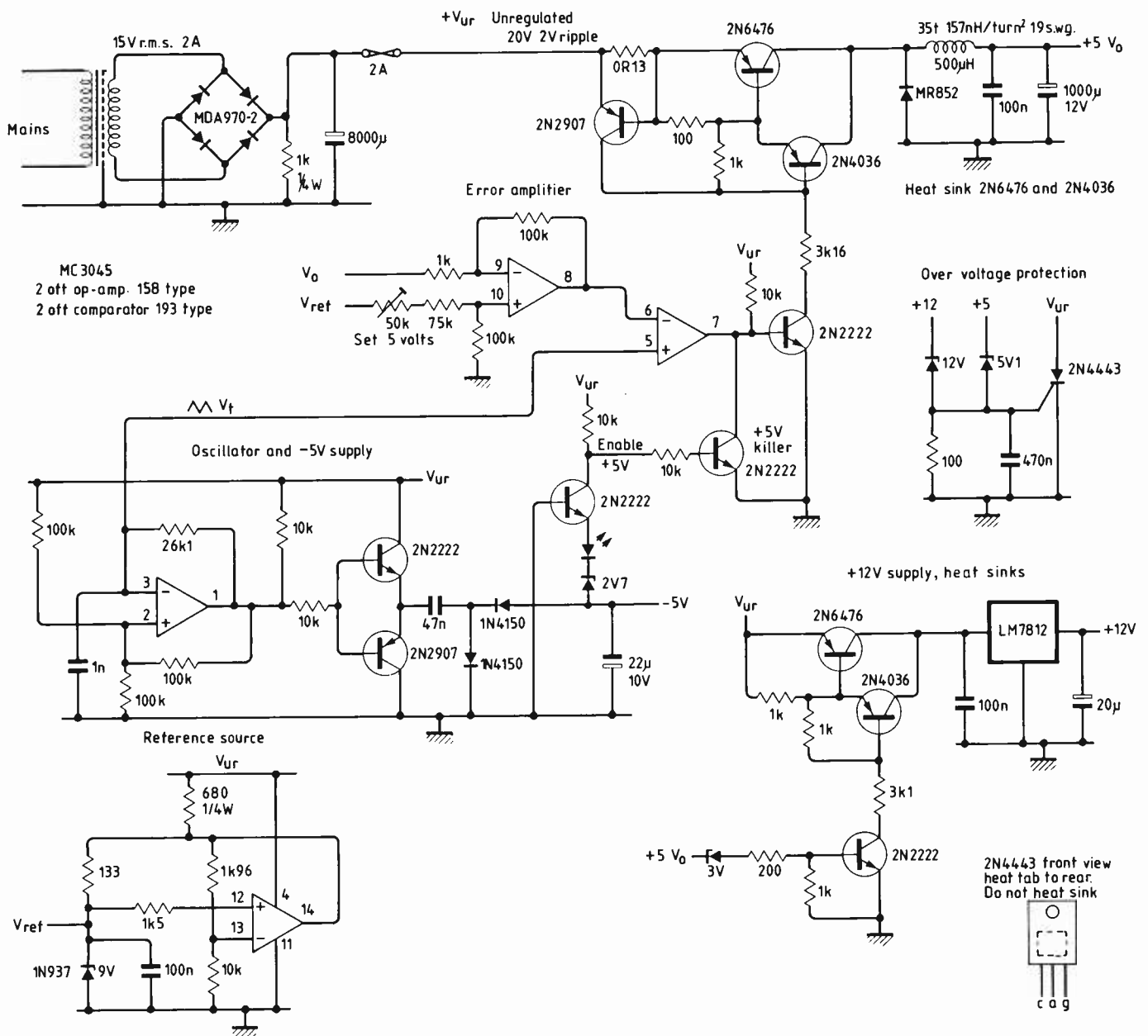
Clock frequency select

Density select low = double

Alternative write clock generator - K1160A (Motorola)

8MHz

Wireless World July 1983



After bridge rectification and capacitive filtering, the 15V r.m.s. transformer output gives approximately 20V. Dynamic rams are sensitive to the sequence in which power is applied to them so the supply had to be designed so that -5V appears first, followed by +5V then +12V.

Heart of the switch-mode power supply is a relaxation oscillator, the squarewave output of which feeds a charge pump to produce about -20V peak. This is regulated by a zener diode to produce -5V. Reference for the +5V supply is a 10V zener diode connected in a feedback loop to maintain constant current even when

Disc interface uses a readily available controller which works out cheaper than an equivalent circuit using s.s.i./m.s.i. devices. Clock information in data read from disc is synchronized using a crystal-controlled oscillator running at eight times the rate of the incoming-data clock. The prototype computer has a standard Teac 51/4in floppy-disc drive.

Switch-mode power supply uses one 15V r.m.s. secondary winding for +12V, -5V and high-current +5V rails. Frequency of the relaxation oscillator is 17kHz, giving the best compromise between smoothing component sizes and loss in efficiency due to switch transition times eating away at the duty cycle. Gating ensures that dynamic rams receive their three supply rails in the correct sequence and s.c.r.s provide overvoltage protection.

the 20V unregulated supply varies. An error signal derived from the +10V reference and +5V supply, and the relaxation oscillator triangle wave are fed to a comparator. A portion of the triangle wave depending on the magnitude of the error signal is fed to the switching transistor. This pulse-width modulated base drive is disabled when the -5V supply is not present.

The free-wheel diode, inductor and smoothing capacitor are fed by the switching transistor and are chosen with the operating frequency in mind. Around 17kHz is used since it is the best compromise between high-frequency losses and

component size. At low frequencies the smoothing capacitor and choke become too large and at high frequencies the switching transition time takes up a large portion of the cycle time and efficiency is reduced.

Unregulated supply passes to the 12V monolithic regulator under control of a transistor switched by the +5V supply. To prevent overvoltage problems, an s.c.r. is included which switches on and blows the secondary winding fuse if either the +5 or +12 rails rise too high.

To be continued with construction tips, parts list and vocabulary.

References

6. J. R. Watkinson, Disc drives, *Wireless World*, Mar. - May & July-Dec. 1982, Jan.-Mar. 1983, especially Oct. & Nov. 1982.
7. American National Standard, Interfaces between flexible disc drives and their host controllers, X3.80-1981 (ANSI).
8. J. F. Hoepfner & L. H. Wall, Encoding/encoding techniques double floppy-disc capacity, *Computer Design*, Feb. 1980, pp 127-135.
9. E. Kadison, 5.25in floppy-disc formats, *Electronic Design*, 23 Dec. 1982, p.135.

CIRCUIT IDEAS

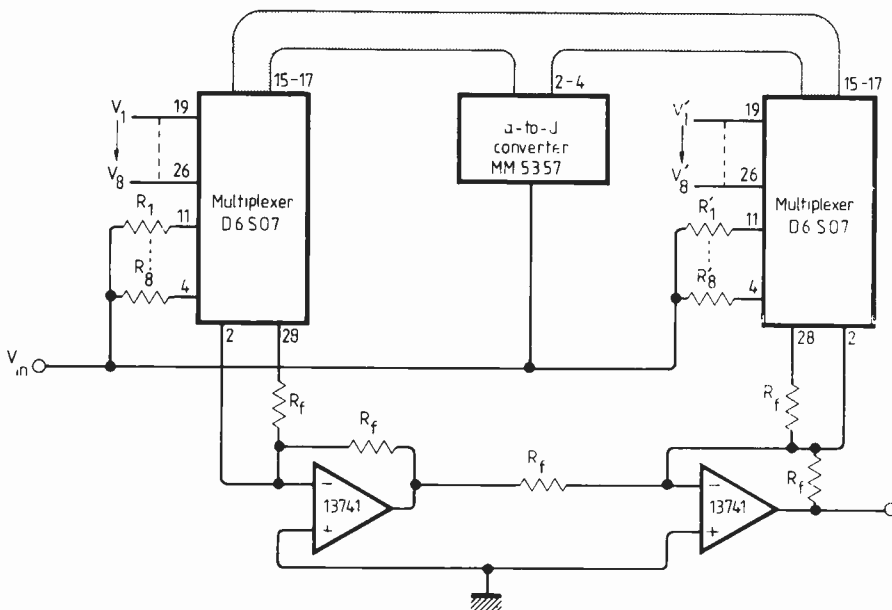
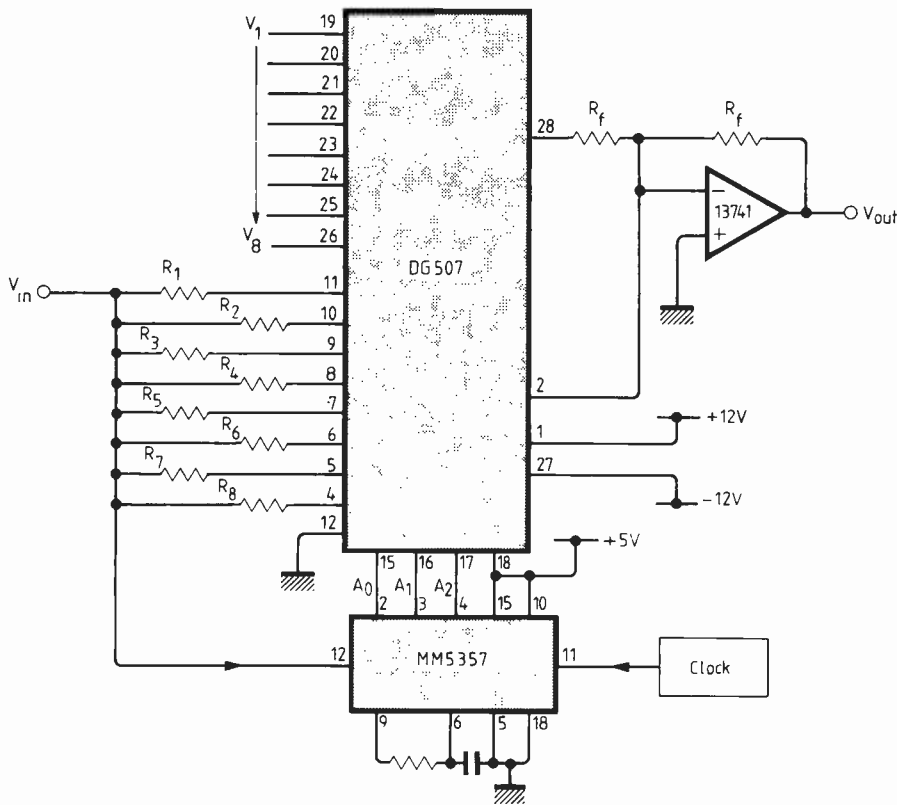
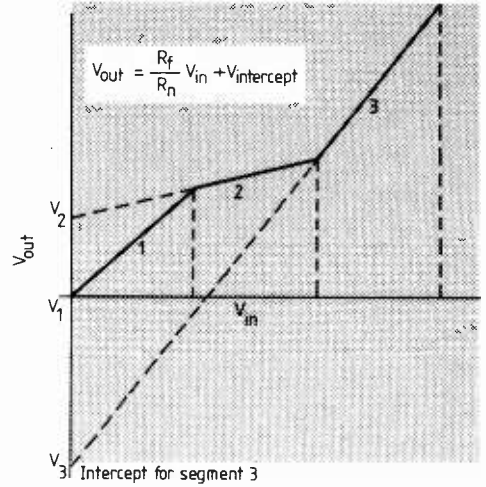
A-to-d realises non-linear functions

An analogue-to-digital converter and differential multiplexer can replace diode function generators to realise arbitrary transfer functions with flexibility and excellent drift characteristics. The circuit shown is for an eight-segment function using the three most significant bits of an inexpensive a-to-d converter to generate eight segments.

The converter is connected in contin-

uous-convert mode and controls the multiplexer. Depending on the converter output, the appropriate slope-select resistor and intercept voltage are switched in to realise the transfer function. The number of segments may be increased and the circuit extended for positive and negative slopes as shown. These circuits can realise continuous or non-continuous transfer functions.

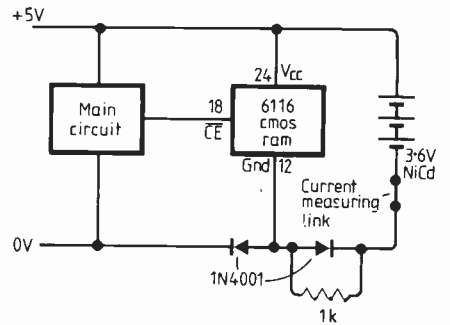
K. Neelakantan
Reactor Research Centre
Kalpakkam
India



Simplified backup for cmos rams

The prime consideration when setting cmos ram in low-current standby mode is that the chip-enable voltage must be $\geq V_{cc} - 0.2$. Usually one would use back-to-back diodes with a charging resistor in the positive supply rail but anything connected to the chip-enable input must allow the voltage to drop to zero when the main supply is removed so a switch and pull-up resistor are usual. Current through the measuring link should drop from a few mA to a few μA when the main supply is removed.

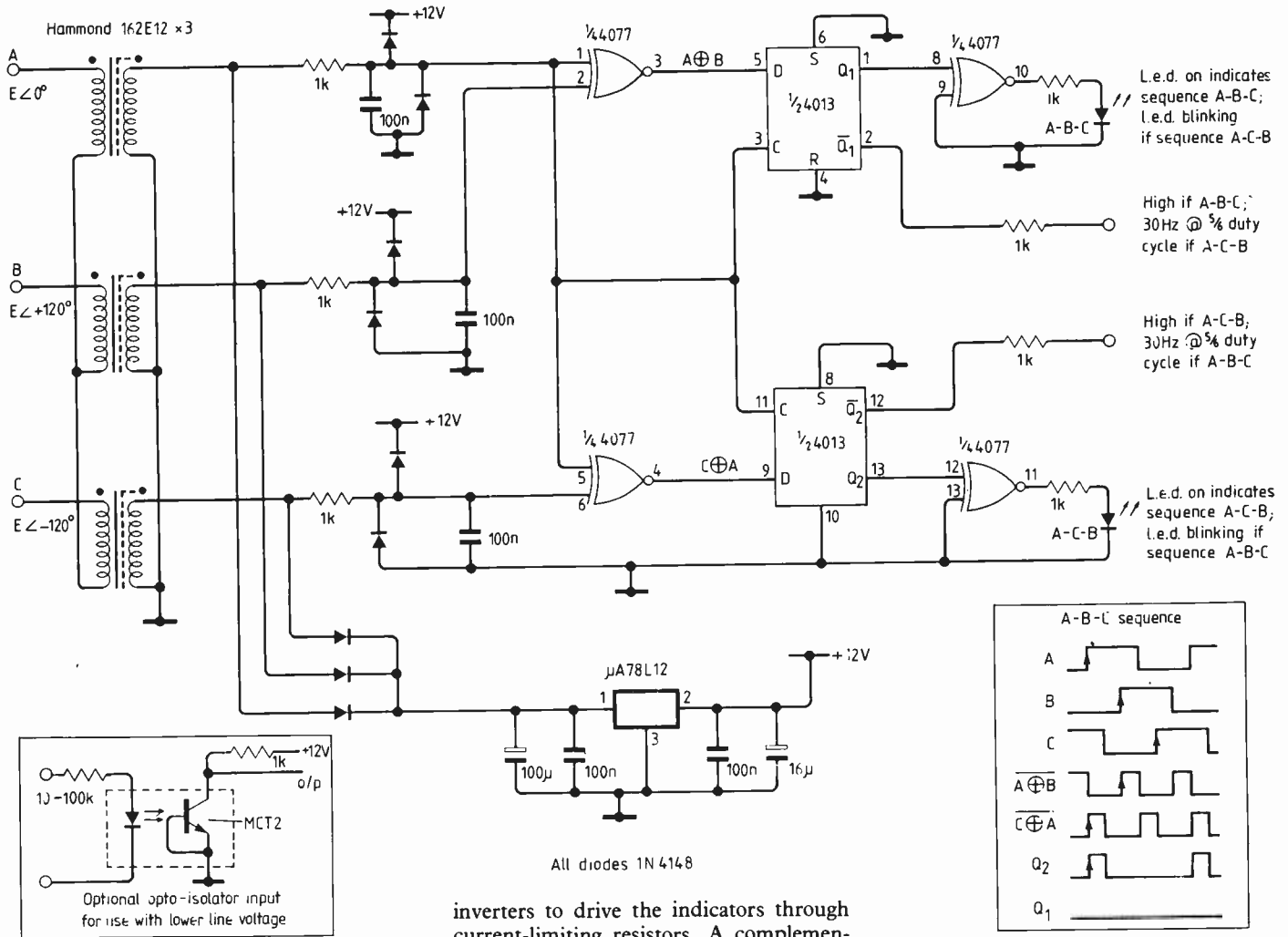
V. R. Halsall
Bushey
Watford



Three-phase sequence detector

Phase-sequence detection in three-phase systems can be accomplished by generating signals that contain the relative phase difference between two successive phases and comparing them with an arbitrary reference.

Two exclusive-NOR gates form phase comparators to produce signals representing the difference between phases A and B ($A \oplus B$) and C and A ($C \oplus A$). Since the voltages applied to A, B and C have phases of $E \angle 0^\circ$, $E \angle +120^\circ$ and $E \angle -120^\circ$ respectively and exclusive NOR operation



produces signals that contains the $\pm 120^\circ$ phase difference. Appropriate outputs are compared with a reference clock to give sequence detection; outputs $A \oplus B$ and $C \oplus A$ are compared with the reference phase A using two D-type flip-flops.

The flip-flop output is low or switches at 30Hz with a 1/2 duty cycle depending on whether the sequence is normal or reversed. Two remaining NOR gates form

inverters to drive the indicators through current-limiting resistors. A complementary output from the flip-flops may be used to activate reverse-sequence alarms, relay drivers, direction indicators for motors and gyrocompass synchro-repeaters or for inhibiting three-phase s.c.r.-controlled battery chargers to avoid misfiring which leads to line-to-line faults.

Three 230/12V isolating transformers are star-connected to allow a larger input-voltage swing and limit the upper input voltage to 440V. When the input voltage

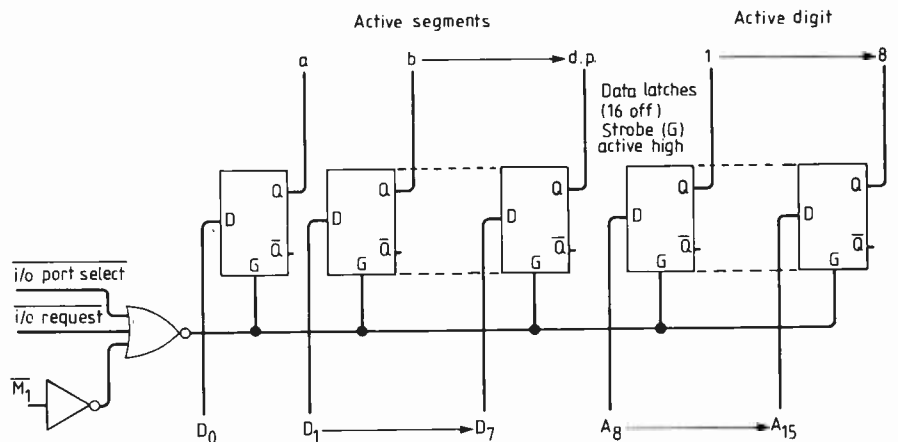
falls to 190V the regulator is affected. Input capacitors filter line harmonics and r.f. For lower line voltages opto-isolators may be used instead of transformers but a separate power supply is needed; batteries make the unit portable.

A. L. Eguizabal
Vancouver
Canada

Z80 16bit output

Normally one would use two output ports of the Z80 to give a 16bit word but if both bytes are to be strobed or latched at the same time, additional hardware is needed to synchronise the two output executions and complications arise. But during an $OUT(C),r$ instruction the Z80 places data and the port address on data lines and the lower byte of the address bus respectively and places B-register contents on the upper eight address lines so only one output-port instruction and one output port are necessary.

The circuit was used to control eight multiplexed seven-segment leds for a small controller. I/O port-select was not decoded - A_5 was used instead. If one of address lines 0 to 7 is used it must be low to select.



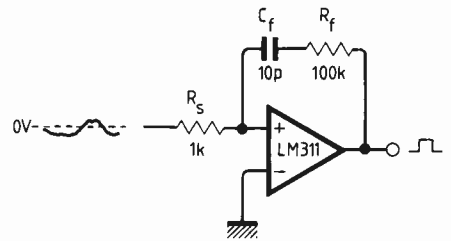
CIRCUIT IDEAS

Data to control the active segment is loaded into the accumulator, the active digit mask is loaded into register B and the port address is loaded into register C. An OUT(C),A instruction is then executed. Common-anode or common-cathode leds may be used. Active digit outputs should

be buffered by transistors.

It is also possible to perform an eight-bit input and an eight-bit input with only one input instruction with a different circuit.

Javier Cazot
Horndeau
Hants



Positive feedback without hysteresis

This circuit overcomes the problem of conventional d.c. hysteresis degrading precision low-level detection for comparators driven from poor voltage sources. To obtain reliable switching from low-level voltages (<100mV) exhibiting slow rates of change and non-zero output resistance it is usually necessary to provide positive feedback around the comparator. Direct-current positive feedback can generate sig-

nificant hysteresis, substantially shifting the switching levels, resulting in an asymmetrical output.

The method operates by a.c. coupling positive feedback through C_f resulting in zero d.c. hysteresis. The value of R_f is chosen to give the desired amount of feedback in conjunction with the source resistance R_s . Typical values for C_f are between 10-100pF. To operate correctly at high repetition rates requires that the time constant $C_f R_f$ is less than the time constant of the input waveform to ensure that C_f has

time to recharge between transitions. For best results, comparator supply lines should be decoupled to ground by 0.01 μ F disc ceramic capacitors close to the i.c. For example, using a 311 comparator a 50mV 1k Ω triangular waveform can be reliably switched with no hysteresis up to 1MHz with $C_f = 10$ pF and $R_f = 100$ k Ω .

B. Wilson
Nottingham University

Single-frequency shortwave receiver

I designed this shortwave receiver for one frequency only; it has the advantage that the local oscillator can be crystal controlled. Our radio news in Demark is rather bad so the receiver is designed to receive BBC World Service on 9.41MHz.

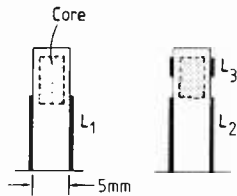
An SO42P (Siemens) forms the local oscillator and mixer, the output feeding a 455kHz LC filter followed by a 455kHz ceramic i.f. filter. I.f. amplification and a.m. detection are performed by a ZN414 (Ferranti). This i.c. has its own a.g.c. but it is not sufficient to handle large ampli-

tude variations on the shortwave band. To improve this the 414 output is amplified by about ten times after low-pass filtering. Output from this amplifier is connected to gate two of the mosfet h.f. stage to control gain and improve reception. Finally the l.f. signal is amplified by an LM386 (National Semiconductor) which gives

about 0.2W into 8 Ω with a 6V supply.

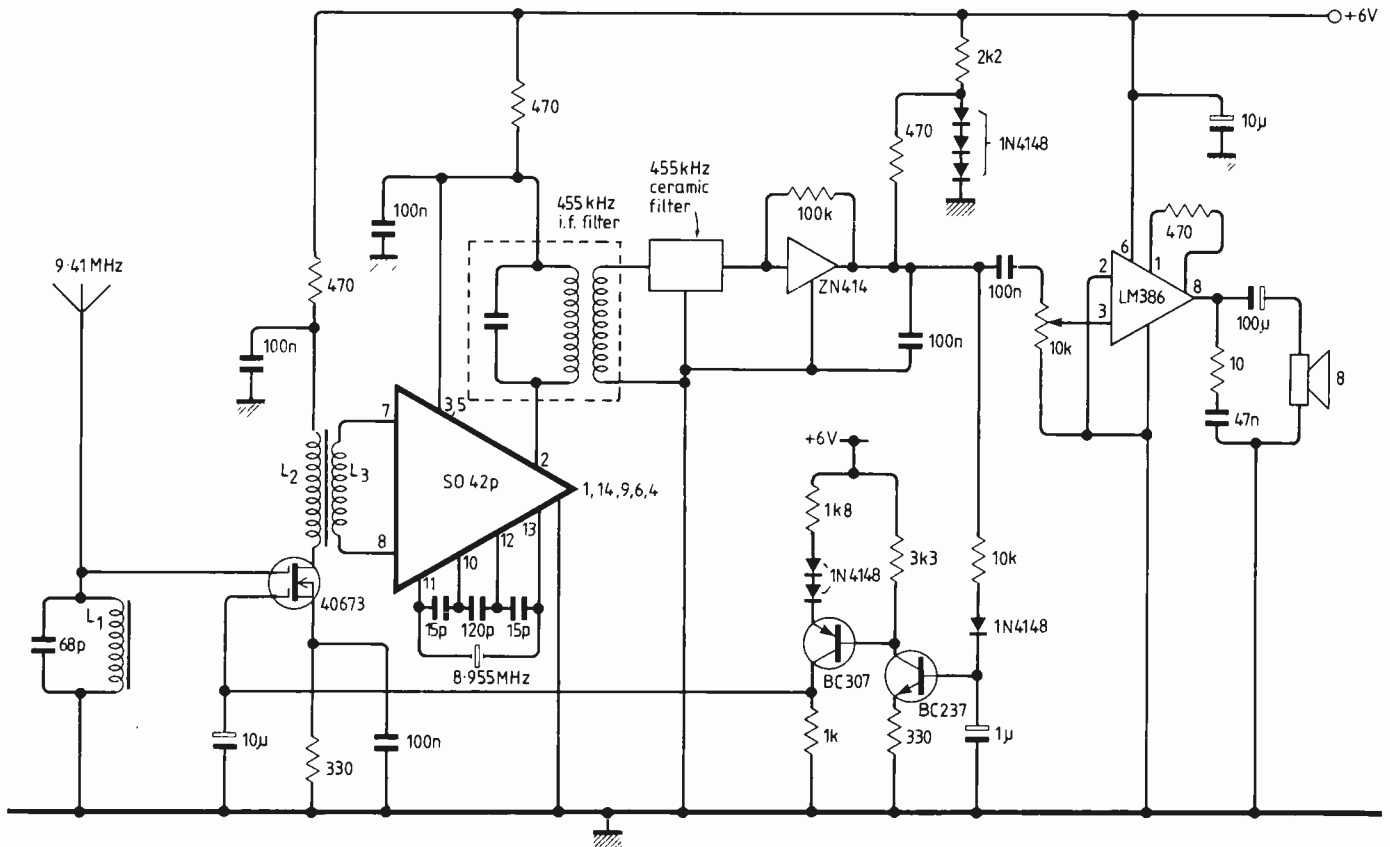
Per Hojlev
Copenhagen
Denmark

World Service frequency information can be obtained from BBC External Services Publicity, Bush House, PO Box 76, Strand, London WC2B 4PH.



COIL WINDING

L_1, L_2 : 30 turns of 0.3mm copper wire
 L_3 : 5 " " " " "



Thévenin-Norton transient theorem

The Thévenin-Norton theorem is restricted to the manipulation of independent sources only. This new theorem manipulates all sources, but still produces equivalent generators, similar to those contributed by Thévenin and Norton. Finding the generator immittance is now greatly simplified.

A theorem can be formulated that produces the two equivalent generators of a transient network¹, either entirely in the time domain, or in the s-domain. It extends to the case of dependent sources $ki(t)$ or $kv(t)$ being included in the network. Theorem:

A step-excited linear network with an accessible port has two equivalent generators, the series-form generator having the generator impedance in series with the open-port voltage due to all sources, the parallel-form generator having the generator impedance in parallel with the close-port current due to all sources, the generator impedance in time or s-domain form being the port looking-in impedance when all sources are removed.

In the theorem formulation, "all sources" means the driving sources together with all initial-value sources. Other kinds of driving sources may be substituted in accordance with the rules well known in the art. The proof of the theorem is provided by an application of the basic Source Transformation Theorem.²

As an example, consider the simple time-domain network in Fig. 1, where $i(t)$ is the unknown. We wish to replace the

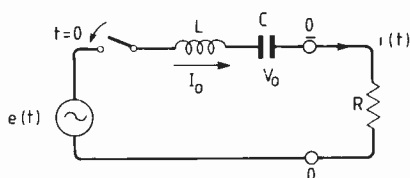


Fig. 1

network to the left of port 0,0 by a parallel-form generator, and we shall do this without leaving the time domain, making use of the D-operator. The desired network is shown in Fig. 2 (a). Employing the delta function,

$$i^*(t) = \frac{e(t)}{z^*(t)} + \frac{LI_0\delta(t) - V_0}{z^*(t)} \quad (1)$$

$$z^*(t) = DL + 1/DC$$

The equation read-off from the Fig. 2(a) network is

$$i^*(t) - \frac{RTi(t)}{z^*(t)} - i(t) = 0$$

and it is the same one that we would have

by Harry E. Stockman

obtained from the original network, proving our construction correct.

A common form of equivalent generator is shown in Fig. 2(b). To obtain this one, we pair the second term in equation 1 with the time-impedance $z(t)$ in Fig. 2 (a) and make use of the source transformation theorem² to change the combination into the series-form generator, shown as a shunt branch in Fig. 2 (b). Here $i^*(t)$ is the first term in equation 1.

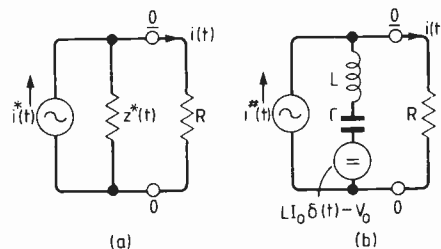


Fig. 2

The above is readily turned into an s-domain derivation by the observation of proper s-variables and the replacement of D by s. Many of the equivalent-network derivations are carried out much faster if we refrain from the use of the Laplace transform with its dependence on proper tables and instead stay in the time domain all the time. The required time-immittance is made available by the versatile D-operator. However, when the answer has to be given as an operator-free time expression, Laplace's method usually provides the quickest route to the answer, except for periodic steady-state portions, where Steinmetz' method yields a still faster solution.

Application example

An interesting case is at hand when the theorem is applied to a segment of a larger network, the segment containing dependent sources only. Then the Thévenin-

Norton theorem does not apply, while the new theorem allows us to construct an equivalent generator that replaces the segmented network. For a simple example see Fig. 3, where the network segment to be replaced is shown to the left of port AB, while the series-form generator that takes its place is shown in broken line to the right of port AB. Assume that the total network does not extend beyond the points marked x.

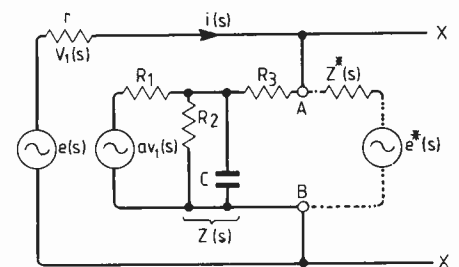


Fig. 3

If the driving voltage $e(s)$ is a step voltage, we may use Laplace's method, but if it is a sinusoidal e.m.f. we would probably use Steinmetz' technique. Consider the unknown quantity to be $i(s)$. The theorem yields directly

$$e^*(s) = arZ(s)i(s)/[Z(s) + R_1]$$

$$Z^*(s) = R_3 + Z(s)R_1/[Z(s) + R_1]$$

We readily find for the total network

$$i(s) = [e(s) - e^*(s)]/[Z^*(s) + r].$$

In this simple example, a conventional solution using Kirchhoff's laws is almost as quick, but for more complicated cases the theorem saves time. This is particularly true when the segmented network contains a mixture of dependent and independent sources, and when initial conditions must be taken into account.

1. H. E. Stockman, Transient Analysis Aided By Network Theorems. Sercolab, 1983.

2. H. E. Stockman, Network Theorem Book. Sercolab 1982, second edn.

Craft and technology

Should modern technology be combined with the craftsmanship associated with the past? Dr Ken Smith discusses the role of the industrial designer.

At a craft fair in Kent, I discovered a bracket clock of modern design, with fine traditional metalwork mounted in an handcrafted case of umber tinted transparent acrylic. The silvered chapter ring, brass spandrels and finials were finely engraved and hand finished. It gave the im-

By K. L. Smith

pression of being a traditional English timepiece while using modern materials.

In answer to my question, the designer/craftsman, Mr R. Marchant said, "Contemporary artists and craftsmen must use modern materials and mould them to give a message of what we are doing now".

My sympathy with this philosophy led me to muse about the function of indust-

Resonance applied to timekeeping

Up to about 1650, the escapement of mechanical clocks was aperiodic with a bang-bang type motion. These foliot escapements had virtually no Q and their period was dependent on the driving force. The discovery of the gravity pendulum in the early 1600's, although imperfectly understood initially as a resonant system, soon resulted in continuing improvements that have only 'saturated' in recent times, as the graph indicates. Clock-makers soon realised that the maintaining force should be tiny, for the best timekeeping. A whole epoch of fine clock-making gradually developed - with much work on escapements and long heavy pendulums. The long case and

bracket clocks of England reached a peak of fine craft.

On the theoretical side, logarithmic decrement, δ , became the standard quality measure of mechanical vibrations; this is the natural logarithm of the ratio of any two successive amplitudes. A pendulum will swing freely for some 2000 to 20000 times before reaching half initial amplitude. Now $Q = \pi/\delta$ therefore $Q = \pi n/\log_e 2$, and because n is the number of oscillations to reach half amplitude, this indicates that a good pendulum has a Q ranging between 10,000 and 100,000.

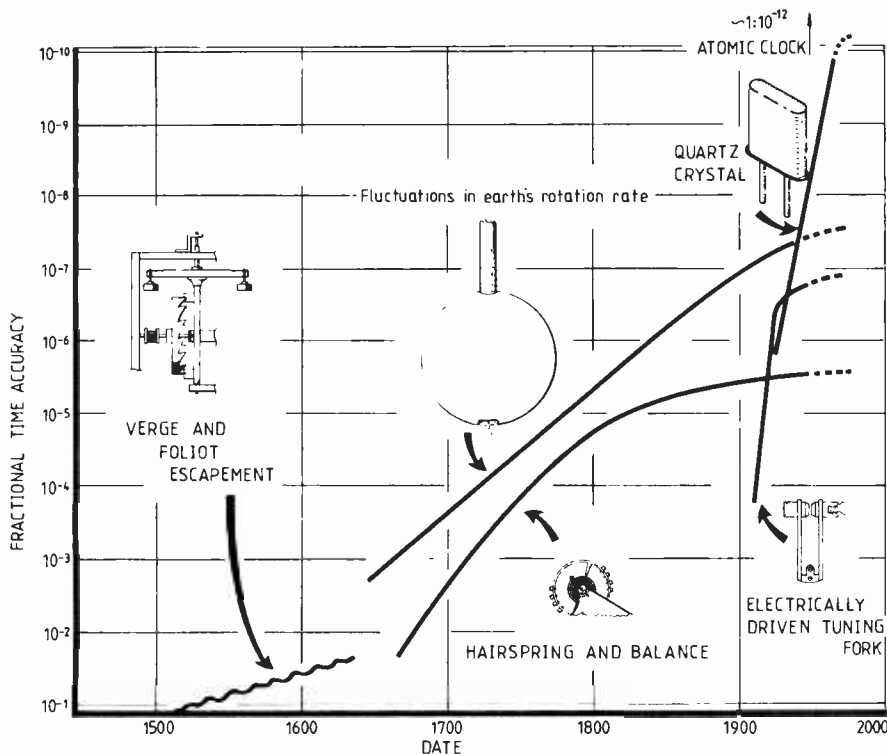
The piezoelectric effect was discovered by Jacques and Pierre Curie in 1880.¹ By 1917, A. M. Nicolson² had used a piezoelectric crystal to control the frequency of an oscillator, while P. Langevin³ used large resonant

blocks of quartz from 1918 onwards in his experiments on submarine depth sounding and signalling. In 1925, K. Van Dyke⁴ described the electrical equivalent circuit of a quartz plate, thus establishing the criteria for designing and calculating the Q of a quartz resonator.

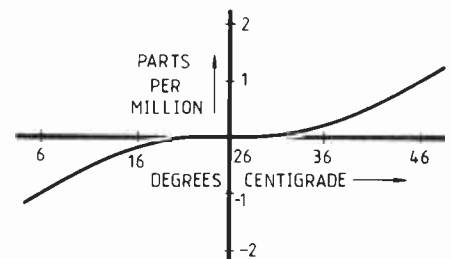
Much later (1947) Van Duke, with co-worker Maynard Waltz⁵ measured the decrement of a precision zero coefficient ring crystal made for high precision timing. They found that vibrating freely in a vacuum it would vibrate over a million times before the initial amplitude was halved. This indicates the Q was some 4.5 million.

The first person to propose the use of quartz crystals in clocks was Warren A. Morrison. His notebook for November 1924 clearly outlines a high frequency quartz controlled oscillator and frequency translation system for driving a clock motor. By 1927 with J. W. Horton⁶ he described and demonstrated a working quartz clock with temperature controlled crystal at a meeting of the International Union of Scientific Radio Telegraphy. Morrison's 1930 paper "The Crystal Clock"⁷ proposed the use of this clock as a world standard time source. It was developed and adopted and remained pre-eminent in this role until displaced only recently by the even higher precision atomic clock.

As indicated, the best crystal clocks⁸ reached an accuracy of a few parts in 10^{10} , some 100 times more precise than the fluctuations and variations that go on continually in the motions of the earth.



Continuous improvements in the various methods of timekeeping is well illustrated by plotting the date of the attainment of results against the precision obtained. (Three parts in 10^7 amounts to about one second per year).



One of the most useful cuts across a quartz crystal is the AT. This gives a cubic relationship for the temperature coefficient of the oscillating quartz bar, as shown here. The point of inflection, where the drift is nearly zero, can be chosen at room temperature by selecting the aspect ratio of the bar.

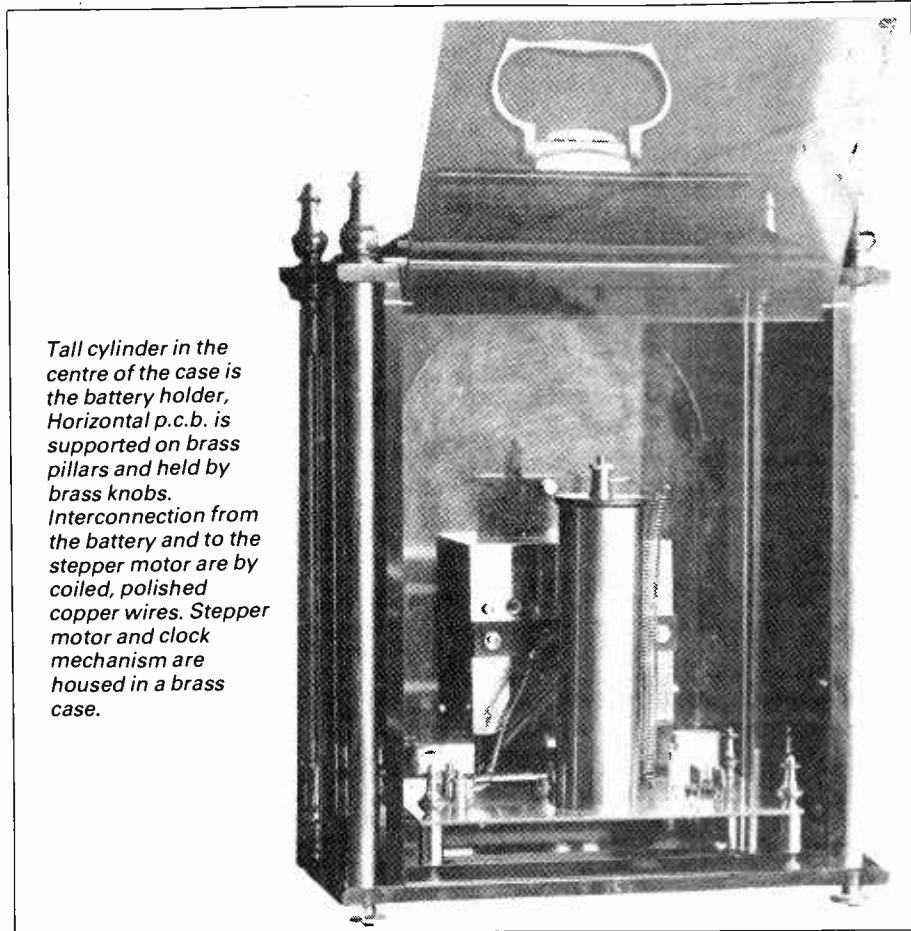
rial design. Such artefacts as a well-structured p.c.b, with all the components colour-coded and laid out for strictly functional use, can be aesthetically (though unintentionally) very pleasing, and may be subjects of study by future art historians, much as we now collect and discuss vernacular objects from the past. Many mass-produced goods disguise themselves in poor design, however good the technology incorporated in them.

What relevance has all this in an electronics journal like *Wireless World*? The answer is that the clock I have mentioned, although it originated in a cottage industry established by a craftsman, uses a very up-to-date quartz drive.

Many clockmakers denigrate the advance of the quartz clock; they think of it as damaging and vulgarising their craft. It is true that microelectronics with tiny precision quartz resonators, has completely swept the clock and watch market. Millions of digital and analogue devices have appeared and digital watches seem to cost little more than the cells that drive them.

Yet with high craftsmanship and deliberate exploitation of the medium, Mr Marchant's clock bridges the void between fine individually made objects and the anonymous mass-produced (although highly technological) goods.

The success of this design encourages me. It has a message that individualism in small scale industry is very much alive. There are artists and craftsmen on the fringe of capitalism who can use its media and materials to express themselves, and make an income. They do not need to go through the paraphernalia of 'management studies', 'rationalisation', factory development, growth and so on. In this age of depression, listlessness, unemployment, technocracy, with electronics engineers working as mercenaries on machines of death, this could be an important message, and much in keeping with some recent editorial comments in *Wireless World*. ❧❧❧



Tall cylinder in the centre of the case is the battery holder. Horizontal p.c.b. is supported on brass pillars and held by brass knobs. Interconnection from the battery and to the stepper motor are by coiled, polished copper wires. Stepper motor and clock mechanism are housed in a brass case.

References

1. Développement par pression, de l'électricité polaire dans les-cristaux hémédres a faces inclinées, Jacques and Peire Curie *Comptes Rendus*, vol. 95, 1892. pp. 914-917.
2. Generating and Transmitting Electric Currents, A. M. Nicolson, US Patent no. 2 212 845, filed April 10, 1918.
3. Improvements Relating to the Emmission and Reception of Submarine Waves, P. Langevin, French Patent no. 505 903, 1918. Also Brit. Pat. 145 691, 1921.
4. Electric network equivalent of a piezoelectric resonator, K. Van Dyke, *Phys. Rev.* vol. 25, 1925. p. 895.

5. The high Q of quartz resonators, M. Waltz and K. Van Dyke, *Jour. Acoustical Soc. America*, vol. 19, 1947 no. 4. part 1, p. 732.
6. Precision determination of frequency, J. W. Horton and W. A. Marrison, *Proc. I.R.E.* vol. 16, 1928. pp. 137-154.
7. The Crystal Clock, W. A. Marrison, *Proc. Nat. Acad. of Sciences*, vol 16, 1930. pp. 496-507.
8. Miniature Transistorized Crystal-controlled Precision Oscillators, W. L. Smith, *I.R.E. Trans on Insts*, September 1960. pp. 141-148.

Last chance to enter

Our cover reflects the theme of the competition announced in the March issue in which we invited readers to design an electronic device to help the disabled. We asked intending competitors to return their entry forms by the end of June, and so there is still an opportunity for you to take part if you have received this issue in good time.

An encouragingly substantial heap of entries is already with us. They come from participants of every description, including academic groups, professional designers working on their own or in teams and individual hobbyists. Some have already told us about the projects they are working on, and they range from small gadgets to complex computer-based devices. Complexity, however, will not win prizes if it means unreliability and a high cost to the user; and so the lone

entrant with limited resources is not necessarily at a disadvantage. Our judges will be looking for devices which provide a practical solution to the problems of the type of person they are aimed at and which are affordable as well.

board to allow disabled people to use electric typewriters and home computers; and a device to allow cerebral palsy sufferers to communicate by converting head-movements into synthesized speech.

More information about the compe-

COMPETITION £8,000 IN PRIZES

The competition has attracted entries dealing with a wide variety of disabilities. Projects we have heard about in the last few weeks include a device to allow blind people to detect colours; a specially-designed key-

tion, with an entry form and list of rules, appears on page 76. Returning the form to us does not commit you at this stage to any specific project, but all entries must be completed and submitted to the Editor by 1st October.

Single-chip printer controller

Until recently the preserve of the high-volume manufacturer, the single-chip microcomputer is now becoming available to a wider market. Here is an original application for an Intel 8048 microcomputer, as the controller for a small dot-matrix printer.

by S. J. Pardoe

Although the microprocessor has become an accepted electronic component rather than a curiosity, most engineers and users are familiar only with the general purpose 8 or 16bit devices exemplified by the 8085, 6502 and 6800. These microprocessors are always accompanied by random access or read/write memory (ram), read-only memory (rom) and input/output (i/o) devices to make them into something useful in a multichip system. In fact, these devices represent only the tip of the microprocessor iceberg.

By far the majority of applications are too cost-sensitive to use a multichip system, and the semiconductor device manufacturers have responded by designing a wide range of simple, cheap computers in which the c.p.u., ram, rom and i/o are integrated into a single silicon chip. These find applications from toys to business machines, and are sold in tens of millions. Many have special architectures optimized for control rather than computation, though a few are derived from gen-

eral-purpose processors, such as the 6502 or 6800.

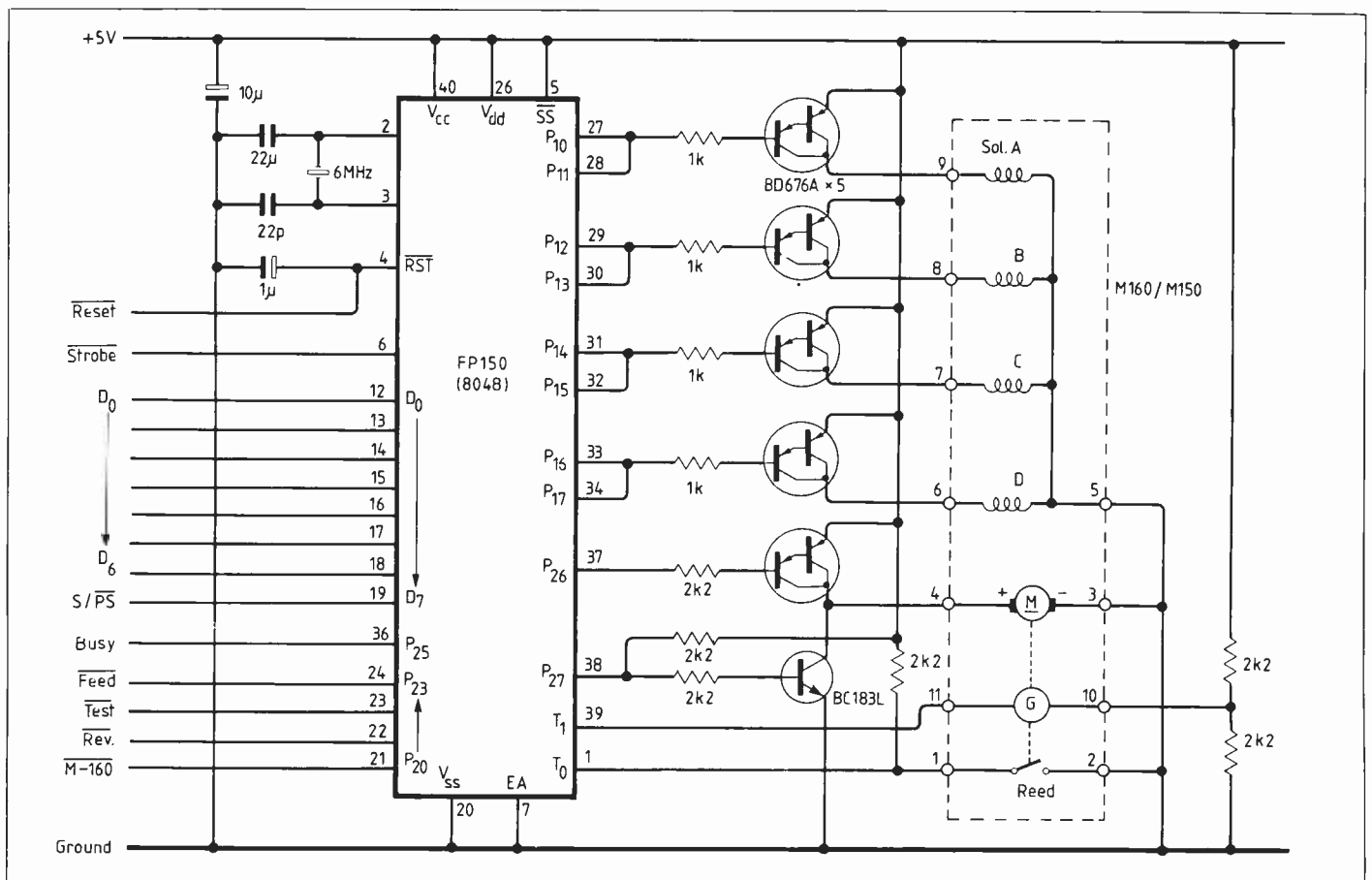
The single-chip controller used as the basis of this article is the Intel 8048, an eight-bit microcomputer with c.p.u., 1K of rom, 64 bytes of ram, and 27 lines in a 40-pin package. Such devices are mask-programmed; that is, the program is built into the chip during manufacture, and cannot be changed. An eprom equivalent, the

Stephen J. Pardoe, B.Sc. (Hons) graduated in Chemistry in 1970, but transferred to Electronics soon after joining Glaxo Laboratories, where he developed a printing checkweigher. He has been involved in the design of printer systems ever since and is now a partner in Friday Partnership and a director of Able Systems of Northwich. He is married with teenage children and enjoys fell walking and high fidelity equipment design.

8748, can be used for development or small-volume manufacture.

The Epson M150/M160 series of miniature dot-matrix printers is unique in several ways. Exceptionally compact, yet printing on plain paper with a 5V supply and very inexpensive, they open up a whole new range of printer applications. It is now feasible to incorporate a printer into low-cost equipment; the M160 is the printer chosen for the new Epson HX20 handheld computer. As it makes little sense to swamp such a small and inexpensive printer with a costly multichip interface, a single-chip controller was programmed to handle data input mechanism control and character generation.

The M150/M160 differ from most matrix printers in having only four printing solenoids, arranged horizontally in a shuttle which moves from side to side, building up characters as a raster of dot rows. A d.c. motor, gears and cams move the shuttle and feed the paper on synchronism; an a.c. tacho and reed switch time



the dot pulses and indicate the start of each dot line. A dynamic brake is required to stop the motor quickly between dot rows.

The M150 prints 16 characters across the 44mm paper, four to each solenoid, the M160 prints 24 across 57mm, six to each. Interface hardware is identical, but the software is slightly different to accommodate the character format. From now on, the two will be referred to as the M150. The full electrical specification would occupy half his magazine, but briefly it is

Solenoids (4): 4.0V d.c. 1.5A 2.5A pk

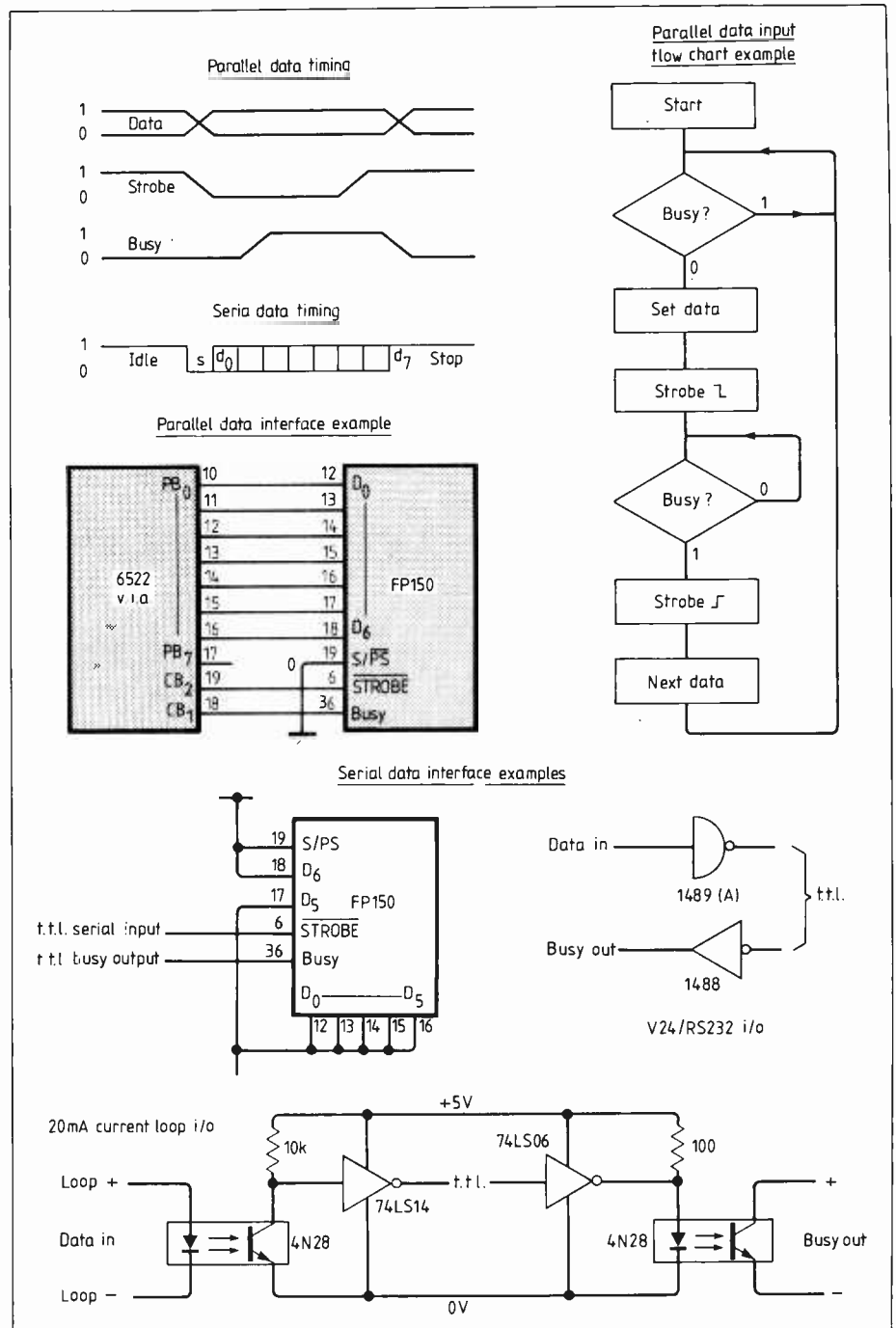
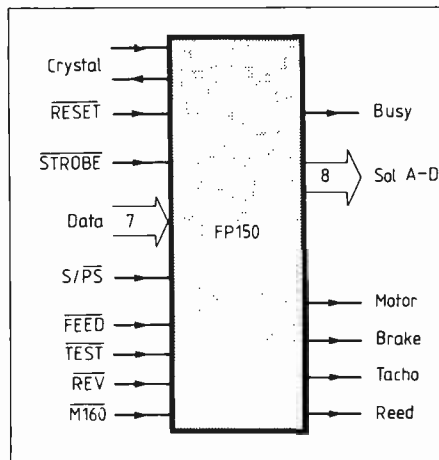
Motor (drive): 4.5V d.c. 0.17A 0.8A pk
(brake): 4.5V d.c. 0.3A

Tacho output: 3V pk-pk

These requirements can be met by very simple circuits, as shown. The solenoid drives are paired as each 8048 output can sink only 1.6mA, whereas 3.2mA I_b is needed to produce a 2.5A I_c from a BD676 device. No flyback diodes are needed, as these rugged Darlingtontons can easily absorb the turn-off spike, and the high instantaneous reverse voltage helps to collapse the solenoid field and makes for crisper printing. The brake circuit effectively shorts out the d.c. motor, which is rapidly brought to rest. Experience has shown that the tacho signal easily drives the 8048 T₁ input if suitably biased: some trimming of the divider may be needed to equalize print density between solenoids.

Data interfaces are provided that are parallel, rather like Centronics practice and designed for connection to the host via a PIA port and serial, following RS232 protocol at 110, 300, 1200 and 2400baud, though at 5V levels. The rate is selected on data 5 & 6, and serial mode selected by taking S/PS high. Four i/o pins are left for local control functions: paper feed, self-test, selection of reversed printing (for use in panel mounting applications), and selection of mechanism (150 or 160).

The FP150 chip accepts ASCII seven-bit data. Control codes select various print formats, including double width and height, and inverted print. It will also print graphics patterns by accepting binary-coded 'characters', again with special control codes. It is then possible to print any dot pattern that can be accommodated in a 96-wide field (144 in the M160).

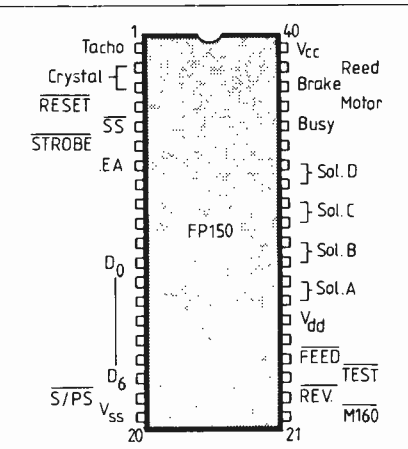


The 8048 program memory area of 1024 bytes is divided into four pages of 256 bytes. The 64-character ASCII set is coded up as 320 bytes, or five per character, in hexadecimal, to give a 5 by 8 character set (the eighth bit is used for underlining and descenders on punctuation marks). The

character generator software 'looks up' these data bytes, and shifts them into the appropriate pattern to form the dot matrix as the print solenoids move across the paper.

Character generation is complicated by the requirement to print in both normal and reversed modes, in single or double width and/or height, and to accept graphics input. In all, 16 printing modes are provided, so all through the character generator conditional jumps hop and skip through the listing to select the functions required. This has led to nearly half the available 1K program being devoted to character formation.

The other major software area is in the data interface. Here the parallel input is straightforward, consisting only of a bus read instruction and testing of the strobe input once that mode is established. The serial input routine is much more complicated: the strobe pin is sampled at intervals determined by the data rate chosen, to build up a replica of the transmitted char-



Frequency control of turntable motors

Many high-quality turntables use a small synchronous motor to drive a heavy turntable platter through a flexible belt. Where mains frequency fluctuates, the speed of the turntable alters. This circuit overcomes the problem by providing a reference frequency independent of the supply.

Synchronous motors achieve their constant speed by locking on to the mains frequency. However there are two main disadvantages: Firstly the wow and flutter performance depends on a constant supply frequency. This is not always met, particularly in my country, New Zealand, where periodic fluctuations, outside the stated limits are evident, presumably due to faults with generator regulation and where frequency is reduced when the grid is under heavy load, compounded by a subsequent speed-up to regulate the time on synchronous clocks. Then secondly, synchronous motors do not allow any convenient method of speed regulation, unlike many direct-drive or d.c. controlled turntables.

Synchronous motors use very little power and can lock on to the supply frequency over a wide range of voltages. Thus it is relatively simple to construct an oscillator that will produce the required frequency signal and then boost the output voltage to the level of the mains by the use

By Peter A. Stockwell

of a power amplifier, which can be small and cost little, and an output transformer.

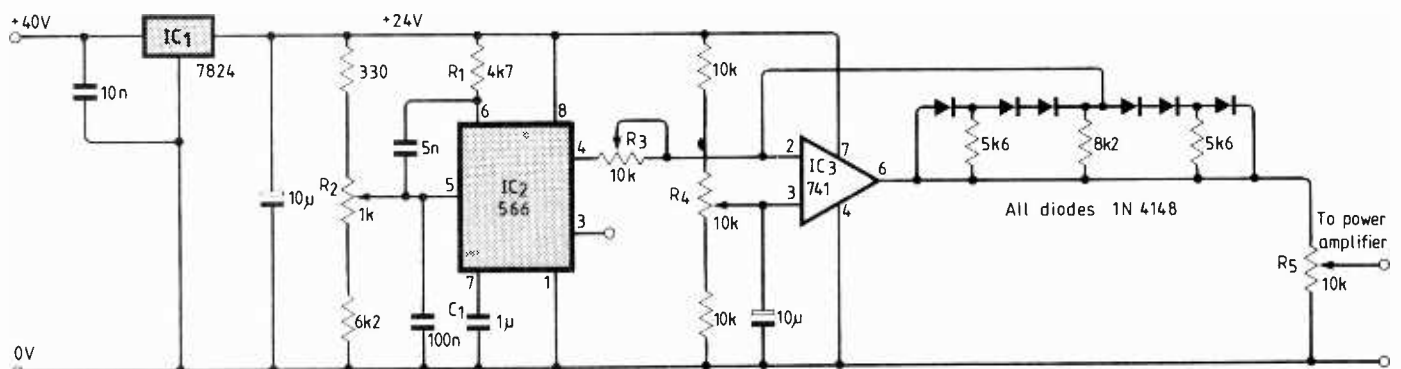
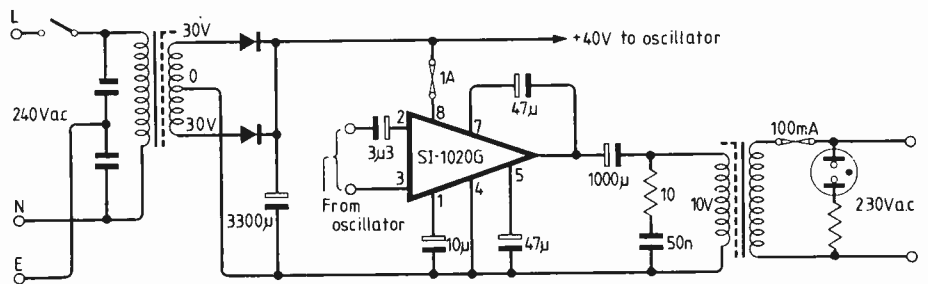
The motor needed a waveform close to a sinusoidal, or it could find difficulty locking on to the frequency and could even run backwards. Waveforms with excessive harmonic content could cause sound to be radiated through the motor and the belt. A Wein bridge oscillator with its inherent sinusoidal output would seem to be ideal, but it needed two resistors to be varied simultaneously to adjust low frequencies. During tests it was found that any mismatch in the tracking caused settling delays which could make the turntable stop and start and run in reverse. Another disadvantage was the ability to find a suitable thermistor to act as a gain control element.

Voltage-controlled oscillators (v.c.os) are an appropriate choice which give a

constant amplitude of the output wave independent of the output frequency. Unfortunately v.c.os give triangular or square waves and these need to be shaped. The circuit shown in Fig. 1 has been devised to do this. IC₂, a 566, is a very stable v.c.o. whose frequency of oscillation is given by; $f_o = 2(V_s - V_c)/R_1 C_1 V_s$, where V_c is the control voltage at pin 5, V_s is the supply voltage and R_1 , C_1 are as indicated in Fig. 1. If V_c is derived from a resistive divider, the ratio V_c to V_s is constant so the frequency should be independent of the supply voltage. The only likely source of drift in the frequency is the temperature coefficient of IC₂ (300 p.p.m/°C), the divider chain, R_1 and C_1 . The use of metal oxide resistors and a high quality potentiometer should help to minimise this. The motor was unable to lock onto high or low extremes of frequency so the resistor chain was selected to restrict the range. The potentiometer I used was a ten-turn Beckman Helitrim. A high quality wire-wound potentiometer was also used

Fig. 2. Sanken hybrid amplifier feeds the signal to a mains transformer used backwards to provide the turntable motor with mains power at the chosen frequency.

Fig. 1. Frequency generator is based on a 566 v.c.o. R_2 is adjusted to give the frequency for the turntable speed for all records including 78r/m. The 741 with its feedback matrix shapes the waveform.



with a changeover switch to select a preset turntable speed.

The 741 has a diode resistor matrix in the feedback loop to convert the triangle wave output of the 566 into an acceptable approach to a sine wave. R_3 and R_4 both control the shape of the output waveform and are most easily set by using an oscilloscope on the output. R_3 controls the shape of the peaks while R_4 controls the positive and negative symmetry. R_5 is set to give the required voltage output to the motor.

Alternative v.c.os, like the Intersil ICL8038, can produce a sinusoidal output directly, but one was not readily available to me. However, by the time that the necessary external components are added, for controlling the symmetry, minimising the distortion etc, it is unlikely that the component count would be much below that for the circuit given.

Power amplifier choice was dictated more by the contents of my junk box than by any particular suitability for the application. However it does work satisfactorily even on the rather low supply voltage (the junk box again!). The output transformer is a small power transformer used backwards. It takes a few watts of power to provide the magnetising current or the core allowing for this, the power



Peter Stockwell holds an honours degree in Biochemistry and is currently involved in the development of computer programs to analyse DNA sequence data at the Biochemistry Department of Otago University. 31 years old, his interests include electronics particularly as applied to high fidelity, music (he plays a pipe organ), and photography.

consumption of the motor with a little headroom must be considered when choosing a suitable amplifier. In addition falling impedance with frequency causes excessive power consumption, though this

may be offset by a capacitor-coupled amplifier since the capacitor impedance increases with falling frequency.

The effects of the series capacitor at low frequencies and of the transformer inductance at higher frequencies mean that output voltage will decrease at higher frequency. The d.c. resistance of the transformer produces some reduction in the output voltage under load. However there is no need for output voltage regulation as the synchronous motor is very tolerant to variations in voltage. The neon across the output provides a simple indicator while the capacitors across the input prevent transients from getting into the mains and hence into the hi-fi system.

Satisfactory performance over several months has been achieved on my Thorens TD-160 turntable. It is suitable for a number of high quality turntables driven by synchronous motors including Linn Sondek, Transcriptors and other Thorens models. One difficulty has been finding a suitable way of measuring the correct turntable speed in order to regulate the output frequency. I used a stroboscopic disc under the mains lighting, but this is far from ideal as the whole point of the circuit is that the mains frequency is not constant. I leave it to the reader to devise the most satisfactory means of setting the speed.

WW

Continued from page 69

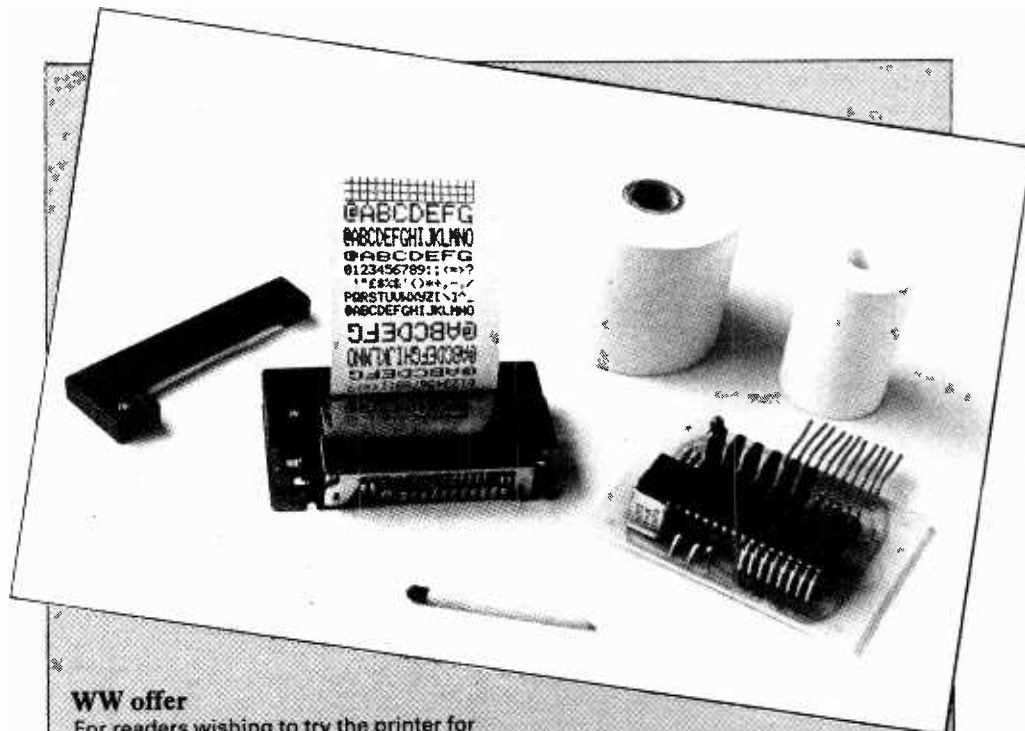
acter in the 8048 accumulator by shifting the carry bit into it.

Once the parallel or serial character is received, the busy line is set high to tell the host not to send more data, and the processor then tests the received character to determine what should be done with it. Control codes are compared with a look-up table, a suitable response being made if a match is found; lower-case codes are arithmetically converted to upper case, and illegal codes discarded. Valid printing characters are stored in a designated area of the 8048 ram. When the ram is full or a line terminating character is received, the printing cycle starts.

The data input and sorting routines occupy about a quarter of the rom; the remaining quarter is taken up by a self-test routine, and various initialisation, timing and housekeeping subroutines. The entire 1K byte of program were written directly in machine code, leading to a very compact program with no wasted space.

Similar design techniques have since been applied to interface controllers for other dot matrix printers, I.c.d. interfaces, and an MSF Rugby clock decoder/display driver, recently featured in WW (New Products, February issue page 83) and the subject of a future article.

WW



WW offer

For readers wishing to try the printer for themselves, Able Systems can supply the following items from stock:

- M150 16-column printer mechanism £20.45
- M160 24-column printer mechanism £27.80
- Kit of p.c.b. FP150 controller chip, mechanism, connector cable, 6MHz crystal and application data £22.10

Paper rolls cost £12 per pack of 20, and spare ribbons £1.80 (M150) and £1.90 (M160). Carriage, packing and insurance costs £5, and vat is at 15%. Able accept payment by Access card or personal cheque at Unit 3, Kingfisher Court, Northwich, Cheshire CW9 7TU. Tel: 0606 48689.

NEW PRODUCTS

COMPUTER GRAPHICS SLIDES

Developed to meet a demand for electronic production of high-quality slides for use in audio-visual presentations, the Dicomed system is both fast and flexible. A wide range of support and commands are at hand, together with an extensive library of images including lines, circles and polygons as well as existing artwork, maps, logos, etc. Composition and balance from a choice of 64 colours can be altered and every element of the design can be moved, enlarged or reduced, replicated or rotated to any angle. Freehand drawing may be entered using a digitizing tablet. Animation is possible with start and end images; the computer can interpose in-between steps.

Designs are stored in digital form on a floppy disc and some 133 designs may be stored on one disc. The designs can be posted on a floppy disc or transmitted by telephone line to be reproduced on the company's slide production equipment. The images are photographed using a high resolution c.r.t. with 4000 lines. Also available is a software package for use with an Apple II microcomputer to allow creation of graphs, pie charts and histograms. Eidographics Ltd, 47 Marylebone Lane, London W1M 5FN. **WW301**

BALL CONTROL

Tracker balls seem to be in competition with mice as computer input devices to plot x-y positions accurately on a v.d.u. Marconi have two controllers to translate the motion of a tracker ball into precise positional control. They can be used to position markers on a display, including radar and are claimed to be fatigue-free when used with interactive graphics displays in the engineering design field.

The protruding ball is in slip-free



WW302



contact with two shafts positioned at right angles. Slotted discs attached to each shaft offer optically detectable motion which is translated by the electronic circuitry. The two basic versions are a rugged 2in diameter ball or a 3in ball. Marconi Electronic Devices Ltd, Doddington Road, Lincoln LN6 0LF. **WW302**

RELAYS WITHOUT TRANSIENTS

Photo-s.c.r. coupling provides transient-free switching as well as 2,500V input-output isolation in the Teledyne SerenDIP, d.i.l. packaged solid-state relays. The maximum measured generated noise is claimed to be less than 15µV at all test frequencies from 0.45 to 30MHz, which makes the relays suitable for computer applications while the high voltage isolation is useful in industrial controls. There are three versions with output voltage ratings of 140, 250 (with 400V peak) and 250 with 600V peak. The 645 range is available from STC Electronic Services, Edinburgh Way, Harlow, Essex. **WW303**

COMPUTING OSCILLOSCOPE

A digital storage oscilloscope waveform analyser, transient signal analyser, spectrum analyser and a data acquisition system are all combined into one instrument, the Analogic Data 6000. Built around a 16-bit microprocessor with an 8MHz internal clock, it has 48K-bytes of rom and 8K-bytes of ram.

The 'scope has been designed for the analysis of transient signals which may occur as digital glitches, or may arise during analysis of transient responses in networks. Other applications are in medical monitoring, wind tunnel, shock and destructive testing equipment. Data can be recorded for up to



WW303

5,000 hours. Analogic Ltd, The Centre, 68 High Street, Weybridge, Surrey. **WW304**

DUAL LOW-PASS FILTER

Suitable for continuously variable-slope detection or speech synthesis, the MC145414 is a dual, tuneable, low-pass filter using switched capacitor techniques. It consists of two fifth-order elliptical filters and includes two extra op-amps for gain adjustment or extra filtering. C-mos circuitry ensures low power consumption from a supply between 10 and 16V. Clock frequency may be varied between 15 and 400kHz to provide cut-off frequencies of 1.25 to 10kHz. Motorola Ltd, Semiconductor Products Division, York House, Empire Way, Wembley, Middlesex HA9 0PR. **WW305**

14-BIT A-TO-D

Claimed to be the first c-mos monolithic analogue-to-digital converter, the Intersil ICL7115 uses thin-film resistors together with an on-chip rom calibration table to give 14-bit linearity without the need for expensive laser trimming. Internally it works with 17 bits with an exponential (1.85) base. It can measure accurately signals up to 118% of full scale. The rom incorporates an error-correction code and therefore does not rely on the accuracy of the resistor ladder in its successive approximation algorithm. The rom is programmed after manufacture

to take into account any measured variations. The circuit may be easily interfaced with microprocessor systems. Reference voltage inputs and signals have separate sense controls so that the device can accept positive signals relative to a positive reference and negative signals with a negative reference level. It operates from ±5V with a power consumption of 60mW. Conversion time is 40µs. Intersil Datel UK Ltd, Belgrave House, Basing View, Basingstoke, Hants. **WW306**

MICRO-TURTLE

A two-wheeled mobile robot which can be controlled by any microcomputer has been developed by Colne Robotics. Movements are controlled through an umbilical cable. The robot has touch sensors and the accompanying software 'teaches' it how to find another route. A retractable pen is attached



WW307

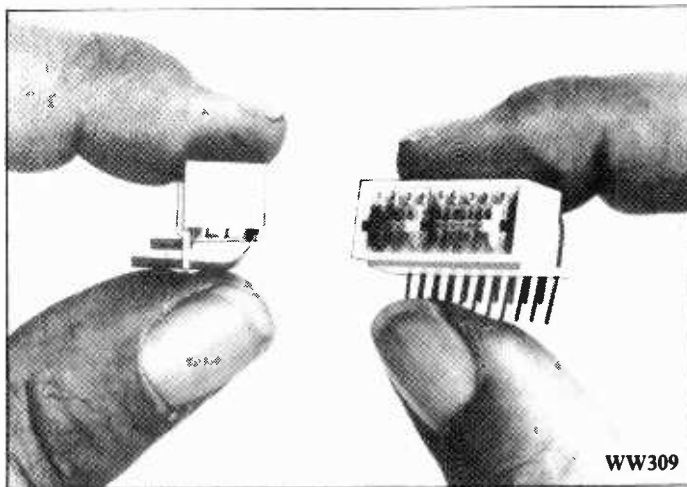
to the underside and allows the machine to draw Logo graphics. The Zeaker Micro-turtle comes complete with interface, power supply, operating manual and software all for £69.50 assembled, or £52.00 in kit form (v.a.t. extra). Colne Robotics Co. Ltd, Beaufort Road, off Richmond Road, Twickenham, Middlesex TW1 2PH. **WW307**

AID FOR THE COLOURBLIND

Component identification by the use of colour codes can lead to hazardous situations if the constructor is colourblind. Difficulty with the difference between red and green is the commonest form of colourblindness and a simple viewer incorporating selected red and green filters can assist in distinguishing between these colours. The makers of Viewbouy claim that, with practice, the severely handicapped can also identify most other colours. J. Holter, 10 Lancot Avenue, Dunstable, Beds LU6 2AW. **WW308**

SPACE-SAVING PCB SWITCHES

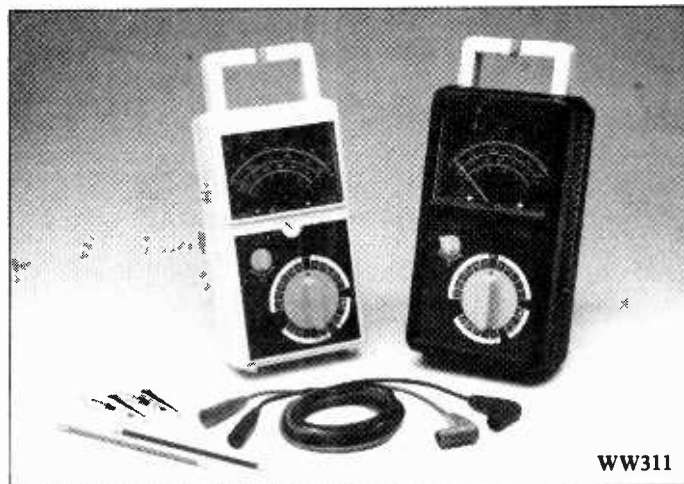
By turning the dual-in-line switch on its side, Erg claim to save 30% of the p.c.b. area taken up by conventional switches. SDOS-10-023 contains ten on/off switches which may be edge-mounted to offer front-panel switching with no additional hardware. Two to 18-way switches, colour-coded and numbered, will be included in the range. Erg Components, Luton Road, Dunstable, Beds LU5 4LJ. WW309



WW309

WIRELESS JOYSTICKS

A single-chip radio transmitter has been incorporated into a tv games joystick to allow the user to zap the space invaders from the comfort of an armchair, without the encumbrance of wires. A receiver is placed next to the games unit (and could be incorporated into it). It decodes the signals sent by the joystick into the same signals that would have been received if the joystick were connected directly, and feeds these through the normal joystick ports into the games computer. The 'serious' application of the joystick control is menu-driven computer programs. The product is the first of a series planned to be expanded to include a wireless computer keyboard. The Wireless Joystick is manufactured in New York by Cynex and marketed in the UK by Dynavest Ltd, 8 Waterloo Place, London SW1Y 4BE. WW310

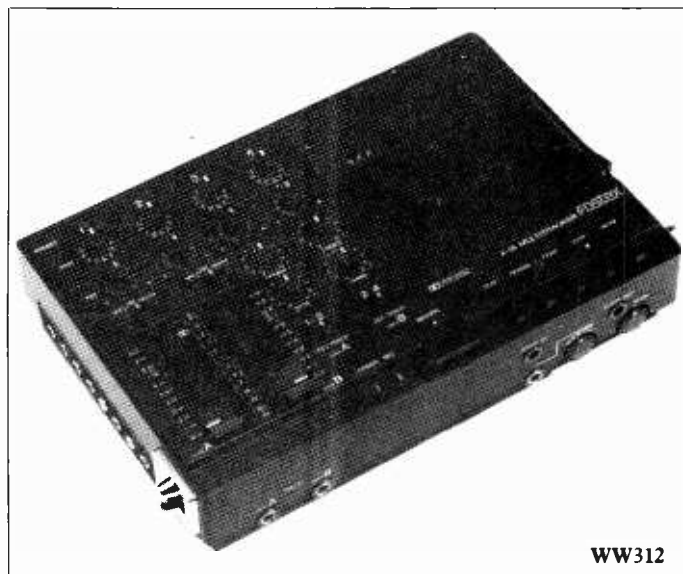


WW311

LOW-COST AVO METER

Despite the digital explosion of multimeters, Avo still have faith in analogue meters and have produced a series of test instruments called the 'analogue toolbag range'. The Avometer 1001 can measure direct and alternating voltages up to 1kV, direct current up to 1A and resistance up to 2M Ω . Sensitivity is 10k Ω /V on d.c. ranges. A continuity buzzer is included. The a.b.s. plastics case features an integral carrying handle which has a slot in it to allow for quick and easy lead stowage. The meter costs £28.50 (trade price) with a heavy duty version with a tougher case for £37.30.

Announced at the same time is a series of Megger insulation testers which no longer have the generator handle on the side as they are battery driven, powered by a 9V



WW312

(PP3) battery. Different models offer test voltages of 500 or 250V with continuity ranges on all models of 0 to 200 Ω and 0 to 2 Ω , the last-mentioned being used to suit the methods laid down by the

IEE wiring regulations. One model has an additional voltage range while others provide intermediate resistance ranges of 1M Ω and 500k Ω . All the meters come complete with test leads, probes

and clips which fit into moulded channels on the back of the case. Thorn EMI Instruments Ltd, Archcliffe Road, Dover, Kent CT17 9EN. WW311

PORTABLE RECORDING STUDIO

A four-track cassette recorder combined with a mixer needs only microphones and monitor headphones to make multi-track recording almost anywhere. The Fostex X-15 Multitracker is battery powered and is little larger than an average cassette deck, yet incorporates many features found normally only in a recording studio. It has equalizer, gain and pan controls for each of the channels which may be used in overdub or mixdown. Punch-in may be remotely controlled and there is $\pm 15\%$ pitch control for tuning or for special effects. Dolby-B noise reduction is incorporated. Manufacturers claim that professional musicians can use the recorder as a 'sketch pad' to prepare a session, much as a Polaroid camera may be used to compose a shot in a photographic studio. The X-15 retails at £299, inclusive. Bandive Ltd, Brent View Road, London NW9 9EL. WW312

ELECTRONIC OFFICE FROM BT

Word processors and computers with an accent on telecommunications are now being marketed by British Telecom. The Merlin range of business systems starts with the M1100 communicating v.d.u. terminal which may be used to access Prestel or data banks and can be used for electronic mail with automatic dialling.

The M2226 business computer has 256K memory internally with 5Mbyte Winchester disc and 800Kbytes on floppy disc. It can operate with CP/M and therefore has access to a wide range of software; BT have added their own MerlinMaster software interface to make the whole system easy to use.

In addition there is the M3300 word processor which has two floppy-disc drives and a daisy-wheel printer. Both the computers can have auto-dial modems, can be linked to teleprinters and have full access to teletex and telex services. There is a range of peripherals and software launched at the same time. British Telecom Merlin, Room 2028 Howland Street, London W1P 6HQ. WW313

RANDOM ECHOES

By Chirp

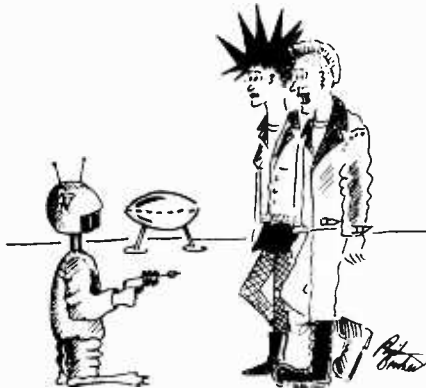
INFORMATION THEORY

There are many ways of gathering information. We all know the trials of formal study to pass exams or for more immediate and practical reasons. But, in general life, we gather most of our knowledge by piecing together fragments picked up in random conversations. Sometimes it is the experts talking but more often it's just ordinary folk.

Moreover, the breadth of experience revealed in the most casual conversation is often quite surprising. There was that painter, for example, in the next office boasting to his mate about the marvellous television reception in Croydon – "... and all we had was one of those two-pronged indoor aerials that stand on the set like a Martian's helmet".

Then our cleaning lady was telling me about her young son, who came in wearing blue sun glasses. As he is only about four feet high and has red hair, she told me, those glasses made him look just like a Martian.

Weeks later, on a very wet morning our dedicated cyclist, Jimmy, arrived dripping with rain, clad in waterproof leggings and a pale blue plastic cape. Kathy, our office girl, gasped with astonishment. "... in those yellow trousers and blue top, I thought you were a Martian!"



'Kids! They'll do anything to get 'emselves noticed.

So I have discovered that a Martian is about four feet high, has red hair, wears blue spectacles, yellow trousers and a blue top, and protects his head with a two-pronged helmet. Actually, most of the Martians around our way are much taller with tight blue jeans and multicoloured Red Indian haircuts.

WORDS AND MUSIC MAESTRO

I have just been watching that programme on television about the British Leyland Maestro, and the way in which the more superior versions feature an audio readout of certain dashboard information. Do we call this a speakout? It is quite a status feature, and rather upstages such refine-

ments as electric windows or remotely controlled door mirrors.

The only demonstration of the speakout was the rather bossy synthesized feminine voice telling the driver to fasten his seat belt. But I understood from the report that the thing is programmed to blurt out information when an alarm situation occurs; e.g., "we're nearly out of petrol!" I suppose it also draws attention to the engine overheating, very low oil pressure or lack of brake fluid. I wonder if it mentions tyre pressure – that is the one we usually forget.

In the report that I heard, the only microcomputer mentioned was the one that controls the engine, but you may be sure that the speakout system depends on at least one of these devices. No modern electronic system amounts to much without one. So we are naturally led to speculate on the conversational ability of the car of the future as more-and-more data processing power is compressed into smaller-and-smaller devices.

I read quite recently about a Japanese heavy-goods vehicle with solid-state television cameras mounted at "blind" locations on the truck body, with a c.r.t. in the cab to augment the conventional rear-view mirrors. There are already computer programmes for interpretation of signals and tv cameras into exact information for machine-tool control, etc., so who knows what the future may bring.

With the general trend towards the use of high technology for totally frivolous purposes, it is possible that the techniques mentioned will one day be combined to enable the car to utter those helpful comments currently made by one's passengers; e.g., "all clear left . . . if you're quick", or "that's a police car you're overtaking".

Such technical developments could ultimately do away with the need for passengers altogether; we could have quite chatty cars to keep us company on long journeys; and there may even be the optional electronic "hitch-hiker" which gives an authentic account of all the lifts he's ever thumbed while you are trying to listen to the test match commentary on Radio 3.

MORE TALKING MOTOR CARS

It seems that BL have started a trend with the talking Maestro. I have just read a report in the Financial Times about a new experimental car by the Japanese Nissan Company, which not only talks to the driver but also responds to spoken commands.

It has a voice dialogue system which enables the driver to ask for such things as lights to be switched on and wing mirrors adjusted. Have you ever tried to adjust a wing mirror for a friend in response to his spoken instructions? "... up a bit – no,

not too far – now a bit to the left – etc." Its very difficult and always leads to bad feeling. Now imagine trying to instruct a stupid computer – in Japanese.

And that's only the beginning. This car also has a drowsiness monitor, which measures brainwave patterns and can tell if the driver is becoming tired. If he begins to fall asleep a flashing light and a buzzer operate, and the computer will eventually ask him to rest. With all these distractions it may, of course, be already too late; he may be resting permanently.

But he will not have driven into the back of the vehicle ahead, because this car is fitted with a radar which measures the distance to the vehicle in front, and if the gap becomes too small for any given speed the car is slowed until a safety distance is restored. Very useful in fog, but if it fails does it fail-safe? . . . and does fail-safe mean fail with the brakes on?

A SHOW BY ANY OTHER NAME

I see they are holding IFSSEC at Olympia as usual this year; and then there is HEVAC at the Barbican Centre a week or so later.

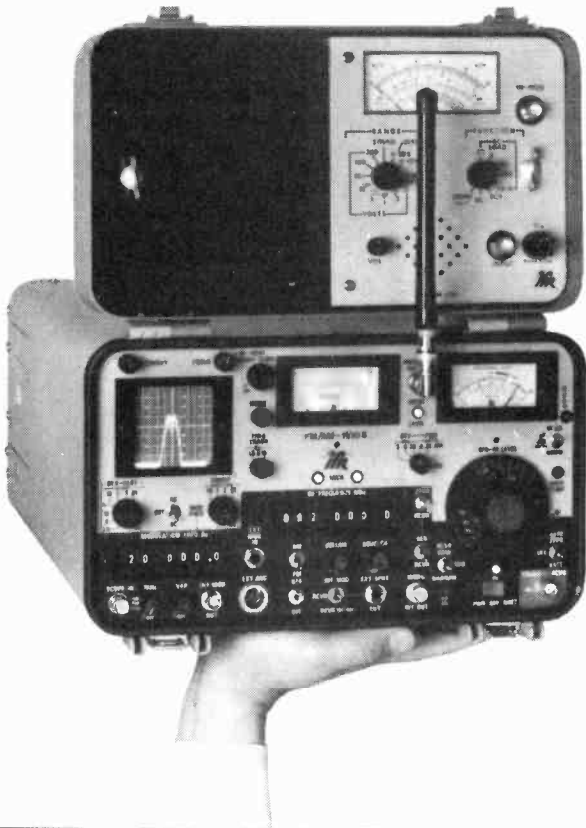
Of course, they are names of exhibitions. The first is the International Fire, Security and Safety Exhibition and Conference – not surprising that it is abbreviated to initials – and the second is the Heating, Ventilating and Air Conditioning Show. But only a cypher expert would find it easy to work out what is going on at these exhibitions from the title alone.

Some almost seem to be deliberately misleading. How about CONTEXT? Something to do with printing you may think, or some other form of self-expression. No, it's the co-ordinated Furnishing Exhibition at Earls Court. Then there is TECTRONICA – not an exhibition of oscilloscopes but an international show for the life and physical sciences. POWTECH has nothing to do with turbo-generators or enormous high-fi amplifiers – it is all about powder and bulk solids.

Of course there are many exhibitions where the title is fully appropriate, so that one can guess what the show is all about immediately. There is ELECTRONICA in Munich, SHOPPEX in London, TESTMEX and TEST at Wembley; but, familiar though it may be, I have never worked out the meaning of INTERNETCON and, judging by the variety of types of exhibit, I doubt if anyone else has either.

However, for the most appropriate exhibition name the prize must go the Farmers' Waste Management Exhibition at Stoneleigh. They call it MUCK – a show by any other name would smell as sweet?

Testing...Testing...Testing anywhere!



**FM/AM 1100S
with Spectrum Analyser.**
The most sophisticated portable
Communications Service Monitor
from IFR, with an unrivalled
versatility of integrated functions.

For a practical demonstration to prove our point contact:
Mike Dawson on 01-897 6446.



**Fieldtech
Heathrow**

Fieldtech Heathrow Limited
Huntavia House 420 Bath Road
Longford Middlesex UB7 0LL
Telex: 23734 FLDTEC G

WW - 058 FOR FURTHER DETAILS

**Richardson Electronics
(Europe) Ltd.**

A WORLD LEADING DISTRIBUTOR AND MANUFACTURER

**Electron
Tubes**

**R.F. Power
Transistors**

STOCKISTS OR
EQUIVALENTS FOR

AMPEREX - AMPERITE
BURROUGHS - CETRON
CTC - Du MONT - EIMAC
ELECTRONS
GENERAL ELECTRIC
GENALEX - ITT
LITTON - MACHLETT
MULLARD
NATIONAL
OMNI WAVE
R.C.A. - RAYTHEON
STC - SIEMENS
SYLVANIA
TELEFUNKEN
THERMOSEN
TUNGSOL - VARIAN
VICTOREEN
WESTINGHOUSE

STOCKISTS
OR
EQUIVALENTS
FOR

MOTOROLA
GENERAL ELECTRIC
R.C.A.
JOHNSON
AEROTRON
QUINTRON
REGENCY
WILSON
T.R.W.
MSC
ACRIAN
TOSHIBA
NEC
MITSUBISHI
PHILIPS
AMPEREX

CATALOGUES AVAILABLE FOR:- ELECTRON TUBES, RF TRANSISTORS, READOUT TUBES, POWER SEMICONDUCTORS, CAMERA TUBES

Dean Road Outer Circle Road Industrial Estate Lincoln England LN2 4DV Telephone: 0522-42631 Telex: 56175 REEL UK

WW - 065 FOR FURTHER DETAILS

A COMPETITION OPEN TO ALL WIRELESS WORLD READERS WITH £8000 IN CASH PRIZES

Design an Electronic Device to help the Disabled

Could you design a piece of equipment to help a disabled person? If so, you would — in addition to undertaking this worthy task — be eligible to win a substantial cash prize.

Our competition is open to individuals or groups resident in the UK. You register your entry using the form below, sending it to the Editor to arrive at his office not later than June 30th 1983. The designs themselves must be submitted to his office by 1st October 1983.

Entries, which will be judged by a group of eminent engineers and doctors, must consist of the following: - a statement of the design objectives; an overall description of the device; detailed circuit descriptions and diagrams; a model of the device or a model of a unique aspect of the design sufficient to demonstrate its feasibility.

The finalists will be invited to London to talk over their entries with the judges and be awarded their prizes. The prizes are:

1st prize £2,500
2nd prize £1,500

and the 4 runners up will be awarded prizes each of
£1,000

To make sure you have the maximum time to undertake your design, return your entry form now!

"DESIGN AN ELECTRONIC DEVICE TO HELP THE DISABLED" LIST OF RULES

1. The competition is open to U.K. residents only.
2. Entrants can be individuals or groups.
3. All participants must register their interest in entering the competition on the form provided which must be returned to the Wireless World Editorial Department by the 30th June 1983.
4. All entrants agree to give Wireless World first serial publication rights to an article describing the entry.
5. All entrants indemnify Wireless World from any liability in respect of injury to people or damage to property arising from the use of the design.
6. All submitted designs must be the original work of the entrant or entrants and must not infringe the rights of third parties in anyway.
7. All submissions should consist of:
 - a) A statement of design objectives
 - b) An overall description of the device
 - c) Detailed circuit descriptions and diagrams
 - d) A model of the device or the unique aspect of the design sufficient to demonstrate its feasibility.
8. The design will be judged on:
 - a) Originality and benefit to the handicapped
 - b) Potential for production
 - c) Elegance of engineering design
 - d) Electronics content
 - e) Design reliability
 - f) Simplicity of operation
 - g) Freedom from excessive maintenance
 - h) Safety.
9. Software only solutions are not accepted.
10. The judges' decision is final.
11. All designs must be submitted to the Wireless World Editor by the 1st October 1983.
12. Shortlisted entrants must be prepared to travel to a venue in London sometime during November and December 1983 to demonstrate their design. All costs will be paid by the journal.
13. Employees of Business Press International are not allowed to enter this competition.

wireless
world

COMPETITION
ENTRY FORM

"Design an electronic device to help the disabled"

Name of competitor _____

Address _____

Telephone (home) _____

(business) _____

I intend to enter the competition and to abide by the rules as laid down in the July 1983 issue of Wireless World.

I understand that, in order to qualify, my entry must be in the hands of the judges by 1st October, 1983

Signature _____

Date _____

Please send this form, as soon as possible, to:

The Editor, WIRELESS WORLD
Room L302, Quadrant House, The Quadrant
Sutton, Surrey SM2 5AS.

Receipt of the form will be acknowledged.

GET THE COMPLETE PICTURE

AT YOUR NEWSAGENT DURING JULY — OR DIRECT

The New Catalogue from the industry's 'DISTRIBUTOR OF THE YEAR!'

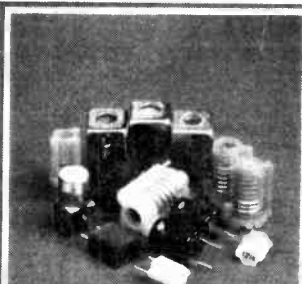
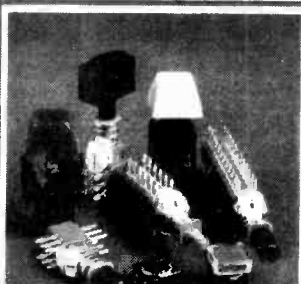
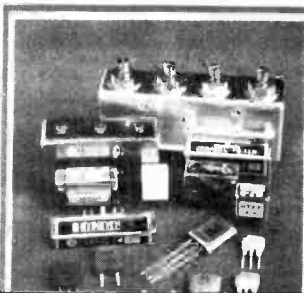
★ STILL THE ONLY CATALOGUE FOR THE COMPLETE RANGE OF COMPONENTS. BATTERIES, CRYSTAL FILTERS, RF POWER, MOSFET, TOKO COILS, CHOKES, ALPS PLOTTERS, SOLENOID CASSETTE MECHS ETC.

SUMMER '83

COMPONENTS FOR ELECTRONICS, COMMUNICATIONS & COMPUTING

ambit[®]
INTERNATIONAL

WORLD OF RADIO & ELECTRONICS
— CATALOGUE —



3x£1 DISCOUNT VOUCHERS
144 PAGES
80p

★ FIRST WITH ON-LINE COMPUTER SHOPPING —

★ FIRST FOR INNOVATION

★ FIRST FOR VALUE

★ FIRST FOR CHOICE

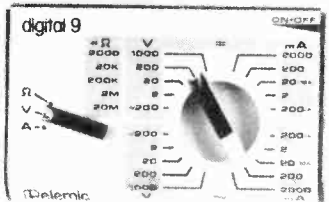
★ FIRST FOR SERVICE

ambit[®] INTERNATIONAL

200 North Service Road, Brentwood, Essex CM14 4SG
Tel: (Consumer Sales/Enquiries) 0277-230909.
Tel: (Industrial Sales/Enquiries) 0277-231616.
Tlx: 995194 AMBIT G. Data 24hrs (RS232/300 baud) 0277-232628.

WW - 048 FOR FURTHER DETAILS

LOW COST PROFESSIONAL TEST INSTRUMENTS



- ★ FREQUENCY COUNTERS
- ★ ANALOGUE METERS
- ★ DIGITAL METERS
- ★ FUNCTION GEN
- ★ OSCILLOSCOPES
- ★ POWER SUPPLIES
- ★ LOGIC PROBE
- ★ SCOPE PROBES



Write or phone for illustrated Test Instrument catalogue and price list.

BLACK STAR LTD.
9A, Crown Street, St. Ives,
Huntingdon, Cambs. PE17 4EB.
Tel: (0480) 62440 Telex: 32339



WW - 011 FOR FURTHER DETAILS

IN VIEW OF THE EXTREMELY RAPID CHANGE TAKING PLACE IN THE ELECTRONICS INDUSTRY, LARGE QUANTITIES OF COMPONENTS BECOME REDUNDANT. WE ARE CASH PURCHASERS OF SUCH MATERIALS AND WOULD APPRECIATE A TELEPHONE CALL OR A LIST IF AVAILABLE. WE PAY TOP PRICES AND COLLECT.

BROADFIELDS & MAYCO DISPOSALS

21 Lodge Lane, N. Finchley, London, N.12. 5 mins. from Tally Ho corner
Telephone 445 2713/0749

WW - 024 FOR FURTHER DETAILS

RADFORD

Audio Measuring Instruments, Audio Amplifiers, Loudspeakers and Loudspeaker Components for the professional and enthusiast

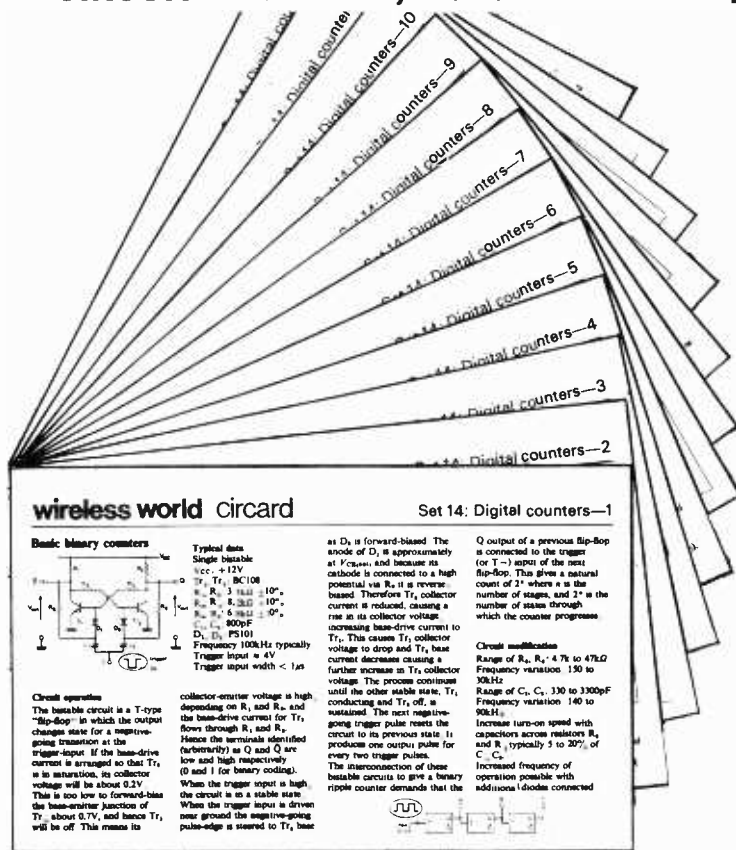
RADFORD AUDIO LTD.

10 BEACH ROAD
WESTON-S-MARE, AVON BS23 2AU
TEL. 0934 416033

WW - 037 FOR FURTHER DETAILS

MARK 1983 WITH GAPS IN CIRCUIT FILES WELL-PLUGGED

WIRELESS WORLD CIRCARDS last year benefited many 'new generation' readers who bought at 1976 bargain prices + 10% discount for 10 sets!
Most sets are still available although companion volumes
CIRCUIT DESIGNS 1, 2 and 3 are out of print (CIRCARDS sets 1 to 30).



The Offer stands, so order now your sets of 127 x 204mm cards in plastic wallets. These unique circuit cards normally contain descriptions and performance data of 10 tested circuits, together with ideas for modifying them to suit special needs.

- 1 Basic Active filters 2 Switching Circuits, comparators and Schmitts (But these gaps cannot be filled) *
 6 Constant current circuits 7 Power amplifiers 8 Astable circuits 9 Optoelectronics 10 Micro power circuits 11 Basic logic gates 12 Wideband amplifiers 13 Alarm circuits 14 Digital Counters 15 Pulse modulators 16 Current differencing amplifiers – signal processing 17 Current differencing amplifiers – signal generation 18 Current differencing amplifiers – measurement and detection 19 Monostable circuits 20 Transistor pairs 21 Voltage-to-frequency converters 22 Amplitude modulation and detection 23 Reference circuits 24 Voltage regulators 25 RC oscillators – 1 26 RC oscillators – 2 27 Linear cmos – 1 28 Linear cmos – 2 29 Analogue multipliers 30 Rms/log/power laws 31 Digital multipliers 32 Transistor arrays 33 Differential and bridge amplifiers 34 Analogue gate applications – 1 35 Analogue gate applications – 2.
- *Photocopies only: 3 Waveform generators 4A.C. measurement 5 Audio circuits @ £3.20 each set.

**To Electrical-Electronic Press
 General Sales Department
 Room 108
 Quadrant House
 Sutton
 Surrey SM2 5AS**

**Company Registered Number: 151537 (ENGLAND).
 Registered Office: Quadrant House, The Quadrant
 Sutton, Surrey SM2 5AS**

Please send me the following sets of
 Circards.....£2 each,
 £18 for 10 post free.
 Remittance enclosed payable
 to BUSINESS PRESS INTERNATIONAL LIMITED
 Name (Please print)
 Address (Please print).....

pantechnic

**THE POWERFET
SPECIALISTS**

POWERFET AMPLIFIER MODULES

MODEL	POWER RANGE (Continuous RMS)	TYPICAL LOADS	PRICES (one off)
PFA 100	50W-150W	4Ω, 8Ω	£20.65
PFA 200	100W-300W	4Ω, 8Ω	£27.35
PFA 500	250W-600W	2Ω, 4Ω, 8Ω	£42.00
PFA HV	200W-300W	4Ω, 8Ω, 16Ω	£36.04

Key features:

- **RELIABLE** – Powerfet freedom from thermal runaway and secondary breakdown
- **LINEAR** – TID zero, IM/THD < 0.01% full power (mid-band THD down to 0.0015%)
- **FAST** – Slew rate > 30V/μS (45V/μS typical)
- **QUIET** – Signal to noise ratio 120dB
- **BRIDGEABLE** – Without extra circuitry
- **STABLE** – Unconditionally
- **LOW COST** – 10 watts to 20 watts per £, depending on model and quantity

As they stand these modules suit most P.A. and industrial applications and satisfy all foreseeable audiophile requirements. (The HV is aimed at digital audio.) Where aspects of performance fail to meet specific requirements (e.g. in speed or power) low-cost customising is often a possibility. Alternatively entirely new boards can be produced.

ALSO –

- PAN 20 – Ultra-low-noise/distortion, mono preamp board, £7.61
- PAX 2/24 – 2-way active crossover board (24dB/octave) plus regulators, £9.70
- THE HEAT EXCHANGER – New, super-efficient heatsink; handles 300W or 1.2kW when blown; 7in. x 4in. x 2¼in., £7.50

This is just a fraction of the new products available from Pantechnic – check us out!

Prices exclude V.A.T.

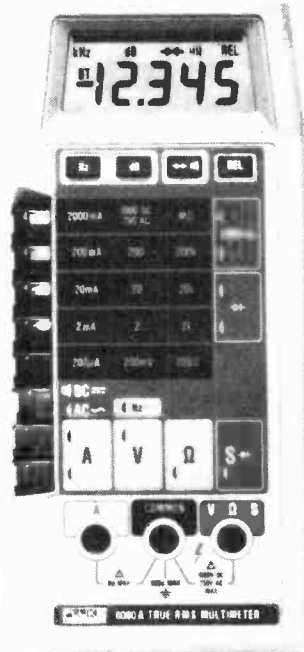
Carriage 75p

Price and Delivery
PANTECHNIC (Dept. WW7)
 17A WOOLTON STREET
 LIVERPOOL L25 5NH
 Tel: 051-428 8485

Technical Enquiries
 contact
 Phil Rimmer
 on
 01-900 6667

WW061 – FOR FURTHER DETAILS

“Instruments for Industry”



FLUKE
**Multimeters
 EX-STOCK from
 ANDERS**

This superb range of hand-held and bench multimeters offers a unique choice of 3½ or 4½ digit specifications and features. Engineering excellence at competitive prices with numerous supporting accessories to suit design, production and service needs. Now available ex-stock from one of the U.K.'s most experienced electrical measurement specialists. The complete range of Anders instruments and panel meters

is described in the “Instruments for Industry” catalogue.

For your personal copy contact:



ANDERS ELECTRONICS LIMITED
 48-56 Bayham Place
 London NW1 0EU
 Tel: 01-387 9092. Telex: 27364

WW – 047 FOR FURTHER DETAILS

OPUS SUPPLIES

SUMMER SAVERS

LOOK

**VIEWDATA
TERMINALS**

**SCOOP
OFFER**

DISC DRIVE DISCOUNTS

Now that we have moved to larger premises we have the space to store these superb units and can offer them to “Wireless World” readers at this fantastic price. These superb terminals built to industrial specification by a world-famous manufacturer feature: – * Prestel * Built-in modem receive at 1200 baud/transmit at 75 baud * G.P.O. approved * 7” green anti-reflective screen * Angled display for desktop viewing * Page format 24 lines/40 characters * Security lock – authorised personnel only * Slimline dimensions – depth 14.1 inches, width 11.9 inches, height 7.6 inches * Attractive beige case with black trim *

- FD 514 – 8in. S/S D/D DRIVE FORMATTED 600KBYTE £149
- * FD 650 – 8in. D/S D/D DRIVE FORMATTED 1.2 MBYTE £199
- * CASE TO HOLD TWO DRIVES WITH COSSOR POWER SUPPLY FAN AND CARRYING HANDLES – BRAND NEW – ONLY £99.95

A Special Purchase allows us to offer a limited quantity of these items at this remarkable price. The drives are manufactured by Pertec – are Shugart compatible and have a 90-day warranty.

LIMITED QUANTITY AVAILABLE ONLY **£199** BRAND NEW AND BOXED + CARR & VAT

14” RGB COLOUR MONITOR

Stop Press – Brand new, fully cased manufactured by JVC Medium Resolution **£199** High Resolution **£299** Please ring for further details/spec. sheet

TEAC DISC DRIVES

- TEAC 55F 5¼” D/S 80 Track. Formatted Single Density 400K, ONLY **£229**
- Case with built-in power supply to hold 2 drives, ONLY **£39.95**; if case purchased without drive, **£45**
- Ribbon Lead, **£12**; Power Lead, **£5**
- Ideal for use with BBC Micro
- Slimline – latest technology
- Low-power consumption
- Full warranty

JUST ARRIVED!

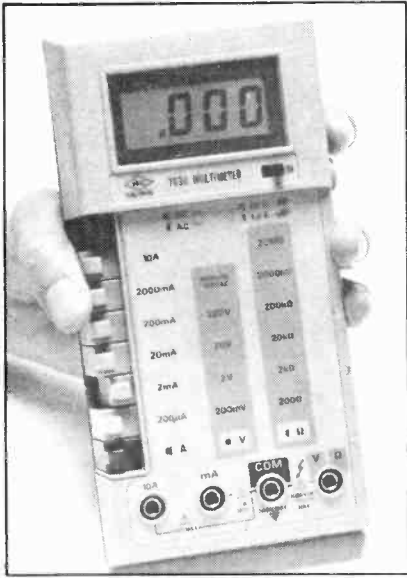
12” Green Screen Monitor
1 Year Warranty
Video Response 18MHz
Composite Video/Phone Connector to Computer
★ **ONLY £69.95** ★

TO ORDER ADD CARRIAGE AT £7 PER UNIT AND VAT @15% AND SEND YOUR ORDER TO:
OPUS SUPPLIES, 158 CAMBERWELL ROAD, LONDON SE5 0EE
TELEPHONE 01-701 8668/9 OR 01-703 6155/6/7
GOVT, EDUCATIONAL AND OFFICIAL ORDERS WELCOME



WW – 054 FOR FURTHER DETAILS

TWO NEW HANDHELD DIGITAL MULTIMETERS



MODEL 6010
DC ACCURACY 0.5%
£29.95
PLUS VAT = £34.44

MODEL 7030
DC ACCURACY 0.1%
£35.95
PLUS VAT = £41.34

200µA – 10 AMP AC-DC

28 RANGES EACH WITH FULL OVERLOAD PROTECTION

SPECIFICATION

- Mode select: Push button
- AC DC current: 200µA to 10A – 6 Ranges
- AC voltage: 200mV to 750V – 5 Ranges
- DC voltage: 200mV to 1000V – 5 Ranges
- Resistance: 200Ω to 20MΩ – 6 Ranges
- Input impedance: 10MΩ
- Display: 3½ Digit 13mm LCD
- Overload protection: All ranges
- Battery: Single PP9 type (included)
- Battery life: 200 hours
- Dimensions: 170 × 89 × 38mm
- Weight: 400g inc battery

OTHER FEATURES:

Auto polarity, auto zero, battery-low indicator, ABS plastic case with tilt stand, battery and test leads, spare fuse and operators manual included. Optional carrying case.

AFDEC 318 Kempshott Lane, Basingstoke
Hants RG22 5LT
ELECTRONICS LTD

I wish to order the following.

Quantity	Item	Amount
	Model 6010 @ £34.44 inc.	
	Model 7030 @ £41.34 inc.	
	Carrying Case @ £2.00 inc.	
TOTAL		

All prices include VAT and post and packaging. All items include a full year guarantee. Allow up to 10 days for delivery. Cheques/Postal Orders etc. should be made payable to: AFDEC Electronics Ltd.

Name _____

Address _____

Overseas customers add £4.00 post and packaging.

ww7

PM COMPONENTS LTD VALVE & COMPONENTS SPECIALISTS

INTEGRATED CIRCUITS

AN124	2.50
AN214Q	2.50
AN240P	2.80
AN612	2.15
AN7150	2.95
BA521	3.35
ETTF6016	1.75
HA1366W	1.95
HA1551	2.95
LA1230	1.15
LA4031P	2.70
LA4102	2.95
LA4400	4.15
LA4422	2.50
LC7120	3.25
LC7130	3.50
LC7131	5.50
LC7137	5.50
LM566CH	0.95
LM324N	0.45
LM380N	0.95
LM383T	2.95
LM390N	1.95
MS1513L	2.30
MS1515L	2.95
MS1521L	1.50
MB3712	2.00
MC1307P	1.00
MC1310P	1.50
MC127	0.95
MC1327O	0.95
MC1330P	0.76
MC1349P	1.20
MC1350P	0.95
MC1351P	1.50
MC1352P	1.25
MC1357	2.35
MC1358	1.58
MC1495	3.00
MC1496	1.25
MC14011BCP	0.32
MC145106P	
MC1723	7.95
MC3357	2.25
ML231B	1.75
ML232B	1.75
ML237B	1.95
ML238B	4.20
MS2020	4.12
MSM5807	6.75
SAS5705	1.75
SAS580	2.85
SL901B	4.85
SL917B	6.65
SL1310	1.80
SL1321	1.10
SL1327O	1.10
SN76003N	1.95
SN76013N	1.95
SN76013ND	
SN76023N	1.65
SN76033N	1.65
SN76110N	0.89
SN76131N	1.30
SN76226ND	1.55
SN76227N	1.05
SN76532N	1.40
SN76544N	1.65
SN76650N	1.15
SN76660N	0.80
SN76666N	0.70

TA7061AP	3.95
TA7108P	1.00
TA7120P	1.65
TA7130P	1.50
TA7146	2.95
TA7203	2.95
TA7204P	2.15
TA7205AP	1.50
TA7222AP	1.80
TA7227P	4.25
TA7310P	1.80
TA7313AP	2.95
TA7321P	2.25
TA7611AP	2.95
TAA550	0.25
TAA570	1.95
TAA661B	1.20
TAA700	1.70
TAA6305	3.50
TAA7321P	0.95
TBA120S	0.70
TBA120SA	0.70
TBA120SQ	0.70
TBA120T	1.00
TBA231	1.25
TBA395	1.50
TBA396	0.75
TBA440N	2.55
TBA480Q	1.25
TBA540	2.50
TBA5100	1.20
TBA520Q	1.10
TBA530	1.10
TBA530Q	1.10
TBA530T	1.10
TBA540Q	1.35
TBA550Q	1.45
TBA560C	1.45
TBA560CO	1.45
TBA570	1.00

TBA641A12	2.50
TBA641BX1	3.00
TBA651	1.75
TBA720A	3.00
TBA7500	2.65
TBA800	0.89
TBA810AS	1.35
TBA820Q	1.45
TBA890	2.50
TBA900	1.65
TBA920Q	1.65
TBA950	2.35
TBA950/2X	2.35
TBA990	1.49
TBA990Q	1.49
TBA1441	2.15
TCA270	1.10
TCA270SQ	1.10
TCA650	2.50
TCA800	2.15
TCA830S	1.40
TCA940	1.65
TDA440	2.20
IDA1001	2.50
TDA1004A	2.20
TDA1006A	2.50
TDA1010	2.15
TDA1035	2.50
TDA1037	1.95
TDA1170	1.95
TDA1170S	1.95
TDA1190	2.15
TDA1270Q	3.95
TDA1327	1.70
TDA13628	1.43
TDA1412	0.85
TDA2002	1.95
TDA2020	2.45
TDA2030	2.80
TDA2522	1.95

TDA2523	1.95
TDA2524	1.95
TDA2530	1.95
TDA2532	1.95
TDA2540	1.25
TDA2541	2.15
TDA2560	2.15
TDA2581	2.25
TDA2590	2.95
TDA2591	2.95
TDA2593	2.95
TDA2600	3.50
TDA2610	2.50
TDA2611A	1.95
TDA2640	2.60
TDA2690	1.35
TDA3560	3.95
TDA3950	1.95
UPC256H	2.95
UPC256C	2.75
UPC1001H	2.50
UPC1025H	2.50
UPC1028H	1.95
UPC1156H	2.75
UPC1167C	
UPC1181H	1.25
UPC1182H	2.95
UPC1185H	3.95
UPC1350C	2.95
UPC2002H	1.95
ZTK33B	0.50
555	0.35
556	0.42
723	0.35
741	0.75
747	0.35
748	0.35
4042	5.00
7805	0.60

SEMICONDUCTORS

AA12	0.25
AC126	0.22
AC127	0.20
AC128	0.20
AC128K	0.32
AC141	0.28
AC141K	0.34
AC142K	0.30
AC176	0.22
AC176K	0.31
AC187	0.25
AC187K	0.28
AC188	0.25
AC188K	0.27
AD142	0.29
AD143	0.82
AD149	0.70
AD161	0.39
AD162	0.39
AD162/1	0.90
AF115	0.75
AF124	0.34
AF125	0.35
AF126	0.32
AF127	0.32
AF129	0.42
AF150	0.42
AF239	0.42
AU106	2.00
AU107	1.75
AU110	2.00
AU113	2.95
BC107A	0.11
BC107B	0.11
BC108	0.10
BC108A	0.11
BC108B	0.12
BC109	0.19
BC109B	0.12
BC109C	0.12
BC114	0.11
BC116A	0.15
BC117	0.19
BC119	0.19
BC125	0.25
BC139	0.20
BC140	0.31
BC141	0.25
BC142	0.21
BC143	0.24
BC147	0.09
BC147B	0.09
BC148A	0.09
BC148B	0.09
BC149	0.09
BC157	0.12
BC158	0.09
BC159	0.09
BC160	0.28
BC161	0.28
BC171	0.09
BC171A	0.10
BC171B	0.10
BC172	0.10
BC172B	0.10
BC172C	0.10
BC173B	0.10
BC174	0.09
BC174A	0.09
BC177	0.15
BC178	0.15
BC182	0.10
BC182LB	0.10
BC183	0.10
BC183L	0.09
BC184LB	0.09
BC204	0.10
BC207B	0.13
BC208B	0.13
BC212L	0.09
BC212LA	0.09
BC213	0.09
BC213L	0.09
BC214	0.09
BC214C	0.09
BC214L	0.09
BC237	0.10
BC237A	0.09
BC237B	0.09
BC238	0.09
BC239	0.12
BC251A	0.12
BC252A	0.15
BC258	0.25
BC258A	0.39
BC284	0.32
BC300	0.30
BC301	0.30
BC303	0.26
BC307	0.09
BC307A	0.09
BC307B	0.09
BC327	0.10
BC328	0.10
BC337	0.10
BC338	0.09
BC347A	0.13
BC346	0.35
BC478	0.20
BC527	0.20
BC547	0.10
BC548	0.10
BC549A	0.08
BC549B	0.08
BC557	0.08
BC557A	0.08
BC557B	0.08
BC558	0.10
BCY33A	1.80
BD115	0.30
BD116	0.60
BD124P	0.59
BD131	0.32
BD132	0.35
BD133	0.40
BD135	0.30
BD136	0.30
BD137	0.32
BD138	0.30
BD139	0.32
BD140	0.30
BD144	1.10
BD159	0.40
BY206	0.14
BY208-800	0.33
BY210-800	0.33
BY223	0.90
BY298-400	0.22
BY298-800	0.22
BYX10	0.20
BYX36-150R	0.20
BYX38-600R	0.20
BYX55-600	0.60
BYX71-600	0.60
BZ95C30	0.35
OA45	0.09
OA90	0.05
OA91	0.06
OA95	0.06
QA202	0.10
IN514	0.04
IN4001	0.04
IN4002	0.04
IN4003	0.04
IN4004	0.05
IN4005	0.05
IN4006	0.06
IN4007	0.06
IN4143	0.02
IN4448	0.10
IN5401	0.12
IN5402	0.12
IN5403	0.14
IN5404	0.12
IN5405	0.13
IN5406	0.13
IN5407	0.16
IN5408	0.16
ITT44	0.04
ITT93	0.04
IT2002	0.10
IT4004	0.05
IT4005	0.05
IT4006	0.06
IT4143	0.02
IT4448	0.10
IT5401	0.12
IT5402	0.12
IT5403	0.14
IT5404	0.12
IT5405	0.13
IT5406	0.13
IT5407	0.16
IT5408	0.16
ITT44	0.04
ITT93	0.04
ITT2002	0.10

SEMICONDUCTORS

BD159	0.65
BD166	0.55
BD179	0.72
BD182	0.70
BD201	0.83
BD202	0.65
BD203	0.78
BD204	0.70
BD222	0.46
BD223	0.48
BD225	0.50
BD232	0.35
BD233	0.35
BD234	0.35
BD236	0.45
BD237	0.40
BD238	0.40
BD241	0.40
BD242	0.50
BD246	0.60
BD376	0.32
BD377	0.55
BD410	0.27
BD434	0.60
BD437	0.60
BD438	0.60
BD506	0.50
BD508	0.40
BD520	0.65
BD538	0.65
BD597	0.75
BD697	1.10
BD698	1.10
BD707	0.80
BD732	1.50
BDY57	1.65
BF115	0.35
BF127	0.24
BF154	0.12
BF158	0.22
BF160	0.27
BF167	0.24
BF173	0.24
BF177	0.38
BF178	0.26
BF179	0.34
BF180	0.29
BF181	0.29
BF182	0.29
BF183	0.29
BF184	0.28
BF185	0.28
BF194	1.50
BF195	0.11
BF196	0.11
BF197	0.11
BF198	0.16
BF199	0.14
BF200	0.40
BF241	0.15
BF245	0.30
BF246	0.28
BF256/LC	0.28
BF257	0.28
BF258	0.28
BF259	0.28
BF271	0.26
BF	

PHONE
0474 813225
3 LINES

P. M. COMPONENTS LTD

SELECTION HOUSE, WROTHAM ROAD
MEOPHAM GREEN, MEOPHAM, KENT DA13QY

TELEX
966371
PM COMP



A SELECTION FROM OUR STOCK OF BRANDED VALVES

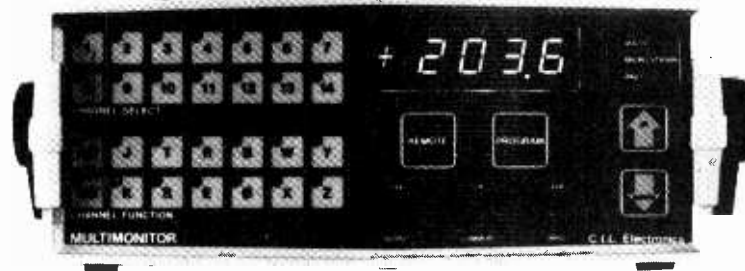
A1714	18.50	EAC91	2.50	EF800	11.50	HK90	1.05	PCL186	0.85	RG3-1250A	1.50	VR37	1.50	3A/147J	7.50	BBW7	1.50	OC2	0.70	92AV	11.85
A1998	11.50	EAF42	1.20	EF804S	11.50	HL2K	3.50	PCL200	1.80	VR75/30	3.00	VR91	3.00	3A/167M	10.00	BBWB	4.00	10D2	1.25	95A1	6.50
A2087	11.50	EAF801	1.40	EF805	11.50	HL23DD	4.00	PCL800	0.80	RK2K25	62.50	VR101	1.50	3A2	3.95	BBX6	0.48	10F1	0.75	108C1	1.50
A2134	14.95	EB4	1.50	EF806S	11.50	HL41	3.50	PCL805	0.80	RG4-1000	10.00	VR105/30	2.00	3A3A	3.95	BBX7GT	3.50	10GK6	1.95	150B2	3.95
A2293	6.50	EB41	3.00	EF806	14.50	HL41DD	3.50	PCL900	3.50	RK-20A	12.00	VR150/30	1.05	3A4	1.10	BB26	2.00	10P14	2.50	150C2	1.50
A2599	37.50	EB91	0.52	EF807	11.50	HL42DD	3.50	PCL950	3.50	RL16	12.00	VR150/30	1.05	3A15	0.95	BB27	2.95	10P18	0.78	150D4	2.15
A2900	11.50	EBF83	0.50	EF808	11.50	HL90	0.70	PNADD	2.00	RP16	12.00	VR150/30	1.05	3A17	1.95	BB28	0.95	10L10	1.00	150E6	25.00
A3042	24.00	EBF89	0.75	EF809	11.50	HL92	1.50	PN25	2.50	RP21	12.00	VR150/30	1.05	3A22	3.35	BB29	0.80	10L12	0.65	185BT	1.50
A3283	24.00	EBF90	0.75	EF810	11.50	HL133/DD	3.50	PN40DD	2.50	RP31	2.50	VX1620	5.00	3B2	3.00	BB30	0.65	11E2	16.50	205F	12.00
AC/HL/DD	4.00	EBF91	0.75	EF811	11.50	HR2	4.00	PN45	3.00	RP43	2.50	VX9133	5.00	3B7	4.50	BB31	0.65	11E3	55.00	257A	6.00
ACP	4.00	EBF93	2.50	EF812	11.50	HY90	1.00	PN45DD	3.00	RP47	2.50	VX9181	5.00	3B24	7.50	BB32	1.50	12A66	0.85	307	5.00
AC/THI	4.00	EBF80	0.50	EF813	11.50	HVR2	3.00	PN46	2.00	RR3-250	37.00	W77	5.00	3B28	12.00	BB33	1.00	12A68	1.50	329	5.00
ACT22	59.75	EBF83	0.50	EF814	11.50	H90	0.72	PN47	2.00	PFL200	1.25	W79	3.00	3C4	1.00	BB34	2.50	12A15	1.00	328A	17.50
AC/VF2	4.00	EBF85	0.95	EF815	11.50	KT3C	3.50	PN48	2.00	PL2	2.50	W79	3.00	3C45	17.50	BB35	1.50	12A16	0.59	425A5	8.00
AC/52 PEN3	5.00	EBF89	0.70	EF816	11.50	KT33C	3.50	PN49	2.00	PL3	1.25	W79	3.00	3C3A	2.50	BB36	1.50	12A17	0.95	431U	2.00
AC/HL/DD	4.00	EBF91	0.75	EF817	11.50	KT36	2.00	PN50	2.00	PL36	0.95	X66L	4.95	3CX3	2.50	BB37	1.50	12A17WA	2.50	572B	35.00
ACP	4.00	EBF93	2.50	EF818	11.50	KT44	4.00	PN50DD	3.00	PL38	1.50	X66M	1.95	3D21A	29.50	BB38	1.50	12A18	1.50	705A	8.00
AC/THI	4.00	EBF80	0.50	EF819	11.50	KT45	4.00	PN51	2.00	PL81	0.72	X79	3.50	3D22	19.50	BB39	1.50	12A19	0.55	708A	8.00
ACT22	59.75	EBF83	0.50	EF820	11.50	KT63	2.00	PN51A	2.00	PL81A	0.72	X79	3.50	3D22	19.50	BB40	1.50	12A20	0.80	715A	6.00
AC/VF2	4.00	EBF85	0.95	EF821	11.50	KT66 USA	7.15	PL81	0.60	PL81	0.60	X79	3.50	3D22	19.50	BB41	1.50	12A21	0.85	715C	4.00
AC/52 PEN3	5.00	EBF89	0.70	EF822	11.50	KT66 GEC	10.50	PL82	0.52	PL82	0.52	X79	3.50	3D22	19.50	BB42	1.50	12A22	0.65	725A	275.00
AH238	39.00	EBL1	1.50	EF823	11.50	K777 Gold Lion	10.50	PL84	0.65	S104/1K	10.00	X79	3.50	3D22	19.50	BB43	1.50	12A23	0.80	801A	2.00
AH238	39.00	EBL2	2.00	EF824	11.50	K777 Gold Lion	10.50	PL86	1.00	S109/1K	15.00	X79	3.50	3D22	19.50	BB44	1.50	12A24	0.85	813	18.50
AL60	6.00	ELB21	2.00	EF825	11.50	KT81	9.50	PL88	1.00	S130	5.95	X79	3.50	3D22	19.50	BB45	1.50	12A25	0.95	813 USA	59.50
ARP12	0.70	EC52	0.70	EF826	11.50	KT88 USA	9.50	PL95	1.75	S130P	5.95	X79	3.50	3D22	19.50	BB46	1.50	12A26	1.00	807	1.50
ARP34	1.25	EC70	0.75	EF827	11.50	KT88 Gold Lion	10.50	PL302	1.00	S130P	5.95	X79	3.50	3D22	19.50	BB47	1.50	12A27	1.00	811A	12.95
ARP35	2.00	EC80	4.25	EF828	11.50	KT88 Gold Lion	10.50	PL345	12.50	S130P	5.95	X79	3.50	3D22	19.50	BB48	1.50	12A28	1.00	813	18.50
BL63	2.00	EC81	4.50	EF829	11.50	KT88 Gold Lion	10.50	PL505	0.95	S130P	5.95	X79	3.50	3D22	19.50	BB49	1.50	12A29	1.00	813 USA	59.50
BS450	67.00	EC86	1.00	EF830	11.50	KT88 Gold Lion	10.50	PL508	1.95	S130P	5.95	X79	3.50	3D22	19.50	BB50	1.50	12A30	1.00	813 USA	59.50
CIK	16.00	EC88	1.00	EF831	11.50	KT88 Gold Lion	10.50	PL509	4.95	S130P	5.95	X79	3.50	3D22	19.50	BB51	1.50	12A31	1.00	813 USA	59.50
C3JA	16.00	EC90	0.70	EF832	11.50	KT88 Gold Lion	10.50	PL509	4.95	S130P	5.95	X79	3.50	3D22	19.50	BB52	1.50	12A32	1.00	813 USA	59.50
C1108	55.00	EC91	7.00	EF833	11.50	KT88 Gold Lion	10.50	PL509	4.95	S130P	5.95	X79	3.50	3D22	19.50	BB53	1.50	12A33	1.00	813 USA	59.50
C1134	32.00	EC92	1.25	EF834	11.50	KT88 Gold Lion	10.50	PL509	4.95	S130P	5.95	X79	3.50	3D22	19.50	BB54	1.50	12A34	1.00	813 USA	59.50
C1148A	115.00	EC93	0.80	EF835	11.50	KT88 Gold Lion	10.50	PL509	4.95	S130P	5.95	X79	3.50	3D22	19.50	BB55	1.50	12A35	1.00	813 USA	59.50
C1149J	130.00	EC95	7.00	EF836	11.50	KT88 Gold Lion	10.50	PL509	4.95	S130P	5.95	X79	3.50	3D22	19.50	BB56	1.50	12A36	1.00	813 USA	59.50
C1534	32.00	EC97	1.10	EF837	11.50	KT88 Gold Lion	10.50	PL509	4.95	S130P	5.95	X79	3.50	3D22	19.50	BB57	1.50	12A37	1.00	813 USA	59.50
CLB31	2.00	EC8010	6.00	EF838	11.50	KT88 Gold Lion	10.50	PL509	4.95	S130P	5.95	X79	3.50	3D22	19.50	BB58	1.50	12A38	1.00	813 USA	59.50
CCA	2.80	EC832	3.00	EF839	11.50	KT88 Gold Lion	10.50	PL509	4.95	S130P	5.95	X79	3.50	3D22	19.50	BB59	1.50	12A39	1.00	813 USA	59.50
CC3L	0.90	EC833	3.50	EF840	11.50	KT88 Gold Lion	10.50	PL509	4.95	S130P	5.95	X79	3.50	3D22	19.50	BB60	1.50	12A40	1.00	813 USA	59.50
CL33	2.00	EC835	3.50	EF841	11.50	KT88 Gold Lion	10.50	PL509	4.95	S130P	5.95	X79	3.50	3D22	19.50	BB61	1.50	12A41	1.00	813 USA	59.50
CMG25	9.00	EC840	3.00	EF842	11.50	KT88 Gold Lion	10.50	PL509	4.95	S130P	5.95	X79	3.50	3D22	19.50	BB62	1.50	12A42	1.00	813 USA	59.50
CV Nos Prices on request		EC881	0.95	EF843	11.50	KT88 Gold Lion	10.50	PL509	4.95	S130P	5.95	X79	3.50	3D22	19.50	BB63	1.50	12A43	1.00	813 USA	59.50
D63	1.20	EC882	0.55	EF844	11.50	KT88 Gold Lion	10.50	PL509	4.95	S130P	5.95	X79	3.50	3D22	19.50	BB64	1.50	12A44	1.00	813 USA	59.50
DAF91	0.45	EC883 Philips	1.10	EF845	11.50	KT88 Gold Lion	10.50	PL509	4.95	S130P	5.95	X79	3.50	3D22	19.50	BB65	1.50	12A45	1.00	813 USA	59.50
DAF96	0.65	EC883	0.65	EF846	11.50	KT88 Gold Lion	10.50	PL509	4.95	S130P	5.95	X79	3.50	3D22	19.50	BB66	1.50	12A46	1.00	813 USA	59.50
DC70	1.75	EC883 Mullard	1.75	EF847	11.50	KT88 Gold Lion	10.50	PL509	4.95	S130P	5.95	X79	3.50	3D22	19.50	BB67	1.50	12A47	1.00	813 USA	59.50
DC90	1.20	EC883	1.35	EF848	11.50	KT88 Gold Lion	10.50	PL509	4.95	S130P	5.95	X79	3.50	3D22	19.50	BB68	1.50	12A48	1.00	813 USA	59.50
DCX4-1000	12.00	EC883 Philips	1.10	EF849	11.50	KT88 Gold Lion	10.50	PL509	4.95	S130P	5.95	X79	3.50	3D22	19.50	BB69	1.50	12A49	1.00	813 USA	59.50
DCX4-5000	25.00	EC884	1.10	EF850	11.50	KT88 Gold Lion	10.50	PL509	4.95	S130P	5.95	X79	3.50	3D22	19.50	BB70	1.50	12A50	1.00	813 USA	59.50
DET10	6.00	EC886	1.45	EF851	11.50	KT88 Gold Lion	10.50	PL509	4.95	S130P	5.95	X79	3.50	3D22	19.50	BB71	1.50	12A51	1.00	813 USA	59.50
DET22	28.00	EC888	0.85	EF852	11.50	KT88 Gold Lion	10.50	PL509	4.95	S130P	5.95	X79	3.50	3D22	19.50	BB72	1.50	12A52	1.00	813 USA	59.50
DET24	39.00	EC891	2.00	EF853	11.50	KT88 Gold Lion	10.50	PL509	4.95	S130P	5.95	X79	3.50	3D22	19.50	BB73	1.50	12A53	1.00	813 USA	59.50
DET25	22.00	EC892	0.72	EF854	11.50	KT88 Gold Lion	10.50	PL509	4.95	S130P	5.95	X79	3.50	3D22	19.50	BB74	1.50	12A54	1.00	813 USA	59.50
DF91	0.70	EC893	0.70	EF855	11.50	KT88 Gold Lion	10.50	PL509	4.95	S130P	5.95	X79	3.50	3D22	19.50	BB75	1.50	12A55	1.00	813 USA	59.50
DF92	0.60	EC891S	3.50	EF856	11.50	KT88 Gold Lion	10.50	PL509	4.95	S130P	5.95	X79	3.50	3D22	19.50	BB76	1.50	12A56	1.00	813 USA	59.50
DF96	0.65	EC893S	3.50	EF857	11.50	KT88 Gold Lion	10.50	PL509	4.95	S130P	5.95	X79	3.50	3D22	19.50	BB77	1.50	12A57	1.00	813 USA	59.50
DM63	1.20	EC894	0.60	EF858	11.50	KT88 Gold Lion	10.50	PL509	4.95	S130P	5.95	X79	3.50	3D22	19.50	BB78	1.50	12A58	1.00	813 USA	59.50
DH77	0.90	EC897	2.50	EF859	11.50	KT88 Gold Lion	10.50	PL509	4.95	S130P	5.95	X79	3.50	3D22	19.50	BB79	1.50	12A59	1.00	813 USA	59.50
DH79	0.																				

MULTIMONITOR THE ONE INSTRUMENT!

THERMOCOUPLE
MONITOR

THERMOCOUPLE
SIMULATOR

STRAIN GAUGE
MONITOR



VOLTMETER

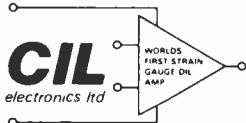
VOLTAGE
CALIBRATOR

MILLIVOLT
SOURCE

11 INPUTS — 3 OUTPUTS

Auto zero
Auto range
Thermocouple
Linearisation for all common types
Strain calculation
Automatic recalibration
Battery backup memory for vital functions

By combining the power of a Z80 microprocessor, and sophisticated analogue circuitry, the MULTIMONITOR gives you all these features, making it the most effective test instrument yet. As well as the 4½ Digit Local Display the Multi-monitor carries



DECOY ROAD,
WORTHING, SUSSEX
Tel: (0903) 200673



AND AS STANDARD

WW - 032 FOR FURTHER DETAILS

NEW! ICOM ICH2 SYNTHESIZED FM HANDPORTABLE



The ICH2 is the first of a new breed of synthesized hand-held radio transceivers. Being synthesized, it requires no crystals to be set on to frequency. All that is required is to lift a recessed panel on the top of the set and cut the correct diodes to program the set to one or two channels. Duplex or simplex is obtained in the same way. This really is a boon to the busy dealer and convenient for the customer who wants those extra few sets "yesterday".

The ICH2 is very versatile, coming complete with a rechargeable ni-cad pack, small mains charger, rubber helical antenna, earphone and strong spring belt clip. Optional extras include: A speaker/microphone, cigarette lighter plug 12V charging lead, 12V convertor to operate direct from the car supply, leather and leatherette cases, various different types of slide on/off battery packs both rechargeable and dry and a desk charger that fast charges some of the battery packs in 1 to 1½ hours. The battery packs slide on and off very easily, enabling a spare to be carried in your pocket and an exchange made in the field. Sizes are 6.5"H x 2.6"W x 1.4"D, weighing 1.1lb. Power output is 1-3 watts and covers a frequency range of 164.975-174.975Mhz, duplex or simplex.

Retail price is 269 pounds each plus VAT. We are also looking for dealers for general distribution. More details from

Thanet Electronics ICOM

143 Reculver Road, Herne Bay, Kent
Tel: 02273 63859. Telex 965179

WW - 049 FOR FURTHER DETAILS



MICROWAVE MODULES LTD

TUNE INTO THE WEATHER...

USING OUR COMPLETE 'METEOSAT' WEATHER SATELLITE RECEPTION SYSTEM

We supply the complete system from antenna to video monitor, at the lowest price ever imagined for such a comprehensive system. View the entire globe on your video screen, or select any enlarged portion of the earth, for example Europe, as seen by the satellite from 20,000 miles above the earth. Both visible light pictures and infra-red pictures can be selected, the latter giving useful temperature information.

Our complete system consists of the following items -

1. **ANTENNA:** 1.1 metre diameter parabolic dish with feed, supplied in kit form to reduce costs and make transportation easier.
2. **ANTENNA PREAMPLIFIER:** Gasfet low-noise preamplifier to be bolted on to the antenna, to overcome feeder losses and provide maximum sensitivity.
3. **1690 MHz CONVERTER:** Frequency converter from 1690 MHz to 137.5 MHz to allow a conventional receiver to be utilised.
4. **137 MHz RECEIVER:** The FM receiver, which demodulates the received encoded signal. Orbiting satellites on the 136-138 MHz band can also be received using this receiver.
5. **DIGITAL FRAME STORE:** The audio signal from the receiver is stored in a large Dynamic RAM memory, which then drives the monitor to provide a continuous display.
6. **VIDEO MONITOR:** A high quality black-and-white monitor, with 25 MHz bandwidth, ideal for displaying this type of image with excellent definition.

The above items are all that are necessary to obtain first-class pictures from Meteosat. **ALL FOR £1,295+VAT.**

Individual items from the above system are also available.

Write or phone for further details

MICROWAVE MODULES
BROOKFIELD DRIVE, AINTREE, LIVERPOOL L9 7AN, ENGLAND
Telephone: 051-523 4011 Telex: 628608 MICRO G

WW - 055 FOR FURTHER DETAILS

TOROIDALS

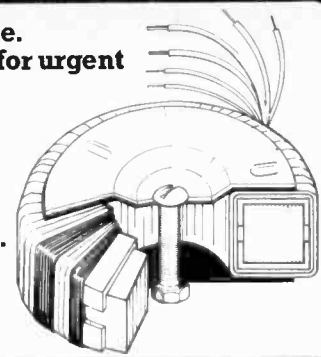
The toroidal transformer is now accepted as the standard in industry, overtaking the obsolete laminated type. Industry has been quick to recognise the advantages toroidals offer in size, weight, lower radiated field and, thanks to I.L.P., PRICE.

Our large standard range is complemented by our SPECIAL DESIGN section which can offer a prototype service within 7 DAYS together with a short lead time on quantity orders which can be programmed to your requirements with no price penalty.

*Gold service available.
21 days manufacture for urgent deliveries.

*Orders despatched within 7 days of receipt for single or small quantity orders.

*5 year no quibble guarantee.



TYPE	SERIES No	SECONDARY Volts	RMS Current	PRICE	TYPE	SERIES No	SECONDARY Volts	RMS Current	PRICE	TYPE	SERIES No	SECONDARY Volts	RMS Current	PRICE
NEW! NEW! NEW! 15 VA 0x010 6+6 1.25 62 x 34mm 0x011 9+9 0.83 0.35Kg 0x012 12+12 0.63 Regulation 0x013 15+15 0.50 19% 0x014 18+18 0.42 0x015 22+22 0.34 0x016 25+25 0.30 0x017 30+30 0.25 £5.12 + p & p £0.78 + VAT £0.89 TOTAL £6.79 (encased in ABS plastic)					120 VA 4x010 6+6 10.00 90 x 40mm 4x011 9+9 6.66 1.2Kg 4x012 12+12 5.00 Regulation 4x013 15+15 4.00 11% 4x014 18+18 3.33 4x015 22+22 2.72 4x016 25+25 2.40 4x017 30+30 2.00 4x018 35+35 1.71 4x028 110 1.09 4x029 220 0.54 4x030 240 0.50 £7.42 + p & p £1.72 + VAT £1.37 TOTAL £10.51					300 VA 7x013 15+15 10.00 110 x 50mm 7x014 18+18 8.33 2.6Kg 7x015 22+22 6.82 Regulation 7x016 25+25 6.00 6% 7x017 30+30 5.00 7x018 35+35 4.28 7x026 40+40 3.75 7x025 45+45 3.33 7x033 50+50 3.00 7x028 110 2.72 7x029 220 1.36 7x030 240 1.25 £10.88 + p & p £2.05 + VAT £1.94 TOTAL £14.87				
30 VA 1x010 6+6 2.50 70 x 30mm 1x011 9+9 1.66 0.45Kg 1x012 12+12 1.25 Regulation 1x013 15+15 1.00 18% 1x014 18+18 0.83 1x015 22+22 0.68 1x016 25+25 0.60 1x017 30+30 0.50 £5.49 + p & p £1.10 + VAT £0.99 TOTAL £7.58					160 VA 5x011 9+9 8.89 110 x 40mm 5x012 12+12 6.66 1.8Kg 5x013 15+15 5.33 Regulation 5x014 18+18 4.44 8% 5x015 22+22 3.63 5x016 25+25 3.20 5x017 30+30 2.66 5x018 35+35 2.28 5x026 40+40 2.00 5x028 110 1.45 5x029 220 0.72 5x030 240 0.66 £8.43 + p & p £1.72 + VAT £1.52 TOTAL £11.67					500 VA 8x016 25+25 10.00 140 x 60mm 8x017 30+30 8.33 4Kg 8x018 35+35 7.14 Regulation 8x026 40+40 6.25 4% 8x025 45+45 5.55 8x033 50+50 5.00 8x042 55+55 4.54 110 4.54 8x028 220 2.27 8x030 240 2.08 £14.38 + p & p £2.40 + VAT £1.94 TOTAL £19.30				
50 VA 2x010 6+6 4.16 80 x 35mm 2x011 9+9 2.77 0.9Kg 2x012 12+12 2.08 Regulation 2x013 15+15 1.66 13% 2x014 18+18 1.38 2x015 22+22 1.13 2x016 25+25 1.00 2x017 30+30 0.83 2x028 110 0.45 2x029 220 0.22 2x030 240 0.20 £6.13 + p & p £1.35 + VAT £1.12 TOTAL £8.60					225 VA 6x012 12+12 9.38 110 x 45mm 6x013 15+15 7.50 2.2Kg 6x014 18+18 6.25 Regulation 6x015 22+22 5.11 7% 6x016 25+25 4.50 6x017 30+30 3.75 6x018 35+35 3.21 6x026 40+40 2.81 6x025 45+45 2.50 6x033 50+50 2.25 6x028 110 2.04 6x029 220 1.02 6x030 240 0.93 £9.81 + p & p £2.05 + VAT £1.78 TOTAL £13.64					625 VA 9x017 30+30 10.41 140 x 75mm 9x018 35+35 8.92 5Kg 9x026 40+40 7.81 Regulation 9x025 45+45 6.94 4% 9x033 50+50 6.25 9x042 55+55 5.68 9x028 110 5.68 9x029 220 2.84 9x030 240 2.60 £17.12 + p & p £2.55 + VAT £2.95 TOTAL £22.62				
80 VA 3x010 6+6 6.64 90 x 30mm 3x011 9+9 4.44 1Kg 3x012 12+12 3.33 Regulation 3x013 15+15 2.66 12% 3x014 18+18 2.22 3x015 22+22 1.81 3x016 25+25 1.60 3x017 30+30 1.33 3x028 110 0.72 3x029 220 0.36 3x030 240 0.33 £6.66 + p & p £1.72 + VAT £1.26 TOTAL £9.64					ALSO AVAILABLE Sizes up to and including 5KVA are manufactured to order.									

The benefits of ILP toroidal transformers

ILP toroidal transformers are only half the weight and height of their laminated equivalents, and are available with 110V, 220V or 240V primaries coded as follows.

IMPORTANT: Regulation — All voltages quoted are FULL LOAD. Please add regulation figure to secondary voltage to obtain off load voltage.

For 110V primary insert "0" in place of "X" in type number.

For 220V primary (Europe) insert "1" in place of "X" in type number.

For 240V primary (UK) insert "2" in place of "X" in type number.

Also available at Electrovalue, Maplin, Technomatic and Barrie Electronics.

For mail order please make your crossed cheques or postal orders payable to ILP Electronics Ltd, Barclaycard/Access welcome. Trade orders standard terms.

Post to: ILP Electronics Ltd, Graham Bell House, Roper Close, Canterbury CT2 7EP, Kent, England
 Telephone (0227) 54778 Telex 965780

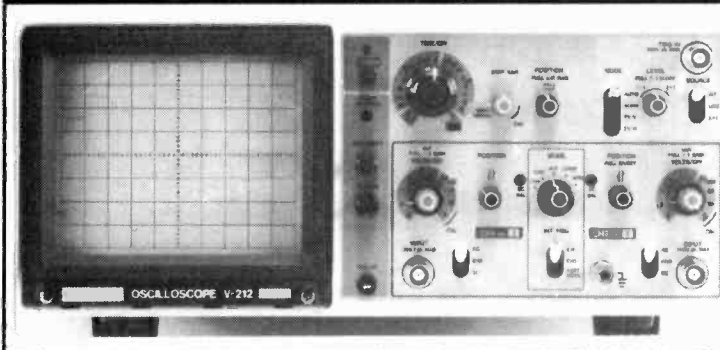


ILP TRANSFORMERS
 (a division of ILP Electronics Ltd)

WW - 034 FOR FURTHER DETAILS

Hitachi Oscilloscopes performance, reliability, value

New Models! immediate delivery!



New from Hitachi are three low-cost bench 'scopes with bigger screens and extra features in a new slimline ultra-lightweight format. The range now extends to 13 models:—

- 4 dual trace single timebase models 20MHz to 40MHz
- 2 dual trace sweep delay models 20MHz and 35MHz
- 2 dual timebase multi-trace models 60MHz and 100MHz
- 2 miniature field portable models, 20MHz and 50MHz
- 3 storage models, one tube storage, two digital storage

Prices start at £295 plus vat (model illustrated) including 2 probes and a 2-year warranty. We hold the range in stock for immediate delivery.

For colour brochure giving specifications and prices ring (0480) 63570.

Reltech Instruments, 46 High Street, Solihull, W. Midlands, B91 3TB

WW - 052 FOR FURTHER DETAILS

HEMMINGS ELECTRONICS AND MICROCOMPUTERS

**16 BRAND ST
HITCHIN
HERTS
SG5 1JE**

Tel: (0462) 33031
Shop open Mon.-Sat. 9 a.m.-5.30 p.m.
Closed all day Wednesday



Professional quality electronic components, brand new and fully guaranteed. Mail order by return of post. Cash/Cheque/POs or Banker's Draft with order, payable to Hemmings Electronics Ltd. Offers orders from schools, colleges and universities welcome. Trade and export enquiry welcome. P.&P. add 45p to all orders under £10. Telephone your Access orders, using our 24-hr. Ansaphone service. Please send SAE for full price list.
VAT - All prices exclusive of VAT - Please add 15% to total cost including P.&P. No VAT on export orders or books.

COMPUTER MEMORIES

ICs	6502 350p 6522 340p 6800 280p 6809 450p 6802 845p 6809 845p 6809 1350p 6809E 1295p 6810 120p 6821 160p 6821B 215p 6840 390p 68840 580p 6844 1295p 6845 795p 6850 140p 6852 250p 6854 680p 6875 490p 8726A 120p 8728 120p 8795 30p 8796 90p 8797 90p 8798 90p 8035L 340p 8038L 290p 8080A 450p 8085A 450p 8155 450p 8212 155p 8216 100p 8224 160p 8226 195p 8228 250p 8251 300p 8253 450p 8255 280p 8257 450p 8259 450p 8279 450p 75107 90p 75108 90p 75110 88p 75112 500p 75182 95p 75450 85p 75451 50p 75452 50p 75453 72p 75461 40p 75491 70p 75492 70p AY-3-1015D 300p AY-5-1013A 300p 280ACPU 350p 280APIO 300p 280ACTC 300p 280ADART 750p	RAM 2114L-200Ns 9p 6116P3-150Ns 390p 6116LP3-150Ns 450p Dynamic RAM 4116-200Ns 75p 4164-200Ns 450p Eprom 2708-450Ns 220p 2716-450Ns 210p 2532-450Ns 380p 2732-450Ns 380p 2764-450Ns 495p FLOPPY DISC CONTROLLERS FD1791 1950p UPD765A 1650p CRT CONTROLLER SFF96364 800p ZENER DIODES BZY88 Series 500mV E24 2V7 to 39V 8p 43V to 110V 12p BZX61 Series 1.3V E24 5V to 39V 15p 43V to 82V 20p BRIDGE RECTIFIERS 1A/100V 25p 1A/400V 30p 1A/800V 40p 2A/100V 40p 2A/400V 50p 2A/800V 70p 6A/400V 95p 10A/400V 280p 35A/400V 315p BY164 52p TRIACS TIC206D 55p TIC226E 95p T280AO 96p DIACS 29-37V 25p
------------	--	--

OPTO ELECTRONICS

LIGHT EMITTING DIODES (LED) 3mm Red 10p 3mm Green 15p 3mm Yellow 10p 5mm Red 10p 5mm Green 15p 5mm Yellow 15p Panel Clip 3mm or 5mm 4p Chrome Bezel 3mm 140p Chrome Bezel 5mm 42p Square LED 5mm x 5mm Red 25p Green or Yellow 30p Tri-colour LED A Red and a Green LED which produces Yellow when both are illuminated 70p Red Flashing Led 3Hz at 5V 45p	INFRARED TIL32 PN Gallium Arsenide IR Emitting Diode Power Output Typ 1.2mW 54p TIL38 PN Gallium Arsenide IR Emitting Diode Power Output Typ 12mW 50p TIL78 NPN Silicon Phototransistor 55p TIL100 Large-Area Silicon Photodiode 70p 7 SEGMENT DISPLAYS TIL312 0.3" Red Common Anode 105p TIL313 0.3" Red Common Cathode 105p HA1141R 14mm Red Common Anode 140p HA1143R 14mm Red Common Cathode 140p 25mm Height Common Anode 250p INCANDESCENT BULBS Lilliput LES (T1 1/2) 6V or 12V 16p Capless 6V 60mA 14V 80mA 20p NEONS Panel Mounting Neon with Self Contained Resistor for 250V 48p LIGHT DEPENDENT RESISTORS ORP12 95p
---	---

CRYSTALS

32.768kHz 100p	6.000MHz 180p
1.000MHz 320p	6.144MHz 180p
1.8432MHz 240p	6.880MHz 240p
2.000MHz 225p	8.000MHz 160p
2.4576MHz 225p	10.000MHz 170p
3.000MHz 240p	15.000MHz 190p
3.5795MHz 120p	18.432MHz 150p
3.6864MHz 240p	19.668MHz 240p
4.000MHz 150p	20.000MHz 200p
4.1943MHz 190p	27.000MHz 170p
5.0688MHz 240p	48.000MHz 170p

PCB TRANSFERS

Make your own Printed Circuit Boards with Alflec Etch Resist PCB Transfers
★ Draw your artwork on 0.1" grid
★ Transfer to copper board using carbon paper
★ Burnish the Alflec transfers to the board using a spatula using carbon marks to assist in accurate alignment
★ Use Alflec chemical eraser to correct mistakes
★ Etch in Ferric Chloride

RELAYS

PCB TYPE
Microminiature Printed Circuit Relay Single Pole Change-over Contacts rated 2A or 125V maximum contacts are Gold on Silver Palladium Pins on 0.1" Grid 5V dc 560ohm, 12V dc 320 ohm, 24V dc 1280 ohm 95p

LIQUID CRYSTAL DISPLAY MODULES
PCM177 Frequency Counter 5 Digits, 0.35" FM, SW, MW, MHz, KHz Annunciators, Sample and Hold Capability, Reset Capability, 25 Selectable IF Offsets. Prescaler Available, Incandescent Backlighting, Supply Voltage 5v, Operating Current 4mA 1715p
PCM176 Digital Voltmeter, 3 1/2 digits, 0.5", +, - and Decimal Point, 200mV Full Scale Input, True Differential Input, Guaranteed '0' Reading, Single 9v Operation, Power Consumption 20mW, Accuracy 0.1%, +/- 1 Count, Temperature Drift 80ppm/C, Low Battery Indicator, 1950p
Both Modules are supplied with a data sheet

TEMPERATURE METER
A fully self-contained digital temperature meter, battery operated with an LCD display.
★ Temperature range 0-99.9°C
★ Accuracy 0.40°C +/- 0.2°C
★ +/- 0.70°C +/- 0.4°C
★ 70-99.9°C +/- 1.0°C
★ Battery 9v alkaline, Lifetime approx 1 year
★ External temperature probe £16.95

RELAYS

PCB TYPE
Microminiature Printed Circuit Relay Single Pole Change-over Contacts rated 2A or 125V maximum contacts are Gold on Silver Palladium Pins on 0.1" Grid 5V dc 560ohm, 12V dc 320 ohm, 24V dc 1280 ohm 95p

THE COMMODORE 64

MEMORY SIZE
System memory 20K ROM 3K RAM
User area 38K RAM or 54K if BASIC is not used
SCREEN DISPLAY
Full colour display 25 by 40 255 combinations of screen and border colours
16 Text/Character colours displaying alphanumeric or PET graphics
Connection to a TV set or a colour or monochrome monitor UHF modulator internal to the computer
GRAPHICS
High resolution graphics 320 x 200 pixels
62 predefined graphic symbols available from the keyboard displaying in normal or reverse in all 16 colours
SPRITE GRAPHICS
High resolution moveable object blocks 24 pixels wide by 21 pixels deep
Up to 8 Sprites which can be layered for 3D effects
Sprites can be one of 8 colours or multicolour up to 4 different colours in one sprite
Sprites can be moved independently of text, graphics or other Sprites
SOUND
Music Synthesis chip provides 3 voices, 8 Octaves 4 waveforms - sawtooth, triangle, pulse or noise
Programmable attack, decay, sustain and release
Programmable filter - low pass, band pass, high pass or notch outputs
Variable resonance and master volume control
INPUT/OUTPUT
User port with RS232C Cartridge port for games and ROM based software
2 joystick/headlight/light pen ports
LANGUAGE
BASIC interpreter future options are BASIC compiler, Pascal, COMAL, LOGO and FORTH
£299 + VAT SECURICOR £6

TEMPERATURE METER

A fully self-contained digital temperature meter, battery operated with an LCD display.
★ Temperature range 0-99.9°C
★ Accuracy 0.40°C +/- 0.2°C
★ +/- 0.70°C +/- 0.4°C
★ 70-99.9°C +/- 1.0°C
★ Battery 9v alkaline, Lifetime approx 1 year
★ External temperature probe £16.95

TRANSFORMERS

PCB MOUNTING TYPE
All types have dual primaries of 0.120, 0.120 for inputs of 120V or 240V. Primary and Secondary wound on a Split Bobbin providing superior Isolation
3VA 2 x 6V at 250mA
2 x 12V at 125mA

CHASSIS MOUNTING

6-0-6V at 100mA 120p	2 x 15V at 100mA 155p
9-0-9V at 100mA 120p	2 x 20V at 67mA 155p
12-0-12V at 100mA 145p	2 x 6V at 50mA 240p
15-0-15V at 0.5A 350p	2 x 12V at 250mA 240p
9-0-9V at 1A 320p	2 x 20V at 200mA 275p
12-0-12V at 1A 320p	
15-0-15V at 1A 395p	
30-0-30V at 0.5A 395p	

★ EPSON FX-80 ★

We now have in stock the new Epson printer, the FX-80, which replaces the MX80 F/7 III. If you thought the MX80 was good, you will agree that the FX-80 is brilliant. All the MX80 features are there plus the following extras:
★ 160 cps print speed
★ 80 cps special quiet mode
★ Program selectable character set which can be downloaded from your computer
★ 9 different bit image modes up to 1920 pixels per line
★ Print styles emphasised, condensed, proportional, elite, italic and all MX80 styles
★ Program control of skip-over perforation, number of columns, character sets
★ Fully compatible with MX80 control codes

PRINCE MONITOR

A 12" monochrome monitor 24MHz video bandwidth ideal for most personal computers, word processing, scientific work etc.
INPUT VIDEO
1 volt-p-p composite video
EXTERNAL CONTROLS
Contrast, brightness, vertical hold, on/off
INTERNAL CONTROLS
Horizontal width, linearity, frequency, phase, focus, black level, vertical height and linearity
TECHNICAL CHARACTERISTICS
Scan 625 lines/50Hz, Deflection 110°, Character display 80 by 24 lines, Video input PHONO, X-ray radiation to IEC spec no 65
SCREEN PHOSPHORS
Black/white, green, or orange Green or orange filters available to order

£395 + VAT SECURICOR £6

THE COMMODORE 64

MEMORY SIZE
System memory 20K ROM 3K RAM
User area 38K RAM or 54K if BASIC is not used
SCREEN DISPLAY
Full colour display 25 by 40 255 combinations of screen and border colours
16 Text/Character colours displaying alphanumeric or PET graphics
Connection to a TV set or a colour or monochrome monitor UHF modulator internal to the computer
GRAPHICS
High resolution graphics 320 x 200 pixels
62 predefined graphic symbols available from the keyboard displaying in normal or reverse in all 16 colours
SPRITE GRAPHICS
High resolution moveable object blocks 24 pixels wide by 21 pixels deep
Up to 8 Sprites which can be layered for 3D effects
Sprites can be one of 8 colours or multicolour up to 4 different colours in one sprite
Sprites can be moved independently of text, graphics or other Sprites
SOUND
Music Synthesis chip provides 3 voices, 8 Octaves 4 waveforms - sawtooth, triangle, pulse or noise
Programmable attack, decay, sustain and release
Programmable filter - low pass, band pass, high pass or notch outputs
Variable resonance and master volume control
INPUT/OUTPUT
User port with RS232C Cartridge port for games and ROM based software
2 joystick/headlight/light pen ports
LANGUAGE
BASIC interpreter future options are BASIC compiler, Pascal, COMAL, LOGO and FORTH
£299 + VAT SECURICOR £6

9m MONITOR in attractive case, non-standard input with info. £25.	27 ADVANCE DUAL STABILIZED DC SUPPLY type PP3-0-30V 0-1A twice Metered £50
Matching ASC 11 coded QUERY KEYBOARD with Numeric Keypad and 27 function keys £25 each. P&P £5. THE PAIR £45.	28 ADVANCE SIGNAL GENERATOR R/F type E2. 100KHz-10MHz CW/Mod £40
12in MONITOR cased, non-standard input, with info £20 each.	29 HEWLETT PACKARD 431B POWER METER with head type 84788 10MHz-180Hz £250
With matching ASC 11 coded QUERY KEYBOARD with Numeric Keypad and 24 function keys £25 the pair.	30 H.P. CALIBRATOR type 8477A for use with Power Meters £75
PDP UNIT, 240v input, outputs x5v/15a + 24V/1.5a 24v3a £10 each.	33 H.P. VHF SIGNAL GENERATOR type 608C 10-480 MHz £150
INSTRUMENT CASE, standard 19in width x 16in deep x 10in, high £5 each.	34 H.P. CALORIMETRIC POWER METER Model 434A £75
FLOPPY DISK DRIVE 8in by MEMOREX with control electronics £75 each P&P £5.	38 METRIC WOBULATOR type 2105-220MHz £25
HARD DISK DRIVES by DATA RECORDING Series 30. Front load with info. £125 each.	40 TOLONIC SWEEP GENERATOR type S03M 440 £50
TEKTRONIX STORAGE DISPLAY UNIT type 611. Screen size 8 1/2in x 6 1/2in £495.	41 STANDARD IF GENERATOR with 12 Fixed IFs (for TV servicing) £35
TEKTRONIX HARD COPY UNIT type 4610-1, can be used with 4010 series computer display terminals. £325.	42 KAY SWEEP & MARKER GENERATOR type 1500C £125
CREEO 75 TELEPRINTER Very good condition £25 each, Carriage £7.	43 SIGN ELECTRONICS DISTORTION FACTOR METER DM344A 100Hz-10KHz 0.01% £100
	45 WAYNE KERR UNIVERSAL BRIDGE B221 with LDW IMPEDANCE ADAPTOR Q221 £95
	46 WAYNE KERR UNIVERSAL BRIDGE CT530 (B221) with LDW IMPEDANCE ADAPTOR Q221A. Late style £25
	53 BRADLEY OSCILLOSCOPE CALIBRATOR type 156 £175
	54 RADIO METER type AFM1 MODULATION METER 3-320 MHz £150
	60 LABGEAR COLOURMATCH 625 PATTERN GENERATOR type CM6034-90 P&P £4
	117 AVO ELECTROLYTIC & TANTALYTIC CAPACITANCE BRIDGE Model CB154 £125
	195 HEWLETT PACKARD UHF SIGNAL GENERATOR type 612A 450-1230 MHz £175
	243 H.P. Log Voltmeter/Amplifier Model 7563A £95
	245 SIEMENS LEVEL DIFFERENCE METER type D2003 £250
	246 SIEMENS FREQUENCY GENERATOR type G021 0.01-25MHz £250
	253 MARCONI ATTENUATOR CT421-TF10173A 25 75 Ohm £30
	254 MARCONI AUTOMATIC DISTORTION METER TF2337 £225
	248 SIEMENS LEVEL OSCILLATOR 0.2-1600KHz type W231 with W233 & W234 £95
	249 SIEMENS LEVEL METER 0.2-1600KHz type 0354 with Re130369 & Re130370 £95
	255 S.E. LABS OSCILLOSCOPE SM111 Dual Trace 20 MHz Portable £475
	256 MARCONI SIGNAL GENERATOR TF2002A 5 AM/FM 10KHz-12MHz AM/FM Mod £475
	257 MARCONI SIG GEN type TF2002 as above AM only £250
	258 MARCONI UHF SIGNAL GENERATOR TF10602 450-1230. Late style £150
	259 MARCONI WIDE RANGE OSCILLATOR TF1307A 10MHz-10MHz Square Wave up to 100KHz £95
	260 MARCONI OSCILLATOR TF101 20Hz-200KHz £45

STEWART OF READING

110 WYKEHAM ROAD, READING, BERKS RG6 1PL
Telephone: 0734 68041
Callers welcome 9 a.m. to 5.30 p.m. Monday to Saturday inclusive
WW - 042 FOR FURTHER DETAILS

RECHARGEABLE BATTERIES

PRIVATE & TRADE ENQUIRIES WELCOME
Full range available to replace 1.5 volt dry cells and 9 volt PP type batteries, SAE for lists and prices. £1.45 for booklet, "Nickel Cadmium Power," plus catalogue.
★ COMPLETE RANGE OF CHARGERS
SANDWELL PLANT LTD.
2 Union Drive, Boldmere
Sutton Coldfield, West Midlands, 021-354 9764
After hours: LICHFIELD 57977
Now open Saturday morning 9.30 to 12.30

ONE OFF EPROM PROGRAMMING

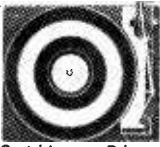
From Your HEX Table - For Your Development
► Programming of all popular, single rail EPROMs, with device either supplied by you or us. ► Any number of bytes programmed. Indicate 'don't care' addresses. ► Normal delivery 2-3 days, - excl. postage.

DEVICE TYPE	SUPPLIED BY US	YOU
2716 - 450nS	12-50	9-50
2716 - 350nS	15-50	9-50
2732 - 450nS	20-25	15-75
2732 - 350nS	22-25	15-75
2532 - 450nS	20-25	15-75
2764 - 450nS	27-00	21-00

all prices inclusive of VAT (15%) and carriage.
Audio Visual Development Department,
Stephen Greaves Photography Limited
19 Queen Victoria Rd., Westbury Park, Bristol BS6 7PE. (0272) 732176
Tel: - Bristol

RECORD DECKS SINGLE PLAY

Large Turntables
240 volt AC. Post £2



Make	Model	Drive	Cartridge	Price
BSR	P170	Rim	Ceramic	£20
BSR	P232	Belt	Ceramic	£24
GARRARD	6200	Rim	Ceramic	£22
GARRARD	Delux	Belt	Magnetic	£40

BSR	P232	12 volt	Magnetic	£24
-----	------	---------	----------	-----

MAINS PRE-AMP FOR MAGNETIC CARTRIDGES to low gain amplifier 10mv to 1/2 volt, mono £5, stereo £7. P&P £1

HEAVY METAL PLINTHS Post £2

Cut out for most Garrard decks. Black or silver grey finish. Size 16x13 1/2in. £4
DECCA TEAK VENEERED PLINTH. Post £1.50
 Superior finish with space and panel for small amplifier. Board is cut for B.S.R. 18 3/4in. x 14 1/2in. x 4in. Black/chrome fascia trim. Also with boards cut out for Garrard £3. Tinted plastic cover £5

TINTED PLASTIC COVERS	Post £2
17 7/8 x 13 1/2 x 3 1/2 in.	£5
17 1/4 x 9 3/8 x 3 1/2 in.	£3
16 1/2 x 15 x 4 1/2 in.	£5
17 x 12 7/8 x 3 1/2 in.	£5
22 3/8 x 13 7/8 x 3 in.	£5
21 1/2 x 14 x 2 1/2 in.	£5
23 3/4 x 14 x 3 7/8 in.	£5

THE "INSTANT" BULK TAPE ERASER £9.50 Post 95p

Suitable for cassettes and all sizes of tape reels. AC mains 200/250V. Hand held size with switch and lead (120 volt to order). Will also demagnetise small tools and computer tapes.
Head Demagnetiser only £5.



BATTERY ELIMINATOR MAINS TO 9 VOLT D.C.

Stabilised output, 9 volt 400 m.a. U.K. made in plastic case with screw terminals. Safety overload cut out. Size 5 x 3 1/4 x 2 1/2 in. Transformer Rectifier Unit. Suitable Radios, Cassettes, models, £5. Post £1.

DRILL SPEED CONTROLLER/LIGHT DIMMER KIT. Easy build kit. Controls up to 800 watts AC mains with plastic case 4 x 3 x 1 1/2 in. £5, less case £4. For brush motors, power tools, drills and lighting. Post 65p.

R.C.S. LOW VOLTAGE STABILISED POWER PACK KITS £3.95. Post 65p

All parts and instructions with Zener diode printed circuit, mains transformer 240V a.c. Output 6 or 7 1/2 or 9 or 12V d.c. up to 100mA or less. Please state voltage required.

- RELAYS**. 6V DC 95p. 12V DC £1.25. 18V £1.25. 24V £1.30
- ALUMINIUM CHASSIS**. 6x4-£1.75; 8x6-£2.20; 10x7-£2.75; 12x8-£3.20; 14x9-£3.80; 16x6-£2.50; 16x10-£3.80; 12x3-£2.20; 14x3-£2.50.
- ALUMINIUM PANELS**. 6x4-£55p; 8x6-£90p; 14x3-£90p; 10x7-£1.15; 12x8-£1.30; 12x5-£90p; 16x6-£1.30; 14x9-£1.75; 12x12-£1.80; 16x10-£2.10.
- ALUMINIUM BOXES**. 4x4x1 1/2 £1.20. 4x2 1/2x2 £1.20. 3x2x1 £1.20. 6x4x2 £1.90. 7x5x3 £2.90. 8x6x3 £3.10. 10x7x2 £3.60. 12x5x3 £3.60. 12x8x3 £4.30.
- ALI ANGLE BRACKET** 6x3x4in. 30p.
- BRIDGE RECTIFIER** 200V PIV 2a £1. 4a £1.50. 6a £2.50.
- TOGGLE SWITCHES** SP 40p. DPST 50p. DPDT 60p.
- MINIATURE TOGGLES** SP 40p. DPDT 50p.
- RESISTORS**. 100 to 10M. 1/4W, 1/2W, 1W, 2p; 2W 10p. Low ohm 1 watt 0.47 to 3.9ohm 10p.
- HIGH STABILITY**. 1/2W 2% 10 ohms to 1 meg. 10p.
- WIRE-WOUND RESISTORS** 5 watt, 10 watt, 15 watt 20p.
- PICK-UP CARTRIDGES** SONOTONE 9TA £3.80.
- BSR Stereo Ceramic SC7 Medium Output £2**. SC12 £3.
- PHILIPS PLUG-IN HEAD**. Stereo Ceramic. AU1020 (G306) - GP2310 - GP2310 - AG3306. £2. A.D.C., QLM 30/3 Magnetic £5.
- STYLUS** Most Ceramic Acos, Sonotone, BSR, Garrard Phillips Diamond £1.50 ea.
- MAGNETIC STYLUS**. Sony, JVC, Sanyo, Goldring, etc. £4.
- LOKITT SEALING KIT** DECCA 118. Complete £1.
- VALVE OUTPUT** Transformers push/pull 15 watt £14; 30W £18; 50W £20; 100W £24. Post £2. 100V/Line 20W £3.75.
- MICROSWITCH**, 50p. Miniature 65p. SPDT.
- ANTEX SOLDERING IRON** 'C' 15W £5.25. 25W 'X25' £5.50.
- WAFER SWITCHES**. 1 1/4" dia. 60p ea.
- 1P 12V; 2P 2W; 2P 6W; 3P 4W; 4P 2W; 4P 3W.
- FERRITE ROD**. 6" x 1/2"; 6" x 3/8"; 8 1/2" x 1/2" 50p
- XLR Lead Plug** £2.40. Lead socket £2.75
- XLR Chassis Plug** £2.20. Chassis socket £2.55.
- BANANA 4mm Plugs/Sockets**, red/black 20p
- JACK PLUGS** Mono Plastic 25p; Metal 30p. Sockets 25p.
- JACK PLUGS** Stereo Plastic 30p; Metal 35p. Sockets 30p.
- FREE SOCKETS** - Cable end 30p. Metal 45p.
- 2.5mm and 3.5mm JACK SOCKETS 25p. Plugs 25p.
- DIN TYPE CONNECTORS**
- Sockets 3-pin, 5-pin 15p. Free Sockets 3-pin, 5-pin 25p.
- Sockets 3-pin 20p; 5-pin 25p; Speaker plugs 25p; Sockets 15p.
- PHONO PLUGS AND SOCKETS** ea. 20p; Double sockets 30p.
- Free Socket for cable end 20p. Screened Phono Plugs 25p.
- B.N.C. PLUGS** £1. Sockets £1. Free Sockets £1.10.
- U.H.F. PLUG** 50p. Socket 50p. Reducer 20p. Coupler 50p.
- 300 ohm TWIN RIBBON FEEDER** 10p yd.
- 300 ohm to 75 ohm AERIAL MATCHING TRANSFORMER** £1.
- U.H.F. COAXIAL CABLE SUPER LOW LOSS**, 75 ohm 25p yd.
- COAX PLUGS** 30p. COAX SOCKETS 20p. Lead Sockets 65p.
- NEON INDICATORS** 250V, round 40p. Rectangular 45p.
- MORSE CODE TAPPER AND BUZZER SET** £3.
- CAR CASSETTE MECHANISM**. 12V Controlled Motor Stereo Head £5

POTENTIOMETERS Carbon Track
 5k to 2M. LOG or LIN. L/S 50p. DP 90p. Stereo L/S £1.10. DP £1.30. Edge Pot 5K. SP 45p.

MINI-MULTI TESTER NEW
 De luxe pocket size precision moving coil instrument. Impedance + Capacity 4000 ohm p.v. Battery included.
 11 instant ranges measure:
 DC volts 5.25, 250, 500
 AC volts 10, 50, 500, 1000
 DC amps 0-250µA, 0-250mA
 Resistance 0 to 600K ohms

£7.50 Post 65p

De Luxe Range Doubler Model £19.50
 50,000 ohm p.v. 7x5x2in Post £1
 43 Ranges, 1,000V, AC-DC, 20 meg, etc

PANEL METERS
 50µa, 100µa, 500µa, 1ma, 5ma, 50ma, 100ma, 500ma, 1 amp, 2 amp, 25 volt, VU
 2 1/4 x 2 x 1 1/4. Stereo VU
 3 1/4 x 1 1/2 x 1 in. £4.50 Post 50p

RCS SOUND TO LIGHT CONTROL BOX
 Complete ready to use with cabinet size 9x3x5in 3 channel, 1000 watt each. For home hi-fi disco Input 200mV to 100 watt Post £1
OR KIT OF PARTS £19.50
 Disco bulbs 100 watt, blue, green, yellow, red, amber, screw or bayonet £2 each. Post £1.50 per six "FUZZ" lights, red, blue, green, amber, 240V. £23. Post £1
 200 Watt Rear Reflecting White Light Bulbs. Ideal for Disco Lights, Edison Screw. 6 for £4, or 12 for £7.50. Post £1.50. Suitable panel mounting holders 85p.

RCS "MINOR" 10 watt AMPLIFIER KIT £14
 This kit is suitable for record players, guitars, tape playback, electronic instruments or small PA systems. Two versions available: Mono. £14; Stereo. £20. 10W per channel; size 9 1/2 x 3 1/2 in. SAE details. Full instructions supplied. 240V AC mains. Post £1.

RCS STEREO PRE-AMP KIT. All parts to build this pre-amp. Inputs for high, medium or low impedance per channel, with volume control and PC board. Can be ganged to make multi-way stereo mixers. Post 65p. **£3.50**

MAINS TRANSFORMERS
 250-0-250V 80mA, 6.3V 3.5A, 6.3V 1A Post £8.00 £2
 350-0-350V 250mA, 6.3V 6A CT £12.00 £2
 220V 45ma 6V 2 Amp £4.00 £1
 250V 60mA 6V 2A £4.75 £1

Step-Up
 115V to 240V 150W £9. 250W £10. 500W £12.00 £2

GENERAL PURPOSE LOW VOLTAGE

Tapped outputs available	Price	Post
2 amp. 3, 4, 5, 6, 8, 9, 10, 12, 15, 18, 25 and 30V	£8.00	£2
1 amp. 6, 8, 10, 12, 16, 18, 20, 24, 30, 36, 40, 48, 60	£8.00	£2
2 amp. 6, 8, 10, 12, 16, 18, 20, 24, 30, 36, 40, 48, 60	£10.00	£2
3 amp. 6, 8, 10, 12, 16, 18, 20, 24, 30, 36, 40, 48, 60	£12.50	£2
5 amp. 6, 8, 10, 12, 16, 18, 20, 24, 30, 36, 40, 48, 60	£16.00	£2
5-8-10-16V. 1/2 amp	£2.50	£1
6V. 1/2 amp	£2.00	£1
6-0-6V 1/2 amp	£3.50	£1
9V 250mA	£4.50	£1
9V 3 amp	£4.50	£1
9-0-9V 50ma	£1.50	£1
9-0-9V. 1 amp	£3.50	£1
10-0-10V. 2 amps	£4.00	£1
10-30-40V. 2 amps	£4.50	£1
12V. 100mA	£1.50	£1
12V. 750 mA	£2.50	£1
12V 3 amps	£4.50	£1
12-0-12V. 2 amps	£4.50	£1

CHARGERS TRANS Post
 6-12 volt 3a £4.50+£2
 6-12 volt 4a £6.50+£2

RECTIFIERS Post
 6-12 volt 2a £1.10+80p
 6-12 volt 4a £2.00+80p

OPUS COMPACT SPEAKERS £22 pair Post £2

TEAK VENEERED CABINET
 11 x 8 1/2 x 7 1/2 in, 15 watts
 50 to 14,000 cps. 4 ohm, 8 ohm or 16 ohm

OPUS TWO 15 x 10 1/2 x 7 3/4 in 25 watt
 2-way system £39 pair. Post £3

- LOW VOLTAGE ELECTROLYTICS** Wire ends 10p
- 1mf, 2mf, 4mf, 8mf, 10mf, 16mf, 25mf, 30mf, 50mf, 100mf, 250mf. All 15 volts, 22mf/6V/10V; 25mf/6V/10V; 47mf/10V; 50mf/6V; 68mf/6V/10V/16V/25V; 100mf/10V; 150mf/6V/10V; 200mf/10V/16V; 220mf/4V/10V/16V; 330mf/4V/10V; 500mf/6V; 680mf/6V/10V; 1000mf/2.5V/4V/10V; 1500mf/10V; 2200mf/6V/10V; 3300mf/6V; 4700mf/4V.
- 500mF 12V 15p; 25V 20p; 50V 30p; 1200mF 76V 80p.
 1000mF 12V 20p; 25V 35p; 50V 50p; 100V 70p.
 2000mF 6V 25p; 30V 42p; 40V 60p; 1500mF 100V £1.20.
 2200mF 63V 90p. 2500mF 50V 70p; 3000mF 50V 85p;
 4700mF 63V £1.80. 4700mF 740V £1.
- NON POLARISED CAPACITORS - REVERSIBLE**
 1mf 250V 25p; 1.5mf 100V 25p; 2.2mf 250V 30p; 3.3mf 100V 40p; 4.7mf 100V 40p; 10mf 63V 40p; 32mf 50V 25p.

- HIGH VOLTAGE ELECTROLYTICS**
- | | | | | | |
|---------|-----|---------------|-----|------------|-------|
| 2/500V | 45p | 32+32+16/350V | 90p | 8+16/450V | 75p |
| 8/450V | 45p | 100+100/275V | 85p | 16+16/350V | 80p |
| 16/350V | 45p | 150+200/275V | 70p | 32+32/350V | 85p |
| 32/500V | 95p | 32+32+32/275V | 75p | 32+32/500V | £2 |
| 32/350V | 50p | 50+50+50/350V | 95p | 50+50/300V | 50p |
| 50/450V | 95p | 8+8/500V | £1 | 80+40/500V | £2.20 |
- CAPACITORS WIRE END High Voltage**
 .001, .002, .003, .005, .01, .02, .03, .05 mfd 400V 10p.
 400V 14p. 600V 15p. 1000V 25p.
 22Mf 350V 12p. 600V 20p. 1000V 30p. 1750V 50p.
 47Mf 150V 10p. 400V 25p. 630V 30p. 1000V 60p.
TRIMMERS 30pF, 50pF, 10p, 100pF, 150pF 20p. 500pF 30p.
- MICROSWITCH SINGLE POLE CHANGEOVER** 40p.
GEARED TWIN GANGS 365+365+25+25pF £2.
BRASS SPINDLE EXTENDERS 85p. Couplers 65p.
VERNIER DRIVE DIALS, 36mm £2.50, 50mm £3.
SLOW MOTION DRIVE 6:1 90p. Reverse Vernier drive 90p.
TRANSISTOR TWIN GANG, Japanese Replacement £1.
SOLID DIELECTRIC 1000p £1.50

HEATING ELEMENTS, WAFER THIN (Semi Flexible)
 Size 11 x 9 1/2 in. Operating voltage 240V, 250W approx. Suitable for Heating Pads, Food Warmers, Convector Heaters. Propagation, etc. Must be clamped between two sheets of metal or ceramic, etc.
 ONLY 60p EACH (FOUR FOR £2) POST 50p.

NEW baker Star sound

high power full range quality loudspeakers. British made. Ideal for Hi-Fi, music P.A. or discotheques. These loudspeakers are recommended where high power handling and quality is required.

MODEL	INCHES	OHMS	WATTS	TYPE	PRICE	POST
MAJOR	12	4-8-16	30	HI-FI	£16	£2
SUPERB	12	8-16	30	HI-FI	£26	£2
AUDITORIUM	12	8-16	45	HI-FI	£24	£2
AUDITORIUM	15	8-16	60	HI-FI	£37	£2
GROUP 45	12	4-8-16	45	PA	£16	£2
DG 75	12	4-8-16	75	PA	£20	£2
GROUP 100	12	8-16	100	Guitar	£26	£2
DISCO 100	12	8-16	100	Disco	£26	£2
GROUP 100	15	8-16	100	Guitar	£35	£2
DISCO 100	15	8-16	100	Disco	£35	£2

BAKER AMPLIFIERS BRITISH MADE

NEW PA150 MICROPHONE PA AMPLIFIER £129
 4 channel 8 inputs, dual impedance, 50K-600 ohm 4 channel mixing, volume, treble, bass. Presence controls, Master volume control, echo send return socket, Slave sockets. Post £3.

BAKER 150 Watt AMPLIFIER 4 Inputs £99
 For Discotheque, Vocal, Public Address. Three speaker outlets for 4, 8 or 16 ohms. Four high gain inputs, 20 mv, 50K ohm. Individual volume controls "Four channel" mixing. 150 watts 8 ohms R.M.S. Music Power. Slave output 500 M.V. 25K ohm. Response 25 Hz - 20kHz ± 3dB. Integral Hi-Fi preamp separate Bass & Treble. Size - 16" x 8" x 5 1/2". Wt - 14lb: Master volume control. British made, 12 months' guarantee. 240v A.C. mains or 120V to order. All transistor and solid state. Post £2.
100 Volt Line Model £114. MONO SLAVE £80.
New Stereo Slave 150 + 150 watt 300 watt Mono £125. Post £4.

Complete Disco 150W. Twin console + amplifier + mike and headphones + twin speakers. £330. 300 watt version £399. Carriage £30.

ELECTRONIC ECHO CHAMBER £85. Post £2
 BBD Delay System 30m/sec to 200m/sec. Variable echo and direct sounds. Maintenance free. 240V AC.

DISCO GRAPHIC MIXER EQUALISER £108. Post £2
 4 Channel stereo, 5 band graphic, red + green LED, VU display, headphone monitor, mic + override switch.

PA CABINET SPEAKERS. Complete. 8 ohm 60 watt 17x15x9in. £25. Post £4. 4 or 8 or 16 ohm 75 watt 23x15x11in. £50. Carr. £10. 90 watt 32x15x11in. £63. 120 watt £77. Carr. £12.

WATERPROOF HORNS 8 ohms 10in. 25 watt £2. Post £2. 12in. 40 watt £26. Ditto, 100 volt line £32. Post £2.

Battery only Portable PA Amplifier 10w complete mike and speaker, OK for meetings, crowd control, stalls, fetes, traders, parties. Shoulder strap feature. £25 post £2.

R.C.S. 100 watt R.M.S. VALVE AMPLIFIER

4 Channel mixing. Master treble, bass and volume controls. 5 Speaker outlets, suits 4, 8, 16 ohm. Disco group. £125. Carr. £15.
60 WATT VALVE AMPLIFIER, 3 mixer inputs, 4-8-16 ohm, 100 volt line. 5 controls, 2 mic inputs plus 1 input switchable for mic, phono, aux. Treble and bass and 3 volume controls, 7 valves. £69. Post £3.

FAMOUS LOUSPEAKERS "SPECIAL PRICES"

MAKE	MODEL	SIZE	WATTS	OHMS	PRICE	POST
WHARFEDALE	TWEETER	4in	30	8	£7.50	£1
GODDMANS	TWEETER	3 1/2in	25	8	£4	£1
AUDAX	TWEETER	4in	30	8	£6.50	£1
AUDAX	MID-RANGE	4in	50	8	£7.50	£1
SEAS	MID-RANGE	4 1/2in	100	8	£12.50	£1
AUDAX	WOOFER	5 1/2	25	8	£10	£1
GODDMANS	HIFAX	7 1/2 x 4 1/4	100	4/8/16	£27	£2
GODDMANS	WOOFER	8in	25	4/8	£7.50	£1
GODDMANS	HB	8in	60	8	£12.50	£1
WHARFEDALE	WOOFER	8in	30	8	£9.50	£2
CELESTION	DISCO/GROUP	10in	50	8/16	£19	£2
GODDMANS	HPG/GROUP	12in	120	8/15	£29.50	£2
GODDMANS	GR12/GROUP	12in	90	8/15	£27.50	£2
GODDMANS	HPD/DISCO	12in	120	8/15	£29.50	£2
GODDMANS	HP/BASS	15 in	250	8	£69	£3
GODDMANS	HPD/BASS	18in	230	8	£80	£4

SPEAKER COVERING MATERIALS. Samples Large S.A.E.
B.A.F. LOUSPEAKER CABINET WADDING 18in wide 35p ft.

MOTOROLA PIEZO ELECTRIC HORN TWEETER, 3 1/2in. square £5
 100 watts. No crossover required. 4-8-16 ohm, 75p x 3 1/2in. £1

CROSSOVERS. TWO-WAY 3000 c/s 30 watt £3. 100W £4.
 3-way 950 cps/3000 cps. 40 watt rating. £4. 60 watt £6. 100W £8.
LOUSPEAKER BARGAINS. Please enquire, many others.
 4 ohm, 5in, 7x4in, £2.50; 6 1/2in, 8x5in, £3; 8in, £3.50; 8 1/2in 20W £7.50.
 8 ohm, 2 3/4in, 3in, £2; 5x3in, 6x4in, 7x4in, 5in, £2.50; 6 1/2in, 20W £7.50.
 8x5in, £3; 8in, £4.50; 10in, £5; 12in, £6.
 15 ohm, 2 1/4in, 3 1/2in, 5x3in, 6x4in, £2.50; 6 1/2in 10W £5. 8in £4. 10in £7.
 25 ohm, 3in, £2; 5x3in, 6x4in, 7x4in, £2.50. 120 ohm, 3 1/2in dia. £1.

EMI 13 1/2 x 8in. LOUSPEAKERS
 Model 450A, 10 watts R.M.S. with moving coil tweeter and two-way crossover; 3 ohm or 8 ohm. "Final Clearance".
SUITABLE BOOKSHELF CABINET
 Teak Veneers £6.50. Size 18x11x6in. Post £1.50. **£8** Post £1.50

Dept 1, 337 WHITEHORSE ROAD, CROYDON
 Open 9-6. Closed all day Wed. Open Sat. 9-5.

RADIO COMPONENT SPECIALISTS

Books and Components Lists 32p stamps. (Minimum post/packing charge 65p.) Access or Barclaycard Visa. Tel: 01-684 1665 for SAME DAY DESPATCH. Cash prices include VAT.

ELECTRIC SHOCK

2 WAYS TO RECOVERY

ACT AT ONCE – DELAY IS FATAL

ELECTRIC SHOCK ACT AT ONCE – DELAY IS FATAL

make sure it is safe to approach

if the casualty is breathing

if the casualty is NOT breathing

start artificial respiration—speed is essential

if AFTER FOUR INFLATIONS casualty does not respond to artificial respiration

external heart compression

1

2

Display the ELECTRICAL REVIEW shock first aid chart (356x508mm) supplied in thousands to destinations world-wide. Recent deliveries include consignments to companies in Papua New Guinea, Dubai, United Arab Emirates, The Philippines, apart from UK commercial and industrial, educational, Central Government, Local Authorities' orders.

Carry the ELECTRICAL REVIEW pocket-size shock card (92x126mm) designed to help safety and training officers, medical and welfare personnel; all who might find themselves called to save a life. Always pocket your card; there's a useful two-year calendar on the back.

GET IT – READ IT – PRACTISE 1-4
BE READY TO SAVE A LIFE.
SOMEONE MIGHT SAVE YOURS.

ACT AT ONCE—DELAY IS FATAL!

To Electrical-Electronic Press
General Sales Department
Room 205
Quadrant House
Sutton SM2 5AS
Surrey
England

Company Registered Number: 151537 (ENGLAND)
Registered Office: Quadrant House, The Quadrant
Sutton, Surrey SM2 5AS

Please send copy/copies as indicated

- Pocket Card @ 70p each inc VAT
- Paper Chart @ £1.00 each post free
- Card Chart @ £2.00 each post free
- Plastic Chart @ £3.00 each post free

Discounts: 100 + copies 10%
500 + copies 15%

(Overseas surface and air mail rates supplied on application.)

LANGREX SUPPLIES LTD

Climax House, Fallsbrook Rd., Streatham, London SW16 6ED

RST

Tel: 01-677 2424 Telex: 946708

RST

SEMICONDUCTORS

AA119 0.10	ASZ15 1.20	BC173 0.11	BD132 0.48	BF257 0.27	GE541 5.00	IAZ207 1.50	IC2025 2.75	ZTX504 0.21	2N1671 5.00	2N3819 0.30
AA30 0.17	ASZ16 1.10	BC177 0.28	BD135 0.40	BF259 0.28	GJ3M 1.50	OC16 2.50	OC206 2.75	ZTX531 0.24	2N1893 0.32	2N3820 0.39
AA30 0.17	ASZ17 1.00	BC178 0.28	BD136 0.40	BF336 0.34	GN378A 1.75	OC20 2.50	OC207 2.50	ZTX550 0.25	2N2147 4.00	2N3823 0.60
AA213 0.15	ASZ20 2.30	BC179 0.28	BD137 0.40	BF337 0.33	K5100A 0.45	OC22 2.50	OC212 2.00	18N14 0.05	2N2148 3.75	2N3866 1.00
AA215 0.15	ASZ21 2.50	BC182 0.11	BD138 0.48	BF338 0.36	MJE340 0.60	OC23 4.00	ORP12 1.00	18N16 0.09	2N2218 0.32	2N3904 0.17
AA217 0.15	AU113 2.50	BC183 0.11	BD139 0.48	BF521 0.30	MJE371 0.71	OC24 3.00	R2008B 2.00	1N4001 0.06	2N2219 0.32	2N3905 0.17
AC107 0.55	AU115 3.00	BC184 0.11	BD140 0.50	BF526 2.25	MJE372 0.73	OC25 1.00	R2009 2.25	1N4002 0.06	2N2220 0.20	2N3906 0.17
AC125 0.25	BA145 0.13	BC212 0.11	BD141 2.00	BF589 0.20	MJE2955 1.30	OC26 1.50	R2010B 2.00	1N4003 0.07	2N2221 0.20	2N4058 0.20
AC126 0.25	BA148 0.15	BC213 0.11	BD142 1.20	BF590 0.20	MJE3055 1.10	OC28 2.00	R2010C 2.00	1N4004 0.06	2N2222 0.20	2N4059 0.20
AC127 0.25	BA154 0.10	BC214 0.11	BD143 0.50	BF599 0.20	MJE3102 0.35	OC31 1.50	TIC42 1.20	1N4005 0.09	2N2223 4.25	2N4060 0.16
AC128 0.30	BA155 0.11	BC237 0.11	BD144 2.00	BF611 0.97	MJE3103 0.35	OC35 1.50	TIC226D 1.50	1N4006 0.11	2N2224 4.25	2N4061 0.16
AC141 0.28	BA156 0.10	BC238 0.11	BD145 1.20	BF710 0.50	MPF104 0.35	OC41 0.90	TIP209 0.16	1N4007 0.07	2N2369A 0.25	2N4124 0.16
AC141K 0.35	BAW62 0.05	BC301 0.33	BD146 2.00	BF711 0.96	MPF104 0.35	OC42 0.90	TIP290A 0.43	1N4008 0.04	2N2484 0.25	2N4126 0.16
AC142 0.28	BAX13 0.06	BC303 0.34	BD147 1.20	BF712 0.96	MPF104 0.35	OC43 0.90	TIP30A 0.45	1N4009 0.07	2N2484 0.25	2N4126 0.16
AC142K 0.35	BAX16 0.06	BC307 0.11	BD148 2.00	BF713 0.96	MPF104 0.35	OC44 0.90	TIP31A 0.33	1N4010 0.07	2N2484 0.25	2N4126 0.16
AC176 0.30	BC107 0.16	BC308 0.11	BD149 2.00	BF714 0.96	MPF104 0.35	OC45 0.90	TIP32A 0.67	1N4011 0.13	2N2904 0.32	2N4286 0.15
AC187 0.28	BC108 0.16	BC327 0.12	BD150 1.20	BF715 0.35	MPF104 0.35	OC46 0.90	TIP33A 0.54	1N4012 0.13	2N2905 0.32	2N4289 0.18
AC188 0.28	BC109 0.16	BC328 0.12	BD151 2.00	BF716 0.35	MPF104 0.35	OC47 0.55	TIP34A 0.67	1N4013 0.08	2N2906 0.21	2N4400 0.11
AC188 0.28	BC109 0.16	BC328 0.12	BD152 1.20	BF717 0.35	MPF104 0.35	OC48 0.55	TIP42A 0.44	1N4014 0.08	2N2907 0.21	2N4401 0.11
AC188 0.28	BC109 0.16	BC328 0.12	BD153 1.20	BF718 0.35	MPF104 0.35	OC49 0.55	TIP42A 0.44	1N4015 0.08	2N2908 0.21	2N4401 0.11
AC188 0.28	BC109 0.16	BC328 0.12	BD154 1.20	BF719 0.35	MPF104 0.35	OC50 0.55	TIP42A 0.44	1N4016 0.08	2N2909 0.21	2N4401 0.11
AC188 0.28	BC109 0.16	BC328 0.12	BD155 1.20	BF720 0.35	MPF104 0.35	OC51 0.55	TIP42A 0.44	1N4017 0.08	2N2910 0.21	2N4401 0.11
AC188 0.28	BC109 0.16	BC328 0.12	BD156 1.20	BF721 0.35	MPF104 0.35	OC52 0.55	TIP42A 0.44	1N4018 0.08	2N2911 0.21	2N4401 0.11
AC188 0.28	BC109 0.16	BC328 0.12	BD157 1.20	BF722 0.35	MPF104 0.35	OC53 0.55	TIP42A 0.44	1N4019 0.08	2N2912 0.21	2N4401 0.11
AC188 0.28	BC109 0.16	BC328 0.12	BD158 1.20	BF723 0.35	MPF104 0.35	OC54 0.55	TIP42A 0.44	1N4020 0.08	2N2913 0.21	2N4401 0.11
AC188 0.28	BC109 0.16	BC328 0.12	BD159 1.20	BF724 0.35	MPF104 0.35	OC55 0.55	TIP42A 0.44	1N4021 0.08	2N2914 0.21	2N4401 0.11
AC188 0.28	BC109 0.16	BC328 0.12	BD160 1.20	BF725 0.35	MPF104 0.35	OC56 0.55	TIP42A 0.44	1N4022 0.08	2N2915 0.21	2N4401 0.11
AC188 0.28	BC109 0.16	BC328 0.12	BD161 1.20	BF726 0.35	MPF104 0.35	OC57 0.55	TIP42A 0.44	1N4023 0.08	2N2916 0.21	2N4401 0.11
AC188 0.28	BC109 0.16	BC328 0.12	BD162 1.20	BF727 0.35	MPF104 0.35	OC58 0.55	TIP42A 0.44	1N4024 0.08	2N2917 0.21	2N4401 0.11
AC188 0.28	BC109 0.16	BC328 0.12	BD163 1.20	BF728 0.35	MPF104 0.35	OC59 0.55	TIP42A 0.44	1N4025 0.08	2N2918 0.21	2N4401 0.11
AC188 0.28	BC109 0.16	BC328 0.12	BD164 1.20	BF729 0.35	MPF104 0.35	OC60 0.55	TIP42A 0.44	1N4026 0.08	2N2919 0.21	2N4401 0.11
AC188 0.28	BC109 0.16	BC328 0.12	BD165 1.20	BF730 0.35	MPF104 0.35	OC61 0.55	TIP42A 0.44	1N4027 0.08	2N2920 0.21	2N4401 0.11
AC188 0.28	BC109 0.16	BC328 0.12	BD166 1.20	BF731 0.35	MPF104 0.35	OC62 0.55	TIP42A 0.44	1N4028 0.08	2N2921 0.21	2N4401 0.11
AC188 0.28	BC109 0.16	BC328 0.12	BD167 1.20	BF732 0.35	MPF104 0.35	OC63 0.55	TIP42A 0.44	1N4029 0.08	2N2922 0.21	2N4401 0.11
AC188 0.28	BC109 0.16	BC328 0.12	BD168 1.20	BF733 0.35	MPF104 0.35	OC64 0.55	TIP42A 0.44	1N4030 0.08	2N2923 0.21	2N4401 0.11
AC188 0.28	BC109 0.16	BC328 0.12	BD169 1.20	BF734 0.35	MPF104 0.35	OC65 0.55	TIP42A 0.44	1N4031 0.08	2N2924 0.21	2N4401 0.11
AC188 0.28	BC109 0.16	BC328 0.12	BD170 1.20	BF735 0.35	MPF104 0.35	OC66 0.55	TIP42A 0.44	1N4032 0.08	2N2925 0.21	2N4401 0.11
AC188 0.28	BC109 0.16	BC328 0.12	BD171 1.20	BF736 0.35	MPF104 0.35	OC67 0.55	TIP42A 0.44	1N4033 0.08	2N2926 0.21	2N4401 0.11
AC188 0.28	BC109 0.16	BC328 0.12	BD172 1.20	BF737 0.35	MPF104 0.35	OC68 0.55	TIP42A 0.44	1N4034 0.08	2N2927 0.21	2N4401 0.11
AC188 0.28	BC109 0.16	BC328 0.12	BD173 1.20	BF738 0.35	MPF104 0.35	OC69 0.55	TIP42A 0.44	1N4035 0.08	2N2928 0.21	2N4401 0.11
AC188 0.28	BC109 0.16	BC328 0.12	BD174 1.20	BF739 0.35	MPF104 0.35	OC70 0.55	TIP42A 0.44	1N4036 0.08	2N2929 0.21	2N4401 0.11
AC188 0.28	BC109 0.16	BC328 0.12	BD175 1.20	BF740 0.35	MPF104 0.35	OC71 0.55	TIP42A 0.44	1N4037 0.08	2N2930 0.21	2N4401 0.11
AC188 0.28	BC109 0.16	BC328 0.12	BD176 1.20	BF741 0.35	MPF104 0.35	OC72 0.55	TIP42A 0.44	1N4038 0.08	2N2931 0.21	2N4401 0.11
AC188 0.28	BC109 0.16	BC328 0.12	BD177 1.20	BF742 0.35	MPF104 0.35	OC73 0.55	TIP42A 0.44	1N4039 0.08	2N2932 0.21	2N4401 0.11
AC188 0.28	BC109 0.16	BC328 0.12	BD178 1.20	BF743 0.35	MPF104 0.35	OC74 0.55	TIP42A 0.44	1N4040 0.08	2N2933 0.21	2N4401 0.11
AC188 0.28	BC109 0.16	BC328 0.12	BD179 1.20	BF744 0.35	MPF104 0.35	OC75 0.55	TIP42A 0.44	1N4041 0.08	2N2934 0.21	2N4401 0.11
AC188 0.28	BC109 0.16	BC328 0.12	BD180 1.20	BF745 0.35	MPF104 0.35	OC76 0.55	TIP42A 0.44	1N4042 0.08	2N2935 0.21	2N4401 0.11
AC188 0.28	BC109 0.16	BC328 0.12	BD181 1.20	BF746 0.35	MPF104 0.35	OC77 0.55	TIP42A 0.44	1N4043 0.08	2N2936 0.21	2N4401 0.11
AC188 0.28	BC109 0.16	BC328 0.12	BD182 1.20	BF747 0.35	MPF104 0.35	OC78 0.55	TIP42A 0.44	1N4044 0.08	2N2937 0.21	2N4401 0.11
AC188 0.28	BC109 0.16	BC328 0.12	BD183 1.20	BF748 0.35	MPF104 0.35	OC79 0.55	TIP42A 0.44	1N4045 0.08	2N2938 0.21	2N4401 0.11
AC188 0.28	BC109 0.16	BC328 0.12	BD184 1.20	BF749 0.35	MPF104 0.35	OC80 0.55	TIP42A 0.44	1N4046 0.08	2N2939 0.21	2N4401 0.11
AC188 0.28	BC109 0.16	BC328 0.12	BD185 1.20	BF750 0.35	MPF104 0.35	OC81 0.55	TIP42A 0.44	1N4047 0.08	2N2940 0.21	2N4401 0.11
AC188 0.28	BC109 0.16	BC328 0.12	BD186 1.20	BF751 0.35	MPF104 0.35	OC82 0.55	TIP42A 0.44	1N4048 0.08	2N2941 0.21	2N4401 0.11
AC188 0.28	BC109 0.16	BC328 0.12	BD187 1.20	BF752 0.35	MPF104 0.35	OC83 0.55	TIP42A 0.44	1N4049 0.08	2N2942 0.21	2N4401 0.11
AC188 0.28	BC109 0.16	BC328 0.12	BD188 1.20	BF753 0.35	MPF104 0.35	OC84 0.55	TIP42A 0.44	1N4050 0.08	2N2943 0.21	2N4401 0.11
AC188 0.28	BC109 0.16	BC328 0.12	BD189 1.20	BF754 0.35	MPF104 0.35	OC85 0.55	TIP42A 0.44	1N4051 0.08	2N2944 0.21	2N4401 0.11
AC188 0.28	BC109 0.16	BC328 0.12	BD190 1.20	BF755 0.35	MPF104 0.35	OC86 0.55	TIP42A 0.44	1N4052 0.08	2N2945 0.21	2N4401 0.11
AC188 0.28	BC109 0.16	BC328 0.12	BD191 1.20	BF756 0.35	MPF104 0.35	OC87 0.55	TIP42A 0.44	1N4053 0.08	2N2946 0.21	2N4401 0.11
AC188 0.28	BC109 0.16	BC328 0.12	BD192 1.20	BF757 0.35	MPF104 0.35	OC88 0.55	TIP42A 0.44	1N4054 0.08	2N2947 0.21	2N4401 0.11
AC188 0.28	BC109 0.16	BC328 0.12	BD193 1.20	BF758 0.35	MPF104 0.35	OC89 0.55	TIP42A 0.44	1N4055 0.08	2N2948 0.21	2N4401 0.11
AC188 0.28	BC109 0.16	BC328 0.12	BD194 1.20	BF759 0.35	MPF104 0.35	OC90 0.55	TIP42A 0.44	1N4056 0.08	2N2949 0.21	2N4401 0.11
AC188 0.28	BC109 0.16	BC328 0.12	BD195 1.20	BF760 0.35	MPF104 0.35	OC91 0.55	TIP42A 0.44	1N4057 0.08	2N2950 0.21	2N4401 0.11
AC188 0.28	BC109 0.16	BC328 0.12	BD196 1.20	BF761 0.35	MPF104 0.35	OC92 0.55	TIP42A 0.44	1N4058 0.08	2N2951 0.21	2N4401 0.11
AC188 0.28	BC109 0.16	BC328 0.12	BD197 1.20	BF762 0.35	MPF104 0.35	OC93 0.55	TIP42A 0.44	1N4059 0.08	2N2952 0.21	2N4401 0.11
AC188 0.28	BC109 0.16	BC328 0.12	BD198 1.20	BF763 0.35	MPF104 0.35	OC94 0.55	TIP42A 0.44	1N4060 0.08	2N2953 0.21	2N4401 0.11
AC188 0.28	BC109 0.16	BC328 0.12	BD199 1.20	BF764 0.35	MPF104 0.35	OC95 0.55	TIP42A 0.44	1N4061 0.08	2N2954 0.21	2N4401 0.11
AC188 0.28	BC109 0.16	BC328 0.12	BD200 1.20	BF765 0.35	MPF104 0.35	OC96 0.55	TIP42A 0.44	1N4062 0.08	2N2955 0.21	2N4401 0.11
AC188 0.28	BC109 0.16	BC328 0.12	BD201 1.20	BF766 0.35	MPF104 0.35	OC97 0.55	TIP42A 0.44	1N4063 0.08	2N2956 0.21	

Pye Europa MF5FM high-band sets, complete but less mike and cradle. **£90 each plus £2 p.p. plus VAT.**

Pye M294 high-band FM sets, complete but less mike, speaker and cradle. **£150 each plus £2 p.p. plus VAT.**

Pye Reporter MF6 AM high-band sets, complete but less speaker and cradle. **£90 each plus £2 p.p. plus VAT.**

Pye Olympic M201 AM high-band sets, complete but less mike, speaker and cradle. **£90 each plus £2 p.p. plus VAT.**

Pye Westminster W15 FM G band 42-54 MHz sets, unused and like new, but less mike, speaker and cradle. **£65 each plus £2 p.p. plus VAT.**

Pye Westminster W15 AMD mid-band multi-channel sets, no mikes, speakers or cradles. **£45 each plus £2 p.p. plus VAT.**

Pye Westminster W15 AMD mid-band crystallised and converted to 129.9 MHz, 130.1 MHz, 130.4 MHz. Very good condition. **£120 each plus £2 p.p. plus VAT.**

Pye Westminster W15 AMD high-band and low-band sets available. Sets complete but less mikes, speakers and cradles. **£70 each plus £2 p.p. plus VAT.**

Pye Westminster W30 AM low-band sets only, no control gear. Sets complete and in good condition. **£45 each plus £2 p.p. plus VAT.**

Pye base station F30 AM, low band and high band available, remote and local control. **Prices from £220 plus VAT.**

Pye base station F401 high-band AM, local control, fully solid state, complete but less mike. **£275 each plus £15 p.p. plus VAT.**

Pye base station F9U, remotely controlled, 5 Watt output, UHF (440-470 MHz), single channel. **£90 each plus £5 p.p. plus VAT.**

Pye base station F412 UHF (440-470 MHz), 25KHz channel spacing, single channel, local control. **£250 each plus £15 p.p. plus VAT.**

Pye Beaver M254 high-band FM sets, 15 Watt, robust mobile radiotelephones for industrial use, sets complete but less crystals, as new condition. **£120 each plus £2 p.p. plus V.A.T.**

Pye Base Station type F9AM, remotely controlled, 5 watt output, high band & low band available. **£90 each plus VAT.**

Pye AC200 mains power unit for Olympic or Reporter, automatic standby power facility with trickle charging and built-in quartz digital clock. **£95 each plus £5 p.p. plus VAT.**

Pye PC1 radiotelephone controller, good condition, two only at **£50 each plus £2 p.p. plus VAT.**

Pye Tulip microphone as used on most base stations and PC1, 2400 ohm with ptt switch. **£15 plus £1 p.p. plus VAT.**

Pye PF1 UHF FM Pockefone receivers, 440-470 MHz, single channel, int. speaker and aerial. Supplied complete with rechargeable battery and service manual. **£6 each plus £1 p.p. plus VAT.**

Ni-Cad Batteries for Pye PF1, used but good condition, Rx (Yellow) £2 each Tx (Red). **£3 each plus £1 p.p. plus VAT.**

Pye Pockefone PF1 Battery Chargers, type BC14, 12 way with meter. **£10 each plus £1 p.p. plus VAT.**

Pye Pockefone PF1 Battery Chargers, type BC5 single charger, brand new. **£20 each plus £1 p.p. plus VAT.**

Pye single sideband HF Mobile Radiotelephone, type SSB130M, 100 W P.E.P. output, 6-channel, 2-15 MHz. Complete and new condition but less power unit. **£250 plus £10 p.p. plus VAT.**

Pye fixed station transmitter, type T100 FM, 'G' band 38.6-50 MHz, 100 W output, 25 KHz channel spacing. New condition. **£100 each plus £10 p.p. plus VAT.**

Pye Pockefone 70 type PF2UB, UHF Portables, complete with battery, aerial & mike, good condition. **£80 plus VAT. Sets only £50 plus VAT.**

Pye Pockefone 70 type PF2FM, low band, FM portables, sets complete but less battery, aerial & mikes, good condition. **£50 plus VAT.**

Pye Pockefone 70 type PF5, UHF portables, complete with batteries, good condition. **£45 plus VAT.**

Pye Pockefone type PF8 UHF handheld, complete but less batteries, single channel, 25 KHz channel spacing. **£90 each plus £1 p.p. plus VAT.**

Marconi signal generator type TF1064B/5, AM/FM covering three ranges 68-108, 118-185 and 450-470 MHz, good condition with service manual. **£125 plus VAT.**

Marconi AM/FM signal generator, type TF995A/3/S (CT402), 1.5-220 MHz, good condition with copy of service manual. **£95 each plus £15 p.p. plus VAT.**

Airmec millivolt meter, type 301. **£50 plus £2 p.p. plus VAT.**

Marconi HF Spectrum analyser, Type OA1094A/S 0-30 MHz. **£100 plus VAT (buyer collects).**

Servomex AC voltage stabiliser, type AC2, 240V @ 9 amp. **£45 each plus £15 p.p. plus VAT.**

Servomex AC voltage stabiliser, type AC7, 240V @ 20 amp. **£75 each plus £15 p.p. plus VAT.**

Garrad car cassette player mechanisms, 12V motor, stereo head. Brand new. **£2.50 each plus 50p p.p. plus VAT.**

Computer-grade electrolytic capacitors, screw terminals, 25,000mfd., 33 volts, brand new. **£1 each plus 50p p.p. plus VAT.**

60 amp alternator and general noise filters for use in vehicles. **£1 each plus 50p p.p. plus VAT.**

Modern telephones, type 746, with dials, colour grey, used but good condition. **£8 plus £1 p.p. plus VAT.**

Cigar lighter plug with lead. **£1 each plus 30p p.p. plus VAT.**

IC test clips, 28-way and 40-way, goldplated. **£2 each plus 30p p.p. plus VAT.**

Equipment wire, size 7/0.2mm, colour yellow, 500-metre reels. **£4 plus £1 p.p. plus VAT.**

Hartley Oscilloscope Type CT436, valved, DC to 6 MHz bandwidth. **£50 plus VAT.**

Power units, 70 volt @ 8 amp, 20 volt @ 3 amp. Brand new but no details. **£20 each plus £8 p.p. plus VAT.**

Beryllium block mounts for CCS1 valves, etc. **£10 each plus £1 p.p. plus VAT.**

MAINS TRANSFORMERS

Mains isolating transformer, 500VA 240V input, 240V C.T. output, housed in metal box. **£15 each plus £6 p.p. plus VAT.**

Mains isolating transformer, 240V tapped input, 240V 3 amp, plus 12V 0.5 amp output. **£20 each plus £6 p.p. plus VAT.**

Advance Volstat transformers, type CVN200/5, input 24 or 28V DC via inverter, output 220 or 240V RMS 150 watt, 50Hz. **£10 each plus £4 p.p. plus VAT.**

WANTED
Top prices paid for surplus
Pye radiotelephone
equipment

B. BAMBER ELECTRONICS

GOVERNMENT AND MANUFACTURERS' SURPLUS

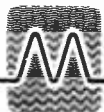
5 STATION ROAD
LITTLEPORT CAMBS CB6 1QE
Telephone: Ely (0353) 860185

ELECTRONIC COMPONENTS
TELECOMMUNICATION EQUIPMENT
TEST GEAR



WW27

WW060 - FOR FURTHER DETAILS



MICROWAVE MODULES LTD

DO YOU HAVE A REQUIREMENT FOR VHF/UHF RECEIVERS OR TRANSMITTERS?

We have a comprehensive range of professional quality FM receiver and transmitter units, which can be supplied either as working printed circuit boards for inclusion as a sub-assembly in a more complex unit or as complete encased products, to operate in the frequency ranges: 130-180 MHz and 400-500 MHz.

UNIT TYPE	AR21	AR71
Description	VHF FM Receiver	UHF FM Receiver
Frequency Range	130-180 MHz	400-500 MHz
Number of Channels Available	2 (6ch also available)	2 (6ch also available)
Sensitivity	0.25µV P.D. for 20dB Sinaid	
Selectivity	>80dB at ±25kHz	
Input Impedance	50 ohm	50 ohm
Audio Output Power	3 watts into 4 ohms	
Squelch Range	0.2-1.0µV	0.2-1.0µV
Supply Voltage	12.5 volts (11v min, 15.6v max)	
Current Consumption	50-600mA dependent on audio level	
Dimensions	135x123x26mm	

UNIT TYPE	AT25	AT75
Description	VHF FM Transmitter	UHF FM Transmitter
Frequency Range	130-180MHz	400-500MHz
Power Output	4 watts (normal) 0.5 watts (reduced)	2 watts (normal) 0.5 watts (reduced)
Output Impedance	50 ohm	50 ohm
Supply Voltage	12.5 volts (11v min, 15.6v max)	
Current Consumption	0.8 amps for 4w output 0.5 amps for 1w output	0.6 amps for 2w output 0.4 amps for 0.5w output
Dimensions	135x102x26mm	

UNIT TYPE	PRICE (exc. VAT)
AR21 VHF FM Receiver	£149
AR71 UHF FM Receiver	£177
AT25 VHF FM Transmitter	£84
AT75 UHF FM Transmitter	£110

The above items carry a 12 month guarantee, and we normally carry good stocks to ensure the minimum of delivery delays. If you have a requirement, or would be interested in quantity discounts, please contact our sales department.

MICROWAVE MODULES
BROOKFIELD DRIVE, AINTREE, LIVERPOOL L9 7AN, ENGLAND
Telephone: 051-523 4011 Telex: 628608 MICRO G

WW - 059 FOR FURTHER DETAILS

PPM5 20-PIN DUAL IN-LINE HYBRID



- Vcc 8.5V-35V at 3mA
- Only signal level and meter tolerance presets required
- Applications Note and full specifications on request

SURREY ELECTRONICS LTD.
The Forge, Lucks Green
Cranleigh, Surrey, GU6 7BG
Tel: 0483 275997

ELECTRON GUNS TV TUBE COMPONENTS

If you are Rebuilding or Manufacturing TV Tubes - We are the leading suppliers of Electron Guns and TV Tube Components to the TV Tube Industry. We specialise in all aspects of Electron Mount Technology.

Our product range includes more than 250 gun types for Colour, In Line, Mono and Display Tubes along with Mount Parts, Bases, Getters, Sealoffs, and all other associated items for TV Tube Production. A Full Technical Back-up and Advisory Service is available to all customers Worldwide.

Please request our current catalogues and Data Information.

GRIFTRONIC
EMISSION LTD

2 SWAN STREET
ALCESTER
WARWICKSHIRE
B49 5DP
ENGLAND

Telephone: (0789) 764852/764100. Telex: 312354 Grifem G

WW - 039 FOR FURTHER DETAILS

To obtain further details of any of the coded items mentioned in the Editorial or Advertisement pages of this issue, please complete one or more of the attached cards entering the reference number(s). Your enquiries will be passed on to the manufacturers concerned and you can expect to hear from them direct in due course. Cards posted from abroad require a stamp. These Service Cards are valid for six months from the date of publication.

Please Use Capital Letters

If you are way down on the circulation list, you may not be getting the information you require from the journal as soon as you should. Why not have your own copy?

To start a one year's subscription, you may apply direct to us by using the card at the bottom of this page. You may also apply to the agent nearest to you, their address is shown below.

OVERSEAS SUBSCRIPTION AGENTS

Australia: Gordon & Gotch (Australasia) Ltd, 380 Lonsdale Street, Melbourne 3000, Victoria

Belgium: Agence et Messageries de la Presse, 1 Rue de la Petite-ILE Brussels 7

Canada: Davis Circulation Agency, 153 St. Clair Avenue West, Toronto 195, Ontario

Cyprus: General Press Agency Ltd, 131 Prodromou Street, P.O. Box 4528, Nicosia

Denmark: Dansk Bladdistribution, Hovedvagtsgade 8, Dk. 1103 Kobenhavn.

Finland: Rautakirja OY, Koivuvaarankuja 2, 01840 Vantaa 64, Finland.

France: Dawson-France S.A., B.P. 40, F-91121, Palaiseau

Germany: W. E. Seabach GmbH, 5 Koln 1, Follerstrasse 2

Greece: Hellenic Distribution Agency, P.O. Box 315, 245 Syngrou Avenue, Nea Smyrni, Greece.

Holland: Van Ditmar N.V., Oostelijke Handelskade 11, Amsterdam 1004

India: International Book House, Indian Mercantile Mansion Ext, Madame Cama Road, Bombay 1

Iran: A.D.A., 151 Khaban Sorays, Tehran

Israel: Steimatzy's Agency Ltd, Citrus House, P.O. Box 628, Tel Aviv

Italy: Intercontinental s.a.s. Via Veracini 9, 20124 Milano

Japan: Western Publications Distribution Agency, 170 Nishi-Okubo 4-chome, Shinjuku-Ku, Tokyo 160

Lebanon: Levant Distributors Co., P.O. Box 1181, Makdesi Street, Halim Hanna Bldg, Beirut

Malaysia: Times Distributors Sdn. Bhd., Times House, 390 Kim Seng Road, Singapore 9, Malaysia.

Malta: W. H. Smith Continental Ltd, 18a Scots Street, Valleta

New Zealand: Gordon & Gotch (New Zealand) Ltd, 102 Adelaide Road, Wellington 2

Nigeria: Daily Times of Nigeria Ltd, 3 Kakawa Street, P.O. Box 139, Lagos

Norway: A/S Narvesens Kloskompani, Bertrand Narvesens vei 2, Oslo 6

Portugal: Livaria Bertrand s.a.r.l Apartado 37, Amadora

South Africa: Central News Agency Ltd, P.O. Box 1033, Johannesburg

Spain: Comercial Athenium s.s. Consejo de Cliento, 130-136 Barcelona 15

Sweden: Wennegren Williams A B, Fack S-104, 25 Stockholm 30

Switzerland: Neville & Cie SA, Rue Levrier 5-7, CH-1211 Geneva 1 Schmidt Agence AG, Savogelstrasse 34, 4002 Basle

U.S.A.: John Barios, Business Press International, 205 East 42nd Street, New York, N.Y. 10017

Postage will be paid by Licensee

Do not affix Postage Stamps if posted in Gt Britain, Channel Islands, N Ireland or the Isle of Man

BUSINESS REPLY SERVICE
Licence No 12045

WIRELESS WORLD
Reader Enquiry Service
Oakfield House
Perrymount Road
Haywards Heath
Sussex RH16 3DH
England

2

Enquiry Service for Professional Readers

WIRELESS WORLD Wireless World, July 1983 WW 8367

Please arrange for me to receive further details of the products listed, the appropriate reference numbers of which have been entered in the space provided.

WW	WW	WW
WW	WW	WW
WW	WW	WW
WW	WW	WW
WW	WW	WW
WW	WW	WW
WW	WW	WW
WW	WW	WW
WW	WW	WW
WW	WW	WW
WW	WW	WW
WW	WW	WW
WW	WW	WW
WW	WW	WW
WW	WW	WW
WW	WW	WW
WW	WW	WW
WW	WW	WW
WW	WW	WW
WW	WW	WW
WW	WW	WW
WW	WW	WW

Name

Name of Company

Address

Telephone Number

PUBLISHERS USE ONLY			A/E		
---------------------	--	--	-----	--	--

Position in Company

Nature of Company/Business

No. of employees at this establishment

I wish to subscribe to Wireless World

VALID FOR SIX MONTHS ONLY

Wireless World: Subscription Order Form

To become a subscriber to Wireless World please complete the reverse side of this form and return it with your remittance to:

**Subscription Manager,
Business Press International Ltd,
Oakfield House, Perrymount Road,
Haywards Heath, Sussex RH16 3DH,
England**

Enquiry Service for Professional Readers ONLY.

WIRELESS WORLD Wireless World, July 1983 WW 8367

WW	WW	WW
WW	WW	WW
WW	WW	WW
WW	WW	WW
WW	WW	WW
WW	WW	WW
WW	WW	WW
WW	WW	WW
WW	WW	WW
WW	WW	WW
WW	WW	WW
WW	WW	WW
WW	WW	WW
WW	WW	WW
WW	WW	WW
WW	WW	WW
WW	WW	WW
WW	WW	WW
WW	WW	WW
WW	WW	WW
WW	WW	WW
WW	WW	WW
WW	WW	WW
WW	WW	WW

Please arrange for me to receive further details of the products listed, the appropriate reference numbers of which have been entered in the space provided.

Name

Position in Company

Name of Company

Address

Telephone Number

Nature of Company/Business

No. of employees at this establishment

VALID FOR SIX MONTHS ONLY

Postage will be paid by Licensee

Do not affix Postage Stamps if posted in Gt Britain, Channel Islands, N Ireland or the Isle of Man

BUSINESS REPLY SERVICE
Licence No 12045

WIRELESS WORLD
Reader Enquiry Service
Oakfield House
Perrymount Road
Haywards Heath
Sussex RH16 3DH
England

2

Wireless World Subscription Order Form

Wireless World, July 1983 WW 8367

UK subscription rates

1 year: £14.00

Overseas 1 year: £17.00

USA & Canada subscription rates

1 year: \$44.00

Please enter my subscription to **Wireless World** for 1 year

I enclose remittance value made payable to

BUSINESS PRESS INTERNATIONAL Ltd.

Name

Address

Company Registered No: 151537 (ENGLAND)
Registered Office: Quadrant House, The Quadrant, Sutton, Surrey SM2 5AS

OVERSEAS ADVERTISEMENT AGENTS

Hungary Mrs. Edit Bajusz, Hungexpo Advertising Agency, Budapest XIV, Varosliget – Telephone: 225 008 – Telex: Budapest 22-4525 INTFOIRE

Italy Sig. C. Epis Etas-Kompass, S.p.a. – Servizio Estero, Via Mantegna 6, 20154 Milan – Telephone 347051 – Telex: 37342 Kompass

Japan Mr. Inatsuki, Trade Media – IBPA (Japan), B212 Azabu Heights, 1-5-10 Roppongi, Minato-Ku, Tokyo 106 – Telephone: (03) 585-0581

United States of America Ray Barnes, *Business Press International

205 East 42nd Street, New York, NY 10017 – Telephone: (212) 689 5961 – Telex: 421710

Mr. Jack Farley Jnr., The Farley Co., Suite 1548, 35 East Wacker Drive, Chicago, Illinois 60601 – Telephone: (312) 6 3074

Mr. Victor A Jauch, Elmatex International, P.O. Box 34607, Los Angeles Calif. 90034 U.S.A. Telephone: (213) 821 8581 Telex: 18 – 1059.

Mr. Jack Mentel, The Farley Co., Suite 605, Ranna Building, Cleveland, Ohio 4415 – Telephone: (216) 621 1919

Mr. Ray Rickles, Ray Rickles & Co., P.O. Box 2008, Miami Beach, Florida 33140 – Telephone: (305) 532 7301

Mr. Jim Parks, Ray Rickles & Co., 3116 Maple Drive N.E., Atlanta, Georgia 30305. Telephone: (404) 237 7432

Mike Loughlin, Business Press International, 15055 Memorials, Ste 119, Houston, Texas 77079 – Telephone: (713) 783 8673

Canada Mr. Colin H. MacCulloch, International Advertising Consultants Ltd., 915 Carlton Tower, 2 Carlton Street, Toronto 2 – Telephone (416) 364-2269

*Also subscription agents

MARCONI SIGNAL GENERATORS

TF2002A/S (illustrated) 10kHz-72MHz. AM/FM. £750
TF2002. As above but AM only. £450

MARCONI TF1066B. AM/FM Generator. 10-470MHz. 0.2uV-200mV output. FM Deviation up to ±100kHz. £550

MARCONI TF995A/5. AM/FM Generator. Narrow deviation model 995 covering 1.5-220MHz. £450. TF2015. 10-520MHz. AM/FM.

MARCONI TF1064B/5. AM/FM Signal generator covering in three ranges 68-108, 118-185 and 450-470MHz. FM fixed deviations of 3.5 & 10kHz. AM fixed 30%. £225

'DOLBY' NOISE WEIGHTING FILTERS

Cat. No. 98A. Noise weighting filters for CCIR/ARM signal-to-noise ratio measurements. As new units. £40 each (+£1 p&p).

BECKMAN TURNS COUNTER DIALS

Miniature type (22mm diam.). Counting up to 15 turn "Helipot". Brand new with mounting instructions. Only £2.50 each.

'VARIAC'S' - SPECIAL PURCHASE

We now have a stock of used but excellent condition, fully tested, variable (0-260V) transformers at the following ratings.

ZENITH (non-enclosed) 8A £25.00+£2.50 pp
ZENITH (enclosed) 8A £26.00+£2.50 pp
BERCO (non-enclosed) 6A £24.00+£2.50 pp

Also available, small quantity of Heavy Duty and 3 Phase Variacs. P.O.A.

AUDIO WATTMETERS

Switchable 1W & 10W FSD. Internal 3.5 & 8 Ohm load impedances. Housed in grey enamelled case 6x6x3". Large easy to read 3" sq. meter. Scope output provision. £10 (+£1).

HEATHKIT Model AW-IJ. Internal load switchable 3, 8, 15 & 600 Ohm. Meter scaled 0-50W (+dB scale). 5 Ranges from 5mW-50W FSD. Mains powered. £25 (+£1).

MARCONI TF893A. 1mW-10W Full scale in 5 ranges. Impedances 2.5-20K Ohm in 48 steps. Direct calibration in Watts and dBm. £85 (+£2).

GPO JACK SOCKET STRIPS. 20-Way Type 320 (3-pole) £2.50 ea. Type 520 (3-pole with switching contacts) £4 ea. Please include 35p each for postage on these. GPO type 316 jack plugs for above 20p ea. (10+ post free). Plus VAT please. Also recent stock of new, mint condition 720 Type, £6 each.

CONSTANT VOLTAGE TRANSFORMERS

'ADVANCE VOLSTAT'; Type, Model MT140A. Mains input 190-260V AC. Output 230V AC @ 150W. Price each £20 + VAT + £2 carriage.

P. F. RALFE ELECTRONICS
10 CHAPEL STREET, LONDON, NW1 TEL: 01-723 8753

'ADVANCE' 'SCOPES' - SPECIAL OFFER

A bulk purchase of Advance series 'scopes' enables us to offer the following fully reconditioned, guaranteed units as follows.

- OS2000 25MHz single-trace plug-in. 1 only £160.
- OS2100 30MHz dual-trace. 10mV/cm. plug-in £230.
- OS2100 2MHz 50uV/cm Differential plug-in £200
- OS2200 25MHz dual-trace. STORAGE SCOPE £325.

N.B. All these prices INCLUDE 15% VAT. Securicor despatch if required + £10. SAE for full spec. Selection of other oscilloscopes available ex-stock.

- MARCONI TF2210 dual-trace 100MHz Sweep-delay £450+
- DYNAMCO 10MHz battery portable dual-trace £250+

- AIRMEC 4 Trace Display Oscilloscope Type 279 (17" CRT).
 - MARCONI TF2343A Quantization Distortion Meter.
 - MARCONI TF2015 AM/FM Signal Generator. 10-520MHz.
 - HEWLETT-PACKARD Multi-Function Digital Meter. 3450A.
 - SERVOMEX VLF Function Gen. .002Hz-2KHz. Variable Phase.
 - HEWLETT-PACKARD AM Signal Generator. 10-480MHz. 608C.
 - ROHDE & SCHWARZ AM Signal Generator. 0.3-1GHz. 'SDR'.
 - TELONIC 1006 Sweep Generator. 450-850MHz.
 - TGL Spectrum Analyser Types SA108 & 102. 0-500MHz.
- Brand new units. Use with CRO having external X-input. POA.

BELL & HOWELL MICROFICHE VIEWERS

Type SR5. Screen size 9x5". Re-cent small quantity now avail. £55

DISC CARTRIDGES

BASF 12-Segment Single Hard Disc Cartridges. Brand new surplus stock. £20 ea.

MUIRHEAD FACSIMILE UNITS

MUFAX 'COURIER' facsimile receiver type K441-CH and transmitter K400 AMCH in stock in excellent condition.

PLEASE NOTE. All the pre-owned equipment shown has been carefully tested in our workshop and reconditioned where necessary. It is sold in first-class operational condition and most items carry a three months' guarantee. For our mail order customers we have a money-back scheme. Repairs and servicing to all equipment at very reasonable rates. PLEASE ADD 15% VAT TO ALL PRICES.

DC POWER SUPPLIES

APT. Ex-computer supplies. Program variability 6-30V DC (secondary taps & resistor). Connections supplied. Three sizes available, 5A, 7 1/2A & 10A. Prices £20, £25, and £30 respectively (p&p £3.50).

FARNELL. Current limited. 13-17VDC @ 2A £15. 27-32V @ 1A £10. 12V @ 1A £10 (+ £1.50 p&p).

COULTANT 5V @ 5A (7 x 5 x 3"). £20 (+ £1 p&p).

VARIABLE 0-30V @ 1A. Volt-metered. £25 (+ £1).

FARNELL 5V switching @ 60 Amps. (Measures 13 x 5 x 6"). Recent special purchase £50 only (+ £3 p&p).

MULLARD Dual ±12V @ 1A @ 0.4A, £10 (+£1).

STEPPER MOTORS

Brand new stock of 'ASTROSYN' Type 20PM-A055 stepper motors. 28V DC. 24 steps per rev. 15 oz-in torque @ 100PPS. Body length 2 1/2", diameter 2", shaft 1/4" diam x 4/4" spirally threaded. Weight 16oz. Price each £15 (p&p 50p). Connections supplied.

MILLI-VOLT MEASUREMENT, ANALOGUE

- MARCONI TF2600. Twelve ranges 1mV-300V FSD. Wide-band to 10MHz.
- MARCONI TF2603. Frequency range 50kHz-1.5GHz. High Sensitivity from 300uV.
- MARCONI TF2604. Electronic Multi-meter. AC/DC 300mV Full scale to 300V (1kV DC). Resistance ranged. AC Frequency range 20Hz-1500MHz.

BRUEL & KJOER

Model 2006 Heterodyne Voltmeter. AM/FM/Voltage measurements to 240MHz.

CLAUDE LYONS 240V AC REGULATORS

Small quantity available of constant voltage mains regulators. Continuous current rating 5A. Model no. CVR-1200. Input 204-252V. Output adjustable 200-254V AC ± 0.3%. 45-65Hz. Condition as new. (Dims - 11" x 7" x 6"). Weight 20Kgs). Price £95 ea. + Carriage £5.

ROTRON INSTRUMENT COOLING FANS

- Supplied in excellent condition, fully tested.
- 115V, 4.5x4.5x1.5" £4.50. 230V £5. 115V. 3x3x1.5" £4 + postage ea. 35p.
- Also brand new 230V at £6 ea.

ww-10

DECADE BOXES

- RESISTANCE
 - 1040 0.1% 1Ω - 100MΩ
 - 1041 0.1% 0.01Ω - 1KΩ
 - 1061 1% 1Ω - 1.2MΩ
- CAPACITANCE
 - 1070 1% 100pF - 10uF
 - 1071 1% 10pF - 100uF

Also makers of CALIBRATION, PROGRAMMABLE AND ATE INSTRUMENTS

TIME ELECTRONICS DIRECT SALES
BOTANY IND. EST., TONBRIDGE, KENT. 0732 355993
WW - 062 FOR FURTHER DETAILS

FUSES, WIREWOUND RESISTORS

British-made by Beswick, Osborne
Stock items available at 30% extra discount
Also Carbon film resistors (Asian) stock items available at 50% extra discount
Send or phone for stock lists

Our regular lines always available:
Audible Warning Devices (single sample price including vat and postage shown in brackets)
Banshees (£23), Cybertones (£11), Solotones (£4), Bleeptones (£7), Minileeps (£8), Multimounts (£3.50)
Markers Sleeves - pvc, silicone rubber, neoprene, etc., printed or plain
Elma range of Collet knobs, dials, etc.
Crimp terminals. R.f. Chokes (Greendale)
Pcb self-adhesive guides, 18.5mm wide x any length

Write, call or phone (0732) 851345

NOVAPRODUCTS (APB Ltd)
Crystalate Works, Golden Green, Tonbridge, Kent TN11 0LH
Member Crystalate Group

WW - 038 FOR FURTHER DETAILS

METAL FILM RESISTORS

100R	1k	10k	100k
110R	1k1	11k	110k
120R	1k2	12k	120k
130R	1k3	13k	130k
150R	1k5	15k	150k
160R	1k6	16k	160k
180R	1k8	18k	180k
200R	2k	20k	200k
220R	2k2	22k	220k
240R	2k4	24k	240k
270R	2k7	27k	270k
300R	3k	30k	300k
330R	3k3	33k	330k
360R	3k6	36k	-
390R	3k9	39k	-
430R	4k3	43k	-
470R	4k7	47k	470k
510R	5k1	51k	-
560R	5k6	56k	560k
620R	6k2	62k	-
680R	6k8	68k	680k
750R	7k5	75k	-
820R	8k2	82k	820k
910R	9k1	91k	1M

1/4 Watt, 1% tolerance, 3p each. 89 Values, E24, see left. Minimum order £20. Minimum 10 pcs per value. VAT, P&P incl.

SPECIAL OFFER
10 pcs of each value, 890 pcs
£25.30

SPECIAL 'POP' PACK
100 pcs: 100R, 1K, 4K7, 10K, 47K, 100K, 1M. 50 pcs: 330R, 470R, 1K5, 2K2, 3K3, 22K. Total 1000 pcs. £28.50.

One of each pack £50 only

ORION SCIENTIFIC LTD - 16 Orange Street - London WC2H 7ED
WW - 036 FOR FURTHER DETAILS

COMPUTER WAREHOUSE

THE 'ALADDIN'S' CAVE OF COMPUTER AND ELECTRONIC EQUIPMENT

HARD DISK DRIVES

Fully refurbished Diablo/DRE Series 30 2.5 mb hard disk drive for DEC RKO5, NOVA, TEXAS etc
Front load £550.00 - Top load £295.00
PSU type ME3029 for 2 drives £125.00
DRE 44A/4000A/B 10 mb 5+5 all configurations from £995.00. Call sales office for details.

5 AMP MAINS FILTERS

Cure those unnerving hang ups and data glitches caused by mains interference. Matchbox size - Up to 5 amp 240 v load. As recommended by the ZX81 rewriter. Suppression Devices SDSA £5.95

COOLING FANS

Keep your hot parts COOL and RELIABLE with our range of BRAND NEW professional cooling fans.
ETRI 99XU01 Dim 92 x 92 x 25 mm. Miniature 240 v equipment fan complete with finger guard. £9.95.
GOLD JB-3AR Dim 3" x 3" x 2.5" compact very quiet running 240 v operation. NEW £6.95
BUHLER 69.11.22 8-16 v DC micro miniature reversible fan. Uses a brushless servo motor for extremely high air flow, almost silent running and guaranteed 10,000 hr life. Measures only 62 x 62 x 22 mm. Current cost £32.00. **OUR PRICE ONLY £12.95 complete with data.**
MUFFIN-CENTAUR standard 4" x 4" x 1.25" fan supplied tested EX EQUIPMENT 240 v at £6.25 or 110 v at £4.95 or BRAND NEW 240 v at £10.50. 1000's of other fans Ex Stock. Call for Details. Post & Packing on all fans £1.60

DISTEL ©

The UK's FIRST free of charge, 24 hr. public access data base. Get information on 1000's of stock items and order via your computer and credit card. On line now, 300 baud. CCITT tones, full duplex, fully interactive.

**DON'T MISS THOSE BARGAINS
CALL NOW, IT'S FREE!**
01-683 1133 7 days per week 24 hrs per day
8 BIT WORD - NO PARITY

COMPUTER 'CAB'



All in one quality computer cabinet with integral switched mode PSU, Mains filtering, and twin fan cooling. Originally made for the famous DEC PDP8 computer system costing thousands of pounds. Made to run 24 hours per day the PSU is fully screened and will deliver a massive +5v DC at 17 amps. +15v DC at 1 amp and -15v DC at 5 amps. The complete unit is fully enclosed with removable top lid, filtering, trip switch, 'Power' and 'Run' LEDs mounted on Ali front panel, rear cable entries, etc. etc. Units are in good but used condition - supplied for 240v operation complete with full circuit and tech. man. Give your system that professional finish for only £49.95 + Carr. Dim. 19" wide 16" deep 10.5" high. Useable area 16" w 10.5" h 11.5" d. Also available LESS PSU with internal dim. 19" w. 16" d. 10.5" h. £19.95" Carriage & insurance £9.50.

8" FLOPPY DISK DRIVES



Unbelievable value the DRE 7100 8" floppy disk drives utilise the finest technology to give you 100% bus compatibility with most drives available today. The only difference being our PRICE and the superb manufacturing quality!! The 7100 single sided and 7200 double sided drive accept hard or soft sectoring IBM or ANSI standard formats giving a massive 0.8 MB (7100) 1.6 MB (7200) of storage. Absolutely SHUGART, BASF, SIEMANS etc. compatible. Supplied BRAND NEW with user manual and full 90 day warranty. Carriage and insurance £9.75.

7100 Single sided £225.00 + Carr 7200 Double sided £295 + Carr
Optional accessories: Full technical manual £20.00 alone. £10.50 with drive. Refund of difference on drive purchase. DC and AC power connector and cable kit £8.45. 50 way IDC connector £5.50. 50 way ribbon cable £3.20 per metre.

RECHARGEABLE BATTERIES

CYCLON type D001 sealed lead acid maintenance free 2v 2.5 ah. Will deliver over 300 amps on short circuit!! Brand new at only £2.95

VIDEO MONITORS

12" CASED. Made by the British KGM Co. Designed for continuous use as a data display station, unit is totally housed in an attractive brushed aluminium case with ON-OFF, BRIGHTNESS and CONTRAST controls mounted to one side. Much attention was given to construction and reliability of this unit with features such as, internal transformer isolated regulated DC supply, all components mounted on two fibre glass PCB boards - which hinge out for ease of service, many internal controls for linearity etc. The monitor accepts standard 75 ohm composite video signal via SC239 socket on rear panel. Bandwidth of the unit is estimated around 20 Mhz and will display most high del graphics and 132 x 24 lines. Units are secondhand and may have screen burns. However where burns exist they are only apparent when monitor is switched off. Although unguaranteed all monitors are tested prior to despatch. Dimensions approx 14" high x 14" wide by 11" deep. Supplied complete with circuit. 240 volt AC operation. **ONLY £65.00 PLUS £9.50 CARR.**

24" CASED. Again made by the KGM Co with a similar spec as the 12" monitor. Originally used for large screen data display. Very compact unit in lightweight alloy case dim 19" H x 17" D x 22" W. All silicon electronics and composite video input make an ideal unit for schools, clubs, shops etc. Supplied in a used but working condition. **ONLY £55.00 PLUS £9.50 CARR. 6 INS.**
14" COLOUR SUPERB ch: sss monitor made by a subsidiary of the HITACHI Co. Inputs are TTL RGB with separate sync and will plug direct into the BBC micro etc. Exceptional bandwidth with good 80 col. definition. Brand new and guaranteed. Complete with full data & circuit. 240 v AC working. Dim. 14" x 13" x 13". **ONLY £199.00 PLUS £9.50 CARR.**

SUPER DEAL? NO - SUPER STEAL!!

The FABULOUS 25CPS TEC Starwriter Daisy wheel printer at a fraction of its original cost.

BRAND NEW AT ONLY £499+ VAT

Made to the very highest spec the TEC Starwriter FP1500-25 features a heavy duty die cast chassis and DIABLO type print mechanism giving superb registration and print quality. Micro-processor electronics offer full DIABLO/QUME command compatibility and full control via CPM Wordstar etc. Many other features include bi directional printing, switchable 10 or 12 pitch, full width 381 mm paper handling with upto 163 characters per line, friction feed rollers for single sheet or continuous paper, internal buffer, standard RS232 serial interface with handshake. Supplied absolutely BRAND NEW with 90 day guarantee and FREE daisy wheel and dust cover. Order NOW or contact sales office for more information. Optional extras: RS232 data cable £10.00, Tech manual £7.50, Tractor feed £12.00, Spare daisy wheel £3.00, Carriage & Ins (UK Mainland) £10.00.



TELETYPE ASR33 I/O TERMINALS

FROM £195 + CAR + VAT
Fully fledged industry standard ASR33 data terminal. Many features including ASCII keyboard and printer for data I/O auto data detect circuitry, RS232 serial interface, 110 baud, 8 bit paper tape punch and reader for off line data preparation and ridiculously cheap and reliable data storage. Supplied in good condition and in working order
Options: Floor stand £12.50 + VAT
KSR33 with 20ma loop interface £125.00 + Sound proof enclosure £25.00 + VAT

SOFTY 2

The amazing SOFTY2. The complete "toolkit" for the open heart software surgeon. Copies, Displays, Emulates ROM, RAM and EPROMS of the 2516, 2532 variety. Many other features include keyboard, UHF modulator, Cassette interface etc. Functions exceed capabilities of units costing 7 times the price! Only **£169.00** pp £1.95 Data sheet on request

DATA MODEMS

Join the communications revolution with our range of EX TELECOM data modems. Made to most stringent spec and designed to operate for 24 hrs per day. Units are made to the CCITT tone spec. With RS232 i/o levels via a 25 way D' skt. Units are sold in a tested and working condition with data. Permission may be required for connection to PO lines.

MODEM 13A compact, async, same size as telephone base. Up to 300 baud, full duplex over 2 wires, but call mode only £75.00
MODEM 2B/C Fully fledged, up to 300 baud async, ANSWER & CALL modes, auto answer, auto switching, ideal networks etc. Just 2 wire connection to comms line. £85.00
MODEM 20-1 Compact unit for use with PRESTEL or full duplex 2 wire link 75 baud transmit - 1200 baud receive. Auto answer. £130.00
MODEM 20-2 same as 20-1 but 75 baud receive 1200 baud transmit. £130.00
MODEM 20-3 Made for data rates up to 1200 baud in full duplex mode over 4 wire circuit or half duplex mode over 2 wires. £130.00. Carriage. 13A £4.50 2B/C & 20 £9.50.

DATA PUMP MODEM compact unit upto 1200 baud full duplex over 4 wires or half duplex over 2 wires. BELL specification with data i/o via RS232 25 way D socket, remote test etc. 240 v operation. Supplied complete with data £65.00 carr. £4.50

For more information or details of other types of ex. stock modems contact sales office

8" WINCHESTER price SLASH

Worldwide purchasing brings you two amazing Winchester SCOOPS at prices that will likely NEVER be repeated. **BAOSF 6172 8" 24 Mb.** Complete unit consists of micro-processor controlled logic on 3 PCBs for all read/write and servo control functions. Fast data transfer is by the BASF 'Disk Bus' interface on a single 40 way multiplexed i/o bus. Units have been carefully removed from believed working equipment, but at the staggering price of **ONLY £99.00** are sold without guarantee. Supplied complete with 200 page + tech. Manual. Dim 45 x 22 x 11 cm. DC requirements +5v, +12v, +24v. Carriage and ins. £10.00

S100 Bus 19 Mb. Subsystem. A cancelled order and change of policy by a major British disk drive manufacturer enables us to offer you 'last year's model' at a plug in and ready to go SUPER LOW PRICE. Our own custom controller pugs direct into the S100 bus and will control 2 disk drives, offering a total storage of OVER 36 Mb/s! and at data transfer rates in excess of 7 Mb/sec seeing is believing!! Supplied complete with user configurable BIOS etc. Save a fortune. Limited quantity only.

3100 19 Mb. Disk drive £499.00 PSU unit £165.00
CD1100 controller & BIOS £345.00 PSU extension cable £9.95
Full tech Manual £20.00

Special SUBSYSTEM prices. 1 x 3100 disk + PSU + Controller £799.00
or 2 x 3100 disks + 2 PSU + Controller £1295.00
All prices + VAT and carriage. 90 day guarantee. Data on request.

ALL PRICES PLUS VAT

All prices quoted are for U.K. Mainland, paid cash with order in Pounds Sterling PLUS VAT. Minimum order value £2.00. Minimum Credit Card order £10.00. Minimum BONAFIDE account orders from Government depts., Schools, Universities and established companies £20.00. Where post and packing not indicated please ADD 60p + VAT Warehouse open Mon-Fri 9.30 - 5.30. Sat. 10.15 - 5.30. We reserve the right to change prices and specifications without notice. Trade, Bulk and Export enquiries welcome.

SEMICONDUCTOR 'GRAB BAGS'

Mixed Semis amazing value contents include transistors, digital, linear, I.C.'s triacs, diodes, bridge recs, etc. etc. All devices guaranteed brand new full spec, with manufacturer's markings, fully guaranteed. 50 + £2.95 100 + £5.15. TTL 74 Series A gigantic purchase of an "across the board" range of 74 TTL series I.C.'s enables us to offer 100+ mixed "mostly TTL" grab bags at a price which two or three chips in the bag would normally cost to buy. Fully guaranteed all I.C.'s full spec. 100+ £6.90 200+ £12.30 300+ £19.50

CALLING DEC USERS

Brand new and boxed RSX11M 3.2 Documentation kits, fill 3 feet of your bookshelf! Under half price only **£120.00** carr. £6.50 0 vat on manuals.

We are always keen to buy all types of used or surplus DEC equipment.

DISPLAY
-ELECTRONICS-

64-66 Melfort Road, Thornton Heath, Near Croydon, Surrey
01-689 7702 - 01-689 6800 Telex 27924



WW - 064 FOR FURTHER DETAILS

HART ELECTRONIC

LINSLEY-HOOD 300 SERIES AMPLIFIERS



These latest designs from the drawing board of John Linsley-Hood, engineered to the very highest standard, represent the very best that is available on the kit market today. The delicacy and transparency of the tone quality enable these amplifiers to outperform on a side-by-side comparison, the bulk of amplifiers in the commercial market-place and even exceed the high standard set by his earlier 75-watt design.

Three versions are offered, a 30-watt with Darlington output transistors, and a 35- and 45-watt, both with Mosfet output devices. All are of identical outside appearance which is designed to match and stack with our Linsley-Hood cassette recorder 2.

As with all Hart kits the constructor's interests have been looked after in a unique way by reducing the conventional (and boring) wiring almost to the point of extinction. Any of these kits represents a most cost-effective route to the very highest sound quality with the extra bonus of the enjoyment of building a sophisticated piece of equipment.

30-watt Darlington amplifier, fully integrated with tone controls and magnetic pick-up facility. Total cost of all parts is £81.12. Special offer price for complete kits is £65.

35-watt Mosfet amplifier. Total cost of parts £98.41. Special offer for complete kits £79.50.

45-watt Mosfet amplifier. Total cost of parts £104.95. Special offer price for complete kits £83.50.

(Reprints of original Articles from Hi-Fi News 50p. Post free. No VAT. Reprints of MOSFET article 25p. No V.A.T. Post free.

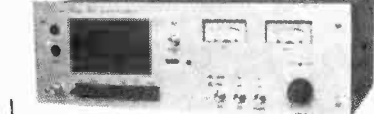
'P.W. WINTON' TUNER AND AMPLIFIER



Snaazzy matching slimline tuner and amplifier in beautiful wooden cabinets. These Ted Rule designs are for the enthusiast. Tuner covers LW, MW, SW, FM and TV sound. Digital frequency readout with clock and timer features. FM has 6 section front end and switchable bandwidth for exceptional fringe area performance. Amplifier has Toroidal transformer, Mosfet output stages, 50 watts per channel and got a cracking review in Practical Wireless.

Tuner, Complete Kit..... £163
Amplifier, Complete Kit..... £98

LINSLEY-HOOD CASSETTE RECORDERS



We have done two kits to this design, one using the original car cassette mechanism and the newer version using a very high quality front loading deck. This new deck has an excellent W & F performance and fitted with our latest Sendust Alloy Super Head gives an incredible frequency range (with good tape you can see 23KHz on ours!).

Linsley-Hood Cassette Recorder 1..... £75.00
Linsley-Hood Cassette Recorder 2..... £94.90
Reprints of 'WW' Articles..... 70p. No VAT

Please Note: New Phone Number: (0691) 652894

Personal callers are always very welcome but please note that we are closed all day Saturday

THIS MONTH'S SPECIAL OFFER

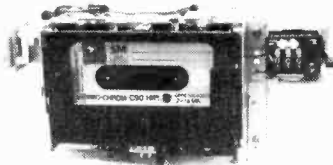
COMPLETE STEREO CASSETTE DECK

Brand-new high-quality stereo cassette unit with built-in record and play electronics. Ideal for use with any hi-fi system or music centre. Only a single 9-volt DC supply is required to power the whole unit.

Microphone and line inputs are provided on both channels and the line output will feed into any normal hi-fi amplifier. Erase and bias is provided by an ultrasonic oscillator, automatically switching to the correct level when a chrome or ferric cassette is put in place. Overall size 180mm x 130mm x 73mm. Complete with 3-digit counter.

We value this deck at about £30. OUR VERY SPECIAL PRICE INCLUDING VAT AND POSTAGE - THIS IS ALL YOU PAY - ONLY £18.34 (while stocks last).

FEED YOUR MICRO BYTES WITH OUR SOLENOID CONTROLLED CASSETTE DECK



Front loading deck with full solenoid control of all functions including optional read in fast wind modes. 12 volt operation. Fitted 3-digit memory counter and Hall IC Motion Sensor. Standard erase and stereo R/P Heads. Cheapest price ever for all these features. Only £38.90 plus VAT. Full technical specification included.

LINSLEY-HOOD 100 WATT POWER AMPLIFIER

Our complete kit for this brilliant new design is the same size as our Linsley-Hood Cassette Recorder 2. Kit includes all parts for two power amplifiers with large heatsink area, huge power supply and speaker protection circuit. Total cost of all parts is £114.48 but our special introductory price for all parts bought together is only £105.50.

HIGH QUALITY REPLACEMENT CASSETTE HEADS



Do your tapes lack treble? A worn head could be the problem. Fitting one of our replacement heads could restore performance to better than new! Standard mountings make fitting easy and our TC1 Test Cassette helps you set the azimuth spot-on. We are the actual importers which means you get the benefit of lower prices for prime parts. Compare us with other suppliers and see! The following is a list of our most popular heads, all are suitable for use on Dolby machines and are ex-stock.

HC20 Permalloy Stereo Head. This is the standard head fitted as original equipment on most decks..... £4.25
HM90 High Beta Permalloy Head. A hard-wearing, higher performance head with metal capability..... £6.20
HS16 Sendust Alloy Super Head. The best head we can find. Longer life than Permalloy, higher output than Ferrite, fantastic frequency response..... £8.20
HQ351 4-Track Head for auto-reverse or quadrophonic use. Full specification record and playback head..... £7.40
Please consult our list for technical data on these and other Special Purpose Heads.

STUART TAPE CIRCUITS

(For reel-to-reel decks)

These circuits are just the thing for converting that old valve tape deck into a useful transistorised recorder. Total system is a full three head recorder with separate record and replay sections for simultaneous off tape monitoring. We also stock the heads. This kit is well engineered but does not have the detailed instructions that we give with our more recent designs. We would not therefore recommend it to beginners. Reprints of the original three articles 45p. Post free. No VAT.

HART TRIPLE-PURPOSE TEST CASSETTE TC1

One inexpensive test cassette enables you to set up VU level, head azimuth and tape speed. Invaluable when fitting new heads. Only £3.80 plus VAT and 50p postage.

Tape Head De-magnetiser. Handy cassette size mains operated unit prevents build up of residual head magnetisation causing noise on playback..... £3.68

CASSETTE MOTORS

Brand New Governed 12v DC Tape Drive Motor Type MMI-6A2LK.

As used in SF925 and many other decks. 40mm Dia x 35mm Long. Shaft 10.5mm long x 2mm Dia. 6 x 2.5mm Mounting Holes on 26mm PCD on shaft end face. Anti-clockwise rotation at rated speed of 2200 RPM. Free run current 25mA. £4.85 each.

Full details of the entire range of HART products is contained in our illustrated lists.

Ask for your FREE copy NOW.

Enquiries for lists are also welcome from overseas but please let us have three IRCs to cover the cost of surface post or 5 IRCs for airmail.

In a hurry? A telephone order with credit card number placed before 3 p.m. will be despatched THAT DAY!

Please add part cost of Post, packing and insurance as follows:

INLAND	OVERSEAS
Orders up to £10 - 50p	Postage at cost plus £2
Orders £10 to £49 - £1	documentation and handling
Orders over £50 - £1.50	

PLEASE ADD VAT TO ALL PRICES

HART ELECTRONIC

HART ELECTRONIC KITS LTD.
OSWESTRY, SHROPSHIRE SY10 9AF

FSK HIGH PERFORMANCE

Teletype Modems

HF/SSB

Selective Calling Systems

SOLID STATE 500W-1000W

Linear Amplifiers



PROFESSIONAL
EQUIPMENT

COMPATIBLE WITH MOST EXISTING HF/SSB SYSTEMS.



Aero Electronics (AEL) Ltd.

Galwick House, Horley, Surrey, England RH6 9SU
Telephone: Horley (02934) 5353 Telex: 87116 (Aero G)
Cables: Aerocon Telex Horley

WW - 006 FOR FURTHER DETAILS

EASIBINDERS

Quick, neat and easy!

It's so easy and tidy with the Easibind binder to file your copies away. Each binder is designed to hold six issues and is attractively bound and blocked with the WIRELESS WORLD logo. Price U.K. £4.30 including postage, packing and V.A.T. Overseas orders add 35p per binder.

Nat. Giro No. 5157552.

Please allow 3/4 weeks for fulfilment of order.

Payment by ACCESS/BARCLAYCARD/VISA. Send coupon below detailing credit card no. and signature.

Why not place your order now? Send the completed coupon below with remittance payable to:

Easibind, 42 Hoxton Square, London N1 6NS

Order Form WIRELESS WORLD

I enclose P.O./cheque value..... for..... binders

Years required.....
BLOCK LETTERS PLEASE

Name.....

Address.....

Date..... Registration No. 735718

Appointments

Advertisements accepted up to 12 noon Tuesday, July 5th, for August issue, subject to space available.

DISPLAYED APPOINTMENTS VACANT: £15.50 per single col. centimetre (min. 3cm).
LINE advertisements (run on): £3 per line, minimum £20 (prepayable).
BOX NUMBERS: £3 extra. (Replies should be addressed to the Box Number in the advertisement, c/o Quadrant House, The Quadrant, Sutton, Surrey SM2 5AS).
PHONE: IAN FAUX, 01-661 3033 (DIRECT LINE)

Cheques and Postal Orders payable to BUSINESS PRESS INTERNATIONAL LTD. and crossed.



ECM

ALWAYS AHEAD WITH THE BEST!

£5,000-£18,000

- ★ **Where does your interest lie:** Communications; Computers; Weapons; Radar; Nav. Aids; Data-Comms; Image Processing; Medical; Telemetry; Simulation; Satcom; Local Area Nets.
- ★ **Experienced in:** Mini/Microprocessor Hardware or Software; Digital and Analogue circuitry; RF and Microwave techniques?
- ★ **There are opportunities in:** Design; Test; Sales and Service for Engineers and Managers.
- ★ **First call:** MIKE GERNAT or JOHN SANDERS on 076 384 676/7.

ELECTRONIC COMPUTER AND MANAGEMENT APPOINTMENTS LIMITED
148-150 High St., Barkway, Royston, Herts SG8 8EG

(1926)

Newham Health Authority
Newham Hospital
Glen Road
Plaistow
London, E.13

MEDICAL PHYSICS TECHNICIAN

£6,728-£8,522 inclusive

This full-time post will be the first appointment to this grade in the District. Initially the postholder will be responsible for the dismantling, re-assembling and testing of equipment being disinfected or sterilised in CSSD.

However, the successful applicant will be qualified in electronics and will also be responsible for servicing equipment at Newham Maternity Hospital, a service which is intended to expand to serve the District.

Application form and job description from:

District Personnel Department
St Clement's Hospital
Bow Road
London E3 4LL
Tel. 01-980 4899, ext. 7

Closing date: July 13th, 1983

(2157)

CAPITAL APPOINTMENTS LTD

THE UK'S No. 1 ELECTRONICS AGENCY

If you have HNC/TEC or higher qualifications and are looking for a job in design, test, customer service, technical sales or similar fields:

Telephone now for our free jobs list
We have vacancies in all areas of the UK
Salaries to £15,000 pa

01-637 5551 or 01-636 9659
(24 hours)

Or if you prefer send a FULL CV to:

CAPITAL APPOINTMENTS LTD
29-30 WINDMILL STREET, LONDON W1P 1HG

(291)

TECHNICAL WRITER

and

CTV, AUDIO, VIDEO HOME COMPUTER ENGINEERS

We invite applications from candidates with manufacturing or servicing experience in the brown goods industry. Technical Writer applicants must also have brown goods experience, with recognised technical qualifications. Candidates should have the ability to communicate technical information to the consumer, and will have responsibility to write, rewrite service manuals for a variety of brown goods, a flair for technical graphics would be an advantage.

Applications in writing, full cv, personal snapshot and salary requirements, to:

Box No. 2154

Appointments

CUT THIS OUT!

Clip this advert and you can stop hunting for your next appointment. We have a wide selection of the best appointments in Digital, Analogue, RF, Microwave, Micro-processor, Computer, Data Comms and Medical Electronics and we're here to serve *your* interests.

Call us now for posts in Design, Sales, Applications or Field Service, at all levels from £6,000-£16,000.



Technomark
Engineering & Technical Recruitment

11 Westbourne Grove, London W2. Tel: 01-229 9239.

1935

THE UNIVERSITY OF PAPUA NEW GUINEA – PORT MORESBY

Applications are invited from suitably qualified persons for the post of Senior Technical Officer in the Department of Physics. The successful applicant will be expected to join a technical group involved in carrying out electrical-electronic maintenance to scientific departments and facilities within the University. A proven record of experience is required covering maintenance and servicing in a wide range of teaching and research instrumentation commonly used in Bio-Medical Sciences. The Department of Physics houses modern and well-equipped electronics and teaching workshops to facilitate the work envisaged. He/she will be required to supervise and provide on-the-job training to national Papua New Guinean technical staff. Applicants should have a Higher National Certificate in Electrical/Electronics Engineering or equivalent qualification. Possession of a valid driving licence will be desirable.

Salary: K16,645 per annum plus gratuity. (£1 sterling = K1.3195)

Applications will be treated as strictly confidential and should include a full curriculum vitae, a recent small photograph and the names and addresses of three referees.

Three-year contract. Gratuity entitlement based on 24% of salary earned and payable in instalments or lump sum and taxed at a flat rate of 2%. Benefits include: support for approved research; rent-free accommodation; appointment and repatriation airfares for appointee and dependents; financial assistance towards the cost of transporting personal effects to and from PNG; six weeks' annual recreation leave with home airfares available after each 18 months' of continuous service; generous education subsidies for children attending schools in PNG or overseas; a salary continuation scheme to cover extended illness or disability. Applicants who wish to arrange secondment from their home institutions will be welcome.

Applications should be forwarded to the Assistant Secretary (Staffing), University of Papua New Guinea, PO Box 320, UNIVERSITY, to reach him no later than 30 June, 1983. Applicants resident in the UK should also send one copy to the Overseas Educational Appointments Department, The British Council, 90-91 Tottenham Court Road, London W1P 0DT, quoting reference U78/83.

RF SERVICE ENGINEER

We are responsible for all aspects of sales, service and warranty in Europe for the Plasma Therm range of RF generators, plasma processing equipment and inductively coupled plasma systems throughout UK, Europe and Scandinavia. The Plasma Therm product range is a market leader in its field and has an enviable track record of profitable growth and product innovation.

THE JOB. RF service engineer based in London to provide RF service and technical support throughout UK, Europe and Scandinavia. The candidate should be a self starter, willing and able to work on his own, and be able to trouble-shoot and solve problems in the field.

REMUNERATION. The right candidate will be offered an attractive financial package to include a performance-related bonus scheme, pension and a company car.

Applications and cvs should be addressed to:

Mr J. F. Stackhouse
PLASMA THERM LTD.
Kangley Bridge Road, Sydenham
London SE26 5AR

(2156)

THIS ADVERTISEMENT

IS AS NEAR TO THE TRUTH AS ANYBODY PAID TO EXAGGERATE DARES PUBLISH.

Our client company is in the Military Defence Industry. They produce electro-optical surveillance and detection systems embracing thermal imaging; other day/night vision aids with laser integration.

SO WHAT'S THE ATTRACTION

The company's vigorous buccaneer spirit is reflected in a full order book – 80 per cent exports. To maintain this position new products must follow. A business development group has been formed to ensure that successful high technology concepts are generated to create a range of products which will satisfy the market demands of the future. They now require:

APPLIED RESEARCH ENGINEERS

GRADUATES WITH EXPERIENCE or ability to produce new concepts, to take designs to the breadboard proving stage. Applications and topics are varied. For example circuits for image processing modern laser applications, displays (CRT, PLASMA or LCD), designs incorporating the latest MPUs or high-volume memories.

SUFFICIENTLY SCIENTIFIC to contribute to the thinking of top-notch boffins in the field of infra-red and work to principles necessary for multi-disciplinary design.

SUFFICIENTLY COMMERCIAL to accept a high level of project responsibility in a design that you intend to be a world leader.

The type of experience you will gain in this demanding and forward thinking environment is sufficient to direct young people of ambition to a successful and highly creative career path.

SALARY will reflect the contribution the engineer can make.

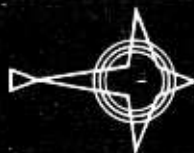
LOCATION: London's Green Belt.

FOR FURTHER DETAILS, ETC.:

Charles Airey Associates

Tempo House, 15 Falcon Road, Battersea, London SW11 2PJ
Telephone: 01-223 7662 or 228 6294

(1357)



CHELTON
(ELECTROSTATICS) LIMITED

Following a management buyout and success of our new U.S.A. subsidiary we need additional

AVIONICS DESIGN ENGINEERS

(Both Electrical and Mechanical)

also

Draughtsman (M/F) and Technical Author

For development projects which include:

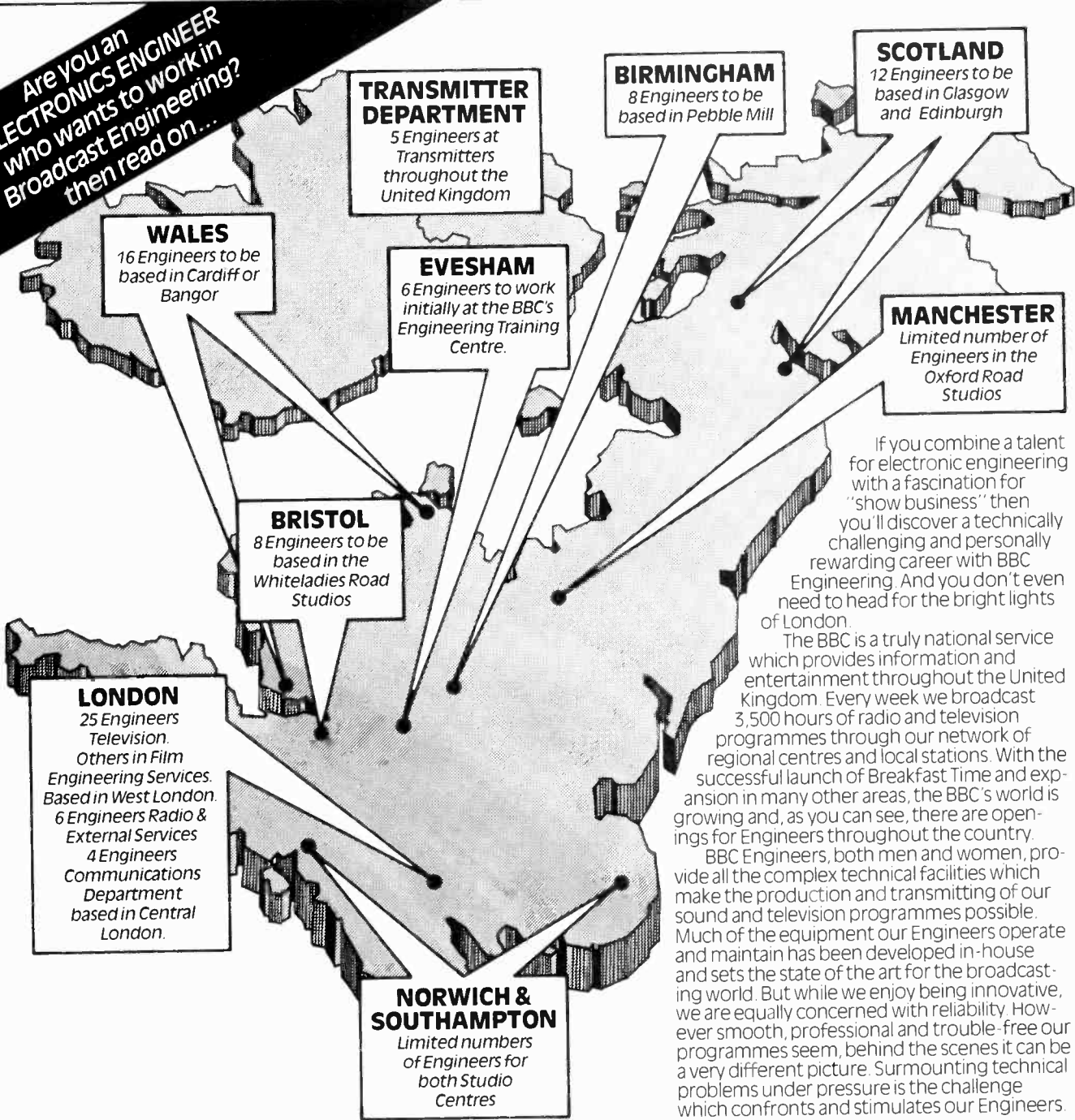
- ★ Airborne and Ground Antennas and Arrays, both passive and active, covering H.F. to Microwaves
- ★ Specialised Receivers for Homing and A.D.F. Systems
- ★ Automatic Tuning Units: R.F. Filter Networks
- ★ Bus Controlled Microprocessor Logic Devices
- ★ Specialised Test Sets for own and other Products
- ★ Operation and extension of our Polar Diagram Range

We will pay high salaries for skilled and motivated staff
Employment available at both our Marlow and Plymouth works

Please write in the first instance to:
TECHNICAL DIRECTOR, CHELTON LIMITED
MARLOW, BUCKS SL7 1LR

(2165)

Are you an **ELECTRONICS ENGINEER** who wants to work in Broadcast Engineering? then read on...



If you combine a talent for electronic engineering with a fascination for "show business" then you'll discover a technically challenging and personally rewarding career with BBC Engineering. And you don't even need to head for the bright lights of London.

The BBC is a truly national service which provides information and entertainment throughout the United Kingdom. Every week we broadcast 3,500 hours of radio and television programmes through our network of regional centres and local stations. With the successful launch of Breakfast Time and expansion in many other areas, the BBC's world is growing and, as you can see, there are openings for Engineers throughout the country.

BBC Engineers, both men and women, provide all the complex technical facilities which make the production and transmitting of our sound and television programmes possible. Much of the equipment our Engineers operate and maintain has been developed in-house and sets the state of the art for the broadcasting world. But while we enjoy being innovative, we are equally concerned with reliability. However smooth, professional and trouble-free our programmes seem, behind the scenes it can be a very different picture. Surmounting technical problems under pressure is the challenge which confronts and stimulates our Engineers.

NATIONAL COVERAGE

The Engineering Recruitment Officer, BBC, Broadcasting House, London W1A 1AA.

Name _____

Address _____

Tel. no. _____ Age _____

My qualifications are Electrical/ Electronics Degree HND/ HNC Electrical Engineering
 Higher TEC Diploma Electronics C&G/ FTC 271

I am currently working as _____

I would prefer to work in WALES/ SCOTLAND/ LONDON/ UK GENERAL
 Please quote ref B3 E 4068 in any covering correspondence

We are an equal opportunities employer.

You will need to be qualified with a UK degree in Electrical Engineering or Electronics or an equivalent HNC or Higher TEC Diploma in Electronics. Normal hearing and colour vision are essential for a career in Broadcast Engineering.

Salaries are currently under review and are in the range £7314 to £7892 in London and £6384 to £6962 outside London, depending upon experience. These are anticipated to rise to a basic of £7750 in London and £6720 outside London. Shift allowances are in addition to the above basic salaries.

BBC engineering

Making an Art of Technology

Satellite Communications

- Spacecraft Systems • Communications Systems
- Antenna Design • Radar and Signal Processing
- Electronic Circuit Design
- RF and Microwave Equipments
- Mechanical, Thermal and Dynamics Design

Recently awarded contracts have created a need for immediate expansion of on-site facilities and the design team. Some senior appointments have been filled from within, but there are still opportunities for Engineering Managers and Group Leaders to head up additional teams now being formed.

At Senior Engineer/Engineer

levels there are several vacancies in each of the above work areas.

Qualifications required are Degree/HND/HNC in a relevant discipline, plus experience. Excellent salaries and comprehensive range of benefits are offered, together with relocation assistance if required. Please complete the coupon below, and send it to:

Jack Burnie, Marconi Space and Defence Systems, Browns Lane, The Airport, Portsmouth, Hants. Tel. Portsmouth 674019.

(All posts are open to both male and female applicants)

Design Engineers

Name _____

Address _____

Age _____ Telephone (Home) _____ (Work) _____

Qualifications _____

Area of interest (please tick)

- Spacecraft Systems RF and Microwave Equipments
 Communications Systems Radar/Signal Processing
 Antenna Design Electronic Circuits (VHF/UHF)
 Structures: Mechanical Thermal Dynamics

Ref BL 73

Marconi
Space & Defence Systems



BORED ?

Then change your job!

- 1) **Film-TV Equipment**
Installation and maintenance of studio and TV equipment. UK and abroad.
- 2) **Satellite Communications**
Test Engineers required with experience of digital circuitry. £7,700. Surrey.
- 3) **Microcomputers and Peripherals**
Service Engineers required £8-£10,000 Camberley.
- 4) **Data Communications**
Service of microprocessor-based equipment. £8,000+ car. Reading.
- 5) **Service Personnel (RAF, RM, Army)**
We have many clients interested in employing ex-service fitters and technicians at sites throughout the UK. Phone for details.
- 6) **£500 per week**
We are paying very high rates for contract design and test engineers who have a background in RF, MICROWAVE, DIGITAL, ANALOGUE or SOFTWARE, at sites throughout the UK.
Hundreds of other Electronic and Computer Vacancies to £12,500
Phone or write:
Roger Howard, C.Eng.,
M.I.E.E., M.I.E.R.E.
CLIVEDEN CONSULTANTS
87 St. Leonard's Road, Windsor, Berks.
Windsor (07535) 58022 (5 lines) (1640)

CLIVEDEN

HAMMERSMITH AND FULHAM HEALTH AUTHORITY

CHARING CROSS HOSPITAL

Senior Chief Technician

INCLUSIVE SALARY SCALE:
£9,898-£11,395

Applications are invited for the above post which carries responsibility for the day-to-day administration of the technician staff in the Medical Electronics Section of the Medical Physics Department.

The main duties are associated with equipment management which includes maintenance, electrical safety testing and evaluation of new equipment. Extensive use is made of a minicomputer for record keeping and work scheduling.

Applicants should have considerable experience of electronic equipment and should currently be in charge of an equipment maintenance section. The successful applicant will probably have a degree, HNC or HND in Electronic Engineering and will be appointed on the Medical Physics Technician I scale.

For further information please telephone Mr. C. G. Carter, Senior Electronics Engineer, on 01-748 2040, Ext. 2598.

For an application form and job description please contact the District Personnel Department, Brandenburg House, 116 Fulham Palace Road, London, W.6. Tel: 01-748 2040, Ext. 2992.

Closing date: June 24, 1983. (2140)

Premier international electronics companies - very secure and expanding in London and the south of England - require professional senior staff (including departmental heads). Relocation allowance up to £3,000.

ELECTRONIC ENGINEERS

Electronic engineers required with degree - H.N.C. - tech. cert. - O.N.C. Almost any background required but software and hardware experience will bring salary of absolute minimum of £6,500 p.a. and could be up to £11,000 p.a.

ELECTRONIC DESIGN/DEVELOPMENT

Engineers required with experience of circuit or component design or development for microwave equipment or digital logic or computer peripherals or electronic packaging or film technology or telecommunications. Also above for updating in modern techniques. Salaries up to £15,000.

SOFTWARE PROGRAMMERS & ENGINEERS

Engineers or mathematicians required for development of commissioning and design proving programmes from assistant to team leader level. Salaries up to £12,000 p.a.

Please contact by telephone, or letter, to discuss companies and possibilities. Watford 49456 anytime.

(2146)

GORE MANAGEMENT SERVICES LTD

SELECTION & TRAINING CONSULTANTS
218 St Albans Road, Watford, Herts.
Tel: Watford 49456

IMPERIAL COLLEGE ELECTRONICS TECHNICIAN GRADE 5

The post is in a robotics and machine tool group and the work includes the construction of logic circuits. It also includes prototype work on robot and machine tool systems. Experience with microcomputers would be an advantage.

Appointment until October 1985 in the first instance with good prospects of further extension.

Starting salary in the Scale £7229 to £8236 (inclusive) according to qualifications and experience.

Applications to:
Professor T. M. Husband
Department of Mechanical
Engineering
Imperial College
London SW7 2BX

(2134)

LOGEX ELECTRONICS RECRUITMENT

Specialists in Field & Customer Engineering appointments, all locations and disciplines.

Logex House, Burleigh, Stroud
Gloucestershire GL5 2PW
0453 883264 & 01-290 0267

(24 hours)

R & D OPPORTUNITIES. Senior level vacancies for Communications Hardware and Software Engineers, based in West Sussex. Competitive salaries offered. Please ring David Bird at Redifusion Radio Systems on 01-874 7281. (1162)

Systems Engineer

Sony Broadcast, one of the world's leaders in professional broadcast television equipment and systems, are undergoing a planned programme of expansion. As a result of continued growth and success, we are now looking for experienced engineers to join our Systems department. The successful applicants will join a young and enthusiastic team involved in the design, manufacture and commissioning of complex static and mobile television systems. This is a challenging and responsible position and candidates should have direct experience of sound and television principles, gained in operational television or its allied manufacturing industry.

If you like the thought of enjoying the success of one of the world's leaders in Broadcast technology, together with an attractive salary and benefits package, then write with details of career and current salary to Mike Jones, Senior Personnel Officer, Sony Broadcast Limited, City Wall House, Basing View, Basingstoke, Hampshire RG21 2LA. Telephone (0256) 55011

SONY
Broadcast



Sony Broadcast Ltd.

City Wall House
Basing View, Basingstoke
Hampshire RG21 2LA
United Kingdom
Telephone (0256) 55 0 11

Attractively situated in a semi-rural area in one of the Home Counties, our client is engaged in the research, development and manufacture of a wide range of advanced systems for guided weapons, satellites and electronic warfare. The company is one of Britain's most successful and prestigious companies who have recently acquired major new contracts which necessitate the recruitment of people to work on state-of-the-art projects in the following disciplines:

Satellite Communications and E.W. c. £9K to £17K

DESIGN AND DEVELOPMENT ENGINEERS

For interesting work in the design and development of digital circuits, or analogue circuits, or D to A and A to D converters. Or VLS, to discrete circuits or logic circuits; also for packaging and thermal design of components and assemblies.

SOFTWARE ENGINEERS AND PROGRAMMERS

For software design associated with INTEL 8085 and 8086 microprocessor based real time systems or computer modelling and simulation, or data analysis.

SYSTEMS ENGINEERS

To deal with the definition of engineering and performance requirements, algorithm development, simulation and modelling, trials co-ordination and data analysis associated with complex, high-technology systems.

You would join a young, informal, enthusiastic team, working in a pleasant environment, producing state-of-the-art designs at the forefront of technology using the very latest techniques and equipment to get the utmost performance. The rapid rate of change within the industry would ensure you will be constantly dealing with interesting new challenges and will be able to expand on the expertise you have already acquired.

MICROWAVE ENGINEERS

To work on advanced satellite communications or electronic warfare systems involving frequencies up to 40GHz on active or passive devices such as FET amplifiers, solid state oscillators, filters, couplers, frequency synthesisers, mixers, solid state multiplexers, and transmitters.

PROJECT ENGINEERS

To work on major projects using PERT techniques, with access to computer facilities in a demanding and stimulating environment.

MANAGERS AND TEAM LEADERS

This includes vacancies for **PROJECT MANAGERS, DEPUTY PROJECT MANAGERS, ENGINEERING MANAGER, PRODUCT SUPPORT MANAGER, PROJECT LEADERS, AND TEAM LEADERS** in most of the above disciplines.

For an early interview please telephone FRED JEFFRIES C.Eng. M.I.E.R.E. in complete confidence on: HEMEL HEMPSTEAD (0442) 212655 (five lines) during office hours or on HEMEL HEMPSTEAD (0442) 49909 evenings or weekends (not an answering machine). Alternatively write to him at the address below.



Executive
Recruitment
Services

29-33 Bridge Street, Hemel Hempstead, Herts HP1 1EG. Tel: (0442) 212655 (5 lines)

WIRELESS WORLD JULY 1983

Appointments

ADVANCED TELECOMMUNICATIONS:

careers with extensive scope at Cheltenham

Join the Government Communications Headquarters, one of the world's foremost centres for R & D and production in voice/data communications ranging from HF to satellite - and their security. Some of GCHQ's facilities are unique and there is substantial emphasis on creative solutions for solving complex communications problems using state-of-the-art techniques including computer/microprocessor applications. Current opportunities are for:

Telecommunication Technical Officers

Two levels of entry providing two salary scales: £5980-£8180 and £8065-£9085

Minimum qualifications are TEC/SCOTEC in Electronics/Telecommunications or a similar discipline or C & G Part II Telecommunications Technicians Certificate or Part I plus Maths B, Telecommunications Principles B and either Radio Line Transmission B or Computers B or equivalent: ONC in Electrical, Electronics or Telecommunications Engineering or a CIE Part I Pass, or formal approved Service technical training. Additionally, at least four years' (lower level) or seven years' (higher level) appropriate experience is essential in either radio communications or radar, data, computer or similar electronic systems. At the lower entry level first line technical/supervisory control of technicians involves "hands-on" participation and may involve individual work of a highly technical nature. The higher level involves application of technical knowledge and experience to work planning including implementation of medium to large scale projects.

Radio Technicians

£5232-£7450

To provide all aspects of technical support. Promotion prospects are good and linked with active encouragement to acquire further skills and experience. Minimum qualifications are a TEC Certificate in Telecommunications or equivalent plus two or more years' practical experience. Cheltenham, a handsome Regency town, is finely-endowed with cultural, sports and other facilities which are equally available in nearby Gloucester. Close to some of Britain's most magnificent countryside, the area also offers reasonably-priced housing. Relocation assistance may be available.

For further information and your application form, please write to

Recruitment Office
GCHQ Oakley, Priors Road
Cheltenham, Gloucestershire GL52 5AJ
or phone 0242 21491, Ext. 2269.



Solid State Logic

Stonesfield · Oxford · England

Solid State Logic Limited manufactures a world-beating range of computer-assisted sound mixing consoles for the record and broadcast industries. Our customers world wide demand an efficient and flexible service which is provided with enthusiasm and is aided by our computerised information systems

Senior Test Engineer

We are looking for an engineer with experience of professional audio equipment and microprocessor-based digital and analogue systems to augment our expanding test facilities.

Applicants must have a proven track-record and be able to match the high standards of our products.

Please write or phone for an application form. 0993 89 8282

(2135)

Phenomenal growth at our Radlett site, in the field of computerised medical imaging equipment, combined with international design authority to meet worldwide demand has created a unique position for a

DESIGN ENGINEER To £12K

Responsible for establishing complete on-site design programmes through to the manufacturing stage for high performance C.R.T. monitors used in new project/product introduction.

Applicants should have experience in monitor design or support.

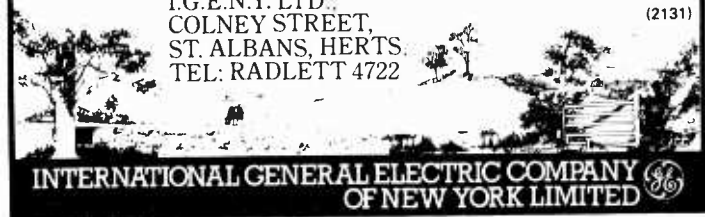
You should hold an HND/BSc together with 2/5 years relevant industrial experience.

Opportunities for development into either technical, management or support functions are excellent.

Please write enclosing career details, or telephone Malcolm Lakin, Personnel Department

I.G.E.N.Y. LTD.
COLNEY STREET,
ST. ALBANS, HERTS.
TEL: RADLETT 4722

(2131)



SALES ENGINEER

CEL urgently require a field sales engineer to assist with the sales and support of a widening range of digital video products. Based at Saffron Walden, the post will involve work both at our factory and throughout the UK and Europe.

The successful applicant will have extensive knowledge of video equipment in general (ideally both broadcast and non broadcast) and be able and willing to work alongside a wide variety of operational situations.

An excellent remuneration package is on offer to the right person.

Applications in confidence to:

P. A. Rutter
Sales & Marketing Director
CEL Electronics Limited
Chroma House
Shire Hill
Saffron Walden
Essex



(2136)

RADIO ENGINEER

To work as a technical adviser with a Latin American organisation for education by radio, with 40 affiliated radio stations in 17 countries.

The engineer will initially be based in Quito, Ecuador and will later travel to radio stations in other countries. The job consists of planning and running training courses for local technicians in maintenance of mainly small, short and medium wave transmitters, aerials and studios.

Applicants should have radio engineering experience, gained in a broadcasting environment: the post will demand skills in training people with non-technical backgrounds and in planning and improvising equipment. Spanish speakers especially welcome, but language training can be provided.

The post is initially for three years on a basic salary. Because of extensive travel, it is unlikely to suit applicants with families. CIIR will provide orientation and language training, insurance, air-fares and various allowances.

For a job description and application form, please send a brief cv to CIIR Overseas Programme, 22 Coleman Fields, London N1 7AF, quoting ref WW/2.

(2141)

Telecommunications Technicians

Up to £9,830

The posts available are varied, but broadly they fall into two groups at three different locations.

HANSLOPE PARK (MILTON KEYNES) and CENTRAL LONDON

for installation, maintenance and other work associated with HF communications equipment, VHF, UHF and microwave links and associated test equipment; teleprinters, telephone subscribers' apparatus, PMBXs, PAXs, PABXs and ancillary equipment including that using analogue and digital techniques and voice frequency telegraph.

CROWBOROUGH, SUSSEX

for maintenance and operation of high power, medium and short wave broadcasting transmitters and associated equipment.

Applicants should normally have four years' relevant experience, and must hold one or more of the following:

- ★ ONC in Engineering (with pass in Electrical Engineering 'A')
- ★ ONC in Applied Physics
- ★ TEC/SCOTEC certificate
- ★ City & Guilds Telecommunications Technicians Certificate Part II (Course No 271) or Part 1 plus Maths 'B', Telecommunications Principles 'B' and one other subject.
- ★ a pass in the Council of Engineering Institutions Part I examination
- ★ an equivalent or higher relevant qualification

Ex-Service personnel who have had suitable training and at least three years' appropriate service (as Staff Sergeant or equivalent) will also be considered.

Salary: £6,262-£8,580, London £1,250 more, starting salary may be above minimum for those with additional relevant experience. Promotion prospects are good. Relocation assistance may be available.

For an application form (to be returned by 4 July, 1983) write to:

Foreign & Commonwealth Office, Hanslope Park, Hanslope, Milton Keynes MK19 7BH, or telephone Milton Keynes (0908) 510444 Ext 232. Please quote reference YHU/030/TT5.

Foreign & Commonwealth Office

ELECTRICAL/ELECTRONIC QUALITY ENGINEER

Directly responsible to Quality Manager for all quality aspects of the Company including audits, defect analysis, production test specifications, vendor ratings and sampling plans. Age group 25-45 preferred with experience of MOD Quality Procedures. Should have experience of day-to-day problem solving in electronic/electrical manufacturing environment.

SENIOR TEST TECHNICIAN

Age 30 plus with ONC or equivalent qualification to test/repair our wide ranging Company product. Test will involve both analogue and digital techniques and may be PCB or system to component level.

The successful applicant will be able to derive test methods from technical specifications.

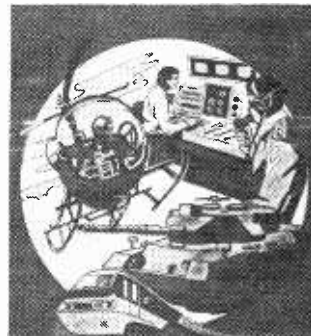
Both positions carry attractive salaries which are negotiable, commensurate with age and experience.

Please send for application form, forward a CV or telephone for further information asking for Terry Jude.

We specialise in the design and manufacture of electronic and electrical assemblies for Home Office, London Transport and the Ministry of Defence (approved to 05-21)



Cranborne Road
Potters Bar, Herts
(0707) 58288



(2166)

HALF INCH VCR ENGINEER

VCL Communications Ltd have a vacancy for a Half Inch VCR Engineer at their duplication facility in Central London.

Requirements:

Applicants should be experienced, preferably manufacturer or facility trained and be able to work with minimum supervision.

Salary:

Negotiable, depending on ability and experience.

Other Benefits:

Bupa, Social Club, etc.

Phone or write to Dave Smith, VCL Communications, VCL House, 9a Dallington Street, London EC1. Tel: 01-251 6131.

(2139)

ARTICLES FOR SALE

FIELD ELECTRIC LTD.

3 SHENLEY ROAD
BOREHAMWOOD, HERTS
01-953 6009

Specialist for PC and stepping motors, fans, blowers, AC capacitors, relays, microswitches, linear and switched mode power supplies, VDUs, keyboards, test equip, electric and geared motors.

Send sae for full list

(2156)

EX WD Radio equipment and test equipment. Over 500 sets in stock from £8. Send 50p for illustrated catalogue (including £1 voucher). Weirhead Ltd. 129 St. Albans Road, Watford, Herts. Tel: Watford (0923) 49436. (1974)

ENCAPSULATING EQUIPMENT FOR coils, transformers, components, degassing silicone rubber, resin, epoxy. Lost wax casting for brass, bronze, silver, etc. Impregnating coils, transformers, components. Vacuum equipment, low cost, used and new. Also for CRT regunning metallising. Research & Development. Barratts, Mayo Road, Croydon CR0 2QP. 01-684 9917. (9678)

HYDROKIT

Hydraulic Flypress Conversion



Complete Hydraulic Kits comprising: Power Pack, Control Valve, Ram, Hoses and Fittings. Suitable for many applications including Flypress Conversions. Working pressure 2,000 p.s.i. 2-10 tons. Stroke 4in. Adjustable relief valve. Power pressure and return.

PRICE FROM £428

"HYDROKITS" ARE COMPLETE

Just remove arm of press and operate screw shaft, fit hydraulic ram assembly with manual valve (all supplied), fill with hydraulic oil and connect to power source, 13 amp or 3-phase. Send details of press or ask for questionnaire.



TAVISHEIM HYDRAULICS INTERNATIONAL LIMITED
Hyppress House, Station Close, Potters Bar, Herts. EN6 1TL. Tel. Potters Bar (0707) 43434 (1735)

SERVICE MANAGER SERVICE ENGINEER

MEDICAL LABORATORY EQUIPMENT

Due to continuing expansion of the medical division within the UK, Greiner have vacancies for the above positions.

Either position would suit applicants already working as service engineers on electro-mechanical instruments, or persons employed in medical/biochemical laboratories and familiar with automatic analysers.

Applicants should have mechanical aptitude and a good working knowledge of digital electronics. Ability to work with the minimum of supervision and a willingness to travel, for short periods, within the UK, will be expected.

In addition, those applying for the Service Manager position should also be capable of organisation and control of a service department offering virtually immediate response.

Competitive salaries will be offered, together with a company car. Full product training will be given in the UK and Switzerland.

Please write, giving details of experience, qualifications and past career, to:

GREINER ELECTRONICS (GB) LTD.

185 Angel Place
London N18 2UD
Tel: 01-803 8432



Greiner

(2152)

BROADCAST

"Scattered or sown over the General Surface"

Broadcasting these days tends to refer to those people scattering information rather than barley, but then much has changed! If you could be interested in changing then here is a small sample of the positions we have within our Communications division.

RF Components Designer to £14,500 **Rural Southern England**
To design very sophisticated components used by the communication industry. Ref: 046/1

Cable TV Systems Designer £16,000
To work on major proposals for Cable TV with a very successful TV/Telecomms Group. Ref: 046/2.

Cable TV Network Planner £22,000
To control a group planning and proposing major Cable franchises. Ref: 046/3.

Video Project Leader £17,000
Design and Development of video equipment used in the field of surveillance, etc. Ref: 046/4.

RF Engineer £14,000 **Rural N. England**
Designing an RF based system for use in para-medical field. Ref: 046/5.

RF/Telecomms/TV (Cable & National) Audio + Speech Synthesis Engineers
Required throughout UK. Many for smaller and unusual companies.

Telephone Paul Hecquet on Lewes (07916) 71271 or write to him to broadcast your own potential.



The Electronics Recruitment Company

Temple House
25/26 High Street, Lewes
East Sussex BN7 2LU
Tel: Lewes (07916) 71271

(2145)

BORED ?

Then change your job!

1) TV/Broadcast Equipment
Test engineers with knowledge of digital circuitry wanted to work on studio products. Up to £9,000. - Hants.

2) Materials Testing Equipment
Senior test engineer required to test range of machines, which include microprocessor-based control systems. Experience of analogue and digital systems needed. £9,000-£10,000. - Bucks.

3) Medical Equipment
Installation and field service of a variety of equipment. Experience of analogue, digital and control circuitry. £7-£9,000 + car.

4) Security Systems
Maintenance Engineers required repairing to component level. CMOS and TTL logic with experience of microprocessors. Circa £7,500. - Berkshire.

5) Radar Systems
Test engineers needed for work on radar equipment. c. £8,000. - Middx.

6) Audio Equipment
Service engineers with experience of maintaining audio systems required. N.W. London. c. £10,000.

7) Data Communications
Field service of microprocessor-based Modems and associated equipment. £8,000 + car. - Reading.

Hundreds of other Electronic and Computer Vacancies to £12,500

Phone or write:
Roger Howard, C. Eng.,
M.I.E.E., M.I.E.R.E.

CLIVEDEN CONSULTANTS
87 St. Leonard's Road, Windsor, Berks.
Windsor (07535) 58022 (5 lines) (2167)

CLIVEDEN

ARTICLES FOR SALE

THE SCIENTIFIC WIRE COMPANY

811 Forest Rd, London, E.17. Tel: 01-531 0574

ENAMELLED COPPER WIRE				
SWG	1lb	8oz	4oz	2oz
8 to 34	£3.63	£2.09	£1.10	£0.88
35 to 39	£3.82	£2.31	£1.27	£0.93
40 to 43	£6.00	£3.20	£2.25	£1.61
44 to 47	£3.67	£5.80	£3.49	£2.75
48	£15.96	£9.58	£6.38	£3.69
SILVER PLATED COPPER WIRE				
14 to 30	£3.09	£5.20	£2.93	£1.97
TINNED COPPER WIRE				
14 to 30	£3.97	£2.41	£1.39	£0.94
Fluxcore Solder	£5.90	£3.25	£1.82	£0.94

Prices include P & P, and VAT. Orders under £2 add 20p.
S.a.s. for list of copper and resistance wire. Dealer enquiries welcome (9063)

TECHNICAL TRAINING FOR TELEVISION

Thames Television will be running its Technical Training Scheme beginning October 1983. The course will be of 9 months duration and posts will be available in the following areas:-

1. Technical operations covering VTR, Telecine, Vision Control and maintenance.
2. Studio Sound Operations.
3. Film Editing.

The course will consist of 5 months broad based training and 4 months specialist training and will take place at the Training Centre, Teddington, with additional experience gained on attachment at each of the Company's sites.

Salary during training will be 1-3 months £5,500 per annum, 4-9 months £6,300 per annum.

Successful Trainees will then be absorbed into operational departments at one of the Company's sites and go on to a salary structure applicable to the grade.

Candidates should preferably be 20-30 years of age and have academic qualifications, specialist training or experience relevant to their chosen area.

Thames is an equal opportunity employer and these vacancies are open to all male and female candidates regardless of national/ethnic origin and marital status.

For an application form and further details please send a large stamped addressed envelope to:-



LONDON'S WEEKDAY ITV

Mike Allen,
Personnel Department,
Thames Television Limited,
Broom Road,
Teddington Lock,
Middlesex.

ARTICLES FOR SALE

Analogue integrated circuit design on a single chip. Phone Four-D Limited on 0279-29246. 2159

GOULD OS 300 Double Beam Oscilloscope including external probe, used once only. For more details telephone Mrs Kedge on Burgess Hill (04446) 47717. (2142)

VALVES, PROJECTOR Lamps, 6000 types, list 75p, world wide export. Cox Radio (Sussex) Ltd., The Parade, East Wittering, Sussex. Phone (02436) 2023. (1991)

LINSLEY HOOD DESIGNS

75Watt and 100W amps
Audio Signal Generators

75Watt amp p.c.b. £2.30
100Watt Mosfet p.c.b. £4.00

p&p 50p

S.A.E. for leaflets

TELERADIO ELECTRONICS
325 Fore Street, London N9 0PE (1762)

ARTICLES FOR SALE

TEXAS TTL DATA BOOK

Vois 1 & 2 1983, £18.50

ELECTRONICS ENGINEER'S REFERENCE BOOK by Mazda, 1983 £56.00

PUBLIC ADDRESS HANDBOOK by V. Capel £8.95

DOMESTIC VIDEOCASSETTE RECORDERS - A SERVICING GUIDE by S. Beeching £15.00

INTRODUCTION TO MOS LSI DESIGN by J. Mavor £16.50

INTRODUCTION TO DIGITAL FILTERS by T. J. Terrell £7.50

INTRODUCING MICROPROCESSORS by I. R. Sinclair £6.50

ADVANCED GRAPHICS WITH THE SINCLAIR ZX SPECTRUM by I. O. Angell £10.95

LYNX COMPUTING by I. Sinclair £7.95

WORLD RADIO T.V. HANDBOOK by J. M. Frost £12.00

1983 THE RADIO AMATEUR'S HANDBOOK by A.R.R.L. £10.00

★ ALL PRICES INCLUDE POSTAGE ★

THE MODERN BOOK CO.

BRITAIN'S LARGEST STOCKIST
of British and American Technical Books.

**19-21 PRAED STREET
LONDON W2 1NP**

Phone 01-402 9176

Closed Saturday 1 p.m.

Please allow 14 days for reply or delivery

(2023)

CABLE TELEVISION

CABLETIME is a newly formed company involved in the manufacture and installation of cable television systems, based in pleasant offices in central Newbury, Berkshire.

To assist in this new venture Cabletime are looking for the following staff:

SENIOR PROGRAMMER

A Senior Programmer is needed to join the Cabletime team of highly qualified engineers, to design and develop new high and low level software, and support and extend existing software packages. A suitable candidate for this position would be qualified to degree level or equivalent, have at least 2 years' experience in the design and implementation of real-time systems (biased towards communications), using DEC hardware and software. Also experience of developing microprocessor software for Intel microprocessors, and fault-finding of microprocessor based systems would be useful.

DEVELOPMENT ENGINEER

A Development Engineer with experience in the field of television engineering is needed to design and develop electronic circuitry for the cable television industry. Experience of VHF/UHF techniques, and/or data communications would be a distinct advantage. A suitable candidate is likely to be a graduate, but this should not preclude anyone with a proven track record from applying.

If you are interested in an exciting career with this new venture then please write or telephone for an application form to:

**The Personnel Officer, Cabletime Ltd., 17 West Mills, Newbury, Berkshire.
Tel: Newbury (0635) 48222.**

A member of the UEI/Micro
Consultants Group.

(2144)

cabletime



Barcud is an independent television facilities company supplying outside broadcast and editing facilities and staff to television companies and producers from its base in Caernarfon. Because of recent and forthcoming expansion in its work and facilities, we now have a vacancy for an experienced

VISION AND VTR ENGINEER

The successful applicant will have experience of operating 1" VTR machines and familiarity with the Sony 5000 editing system would be an advantage. There will be opportunities to work on the company's single and multi-camera outside broadcast units and in the new editing suite.

Salary, according to experience and qualifications, based on a scale in excess of ACTT rates. The company offers a pension and a bonus scheme.

Please send cv and names of two referees to: **The Managing Director, Barcud Cyf, Cibyn, Caernarfon, Gwynedd by June 25th. Tel: (0286) 3459.**

(2151)

ARTICLES FOR SALE

INVERTERS

High-quality DC-AC; also "no break" (2ms) static switch, 19in. rack. Auto Charger.



COMPUTER POWER SYSTEMS -

**Interport Mains-Store Ltd.
POB 51, London, W11 3BZ**

Tel: 01-727 7042 or 0225 310916

(9101)

TEKTRONIX 500 Series Test Instruments - SC502 15Mhz dual trace oscilloscope, FG502 11Mhz function generator, SW503 400 MHz sweep generator, DC502 550Mhz frequency counter, TM515 portable mainframe, all little used, mint condition. Phone Wilkin, Cardiff 731228 evenings. (2132)



**24
COLUMN
PRINTER
ONLY
£69 EACH
(Inclusive)**

Standard 4-inch 3U mounting; inverted 4 double sized print; single 9V AC or 5V DC power supply; standard centronics interface or serial data; extends only 40mm behind panel.

For further details contact:
**Benwick Electronics
9 Doddington Road, Benwick
nr March, Cambs, PE15 0UX
Telephone: Benwick (035477) 471**

The VINTAGE WIRELESS COMPANY

NOSTALGIA-COLLECTING
1900-1950s
Publishers of The Antique Wireless Newsheet
(Sample on Request)



The complete service for the collector and enthusiast of Vintage Radio.
THE VINTAGE WIRELESS COMPANY
64 Broad Street, Staple Hill, Bristol BS16 5NL
Tel: Bristol (0272) 969472; 24-hour Antiquarian Closed Mondays

1977

Senior RF Engineer

The modern communications complex of Marconi Space and Defence Systems at Portsmouth requires an experienced professional Senior Engineer to develop new VHF/UHF receivers and micro processor based communications systems.

This involves directing the technical work of engineers in a project team who will be working on the design, development and evaluation of RF circuits.

Marconi
Space & Defence Systems

particularly power amplifiers at UHF and HF, high gain amplifiers, R.F. filters and Front End Receivers in VHF and UHF.

The essential qualifications are a degree in electronics, plus at least five years related experience.

We offer excellent salaries and conditions of employment.

Telephone or write for an application form, quoting Ref. BL 66 to Jack Burnie, Marconi Space and Defence Systems Limited, Browns Lane, The Airport, Portsmouth. Telephone Portsmouth 674019.



P.C.B.'s

Printed Circuit Boards to your specification from artwork through to finished board.

QUICK DELIVERY - COMPETITIVE PRICES

CROFTON ELECTRONICS LIMITED

35 Grosvenor Road, Twickenham, Middlesex
TEL. 01 891 1923/1513 Telex 295093

TW ELECTRONICS LTD THE PCB ASSEMBLERS

More and more companies are investigating the advantages of using a professional subcontractor. Such an undertaking requires certain assurances.

TW are able to satisfy all of them - quality, competitive pricing, firm delivery and close co-operation with the customer.

Assembled boards at 100% inspected before flow soldering and reinspected after automatic cropping and cleaning.

Every batch of completed boards is issued with a signed certificate of conformity and quality - our final assurance.

For further details, contact us at our new works:

Blenheim Industrial Park
Bury St. Edmunds
Suffolk IP33 3UT
Telephone: 0284 3931 (1466)

FREE PROTOTYPE of the finest quality with EVERY P.C.B. artwork designed by us. Competitive hourly rates, and high standard of work. Halstead Designs Limited. Tel: Halstead (0787) 477408. (2126)

BATCH PRODUCTION PC assembly to sample or drawings, any quantity. Stagecraft (Electronics) Ltd, 3, Churchfield Rd, Acton W3 6BH. Tel: (01) 993 3660. (2059)

BATCH PRODUCTION wiring and assembly to sample or drawings. McDeane Electricals Ltd, 19b Station Parade, Ealing Common, London W5. Tel: 01-992 8976. (169)

BUSINESS OPPORTUNITIES

EAST MIDLANDS ESTABLISHED RADIO COMMUNICATIONS BUSINESS FOR SALE as going concern

Home Office licensed. Business comprises large purpose-built radio control room, 140ft. high radio mast. Conveniently situated in town centre location adjoining car park. Existing base station users.

For full details contact:
Messrs. Kirk Ogden, Estate Agents, 23 High Street, March, Cambs PE15 9JA. Tel: March (03542) 3187. (2150)

ARTICLES FOR SALE

TO MANUFACTURERS, WHOLESALERS BULK BUYERS, ETC. LARGE QUANTITIES OF RADIO, TV AND ELECTRONIC COMPONENTS FOR DISPOSAL

SEMICONDUCTORS, all types, INTEGRATED CIRCUITS, TRANSISTORS, DIODES, RECTIFIERS, THYRISTORS, etc. RESISTORS, C/F, M/F, W/W, etc. CAPACITORS, SILVER MICA, POLYSTYRENE, C280, C296, DISC CERAMICS, PLATE CERAMICS, etc.

ELECTROLYTIC CONDENSERS, SPEAKERS, CONNECTING WIRE, CABLES, SCREENED WIRE, SCREWS, NUTS, CHOKES, TRANSFORMERS, etc.

ALL AT KNOCKOUT PRICES - Come and pay us a visit ALADDIN'S CAVE

TELEPHONE: 445 0749/445 2713

BROADFIELDS & MAYCO DISPOSALS
21 Lodge Lane, North Finchley, London, N.12
(15 minutes from Tally Ho Corner) (1613)

RACAL COMMUNICATION RECEIVERS

500Kc/s to 30Mc/s IN 30 BANDS 1Mc/s WIDE - RA17 MK11 - £100 - RA17L - £150 - RA17E - £225. NEW METAL LOUVERED CASES FOR ABOVE £25 EACH. ALL RECEIVERS ARE AIR TESTED AND CALIBRATED IN OUR WORKSHOP SUPPLIED WITH MANUAL AND DUST COVER IN FAIR USED CONDITION. RACAL SYNTHESISERS (DECADE FREQUENCY GENERATOR) MA3500 - SOLID STATE FOR USE WITH MA79 - RA17/ RA217 - RA217, ETC. £100 to £150 - MA250 - 10Mc/s TO 31.8Mc/s £100 to £150 - MA2500 - PRECISION FREQUENCY STANDARD - 5Mc/s - 100KHz - £100 to £150. EDDYSTONE RECEIVER TYPE EC8647K - SOLID STATE SINGLE CHANNEL - SSB - MAINS OR BATTERY POWERED - 8 to 27.5Mc/s AND 400 - 55KHz - £100 WITH MANUAL. REDIFON SSB RECEIVER TYPE RA59 - SOLID STATE - 10 FIXED CHANNELS - RANGE 1.5 to 30Mc/s AND 25KHz TO 525KHz - POWER MAINS OR BATTERY - COMPLETE WITH SSB ADAPTOR ARIJ10A - £100 WITH MANUAL. REDIFON TT10 OR TT11 AUDIO TELEPRINTER CONVERTER - SOLID STATE TESTED WITH CIRCUIT - £25. CREED TYPE 75 TELEPRINTER - 50 AND 75 BAUDS FOR USE WITH ABOVE CONVERTER - £25.

OSCILLOSCOPES

CT436 DUAL BEAM OSCILLOSCOPES - 6Mc/s - £45
TEKTRONIX 4A7A - 10Mc/s - DUAL TRACE - SOLID STATE £250 WITH MANUAL - MARCONI TP995 SIGNAL GENERATORS FROM 2Mc/s OR 1.5Mc/s TO 220Mc/s AM - FM A2M. £80 - A3 £80 - A5 £150 - WITH MANUALS TP2600 DIFFERENTIAL DC VOLT METER - 0 TO 1100 volts - £100 TP2002 AM SIGNAL GENERATOR - 10Kc/s TO 72Mc/s - £300 TP2002AS - FM AND AM SIGNAL GENERATOR - 10Kc/s TO 72Mc/s - £500 TP21700 DIGITAL SYNCHRONIZER FOR ABOVE - £350 TP1068 6 - FM AM SIGNAL GENERATOR - 10Mc/s TO 470Mc/s - £300 TP1245 CIRCUIT MAGNIFICATION METER AND TP1245 OSCILLATOR - £200. N.P. SIGNAL GENERATORS - £200 - 7 TO 11.6165 - £150 608 - 10 - 420Mc/s £70 612A - 450 - 1200Mc/s - £200 MARCONI AF WATT METER CT44 N01 ABSORPTION - 200 MICROWATTS TO 6 WATTS - IN 10 RANGES SWITCHED - 2150 Ohms - £45. TP83A - AF WATT METER - 1 MILLIWATT TO 10 WATTS - 25 Ohms TO 20K Ohms IN 40 STEPS - £55 THYRISTOR TEST SET - CT558 - VOLTAGES UP TO 2KV - £100 TEKTRONIX 402A GRAPHIC COMPUTER TERMINAL WITH JOYSTICK - £400 TEKTRONIX 4601 - HARD COPY UNIT FOR USE WITH ABOVE - £150 - BOTH UNITS FOR - £500 RACAL DIGITAL COUNTERS. TYPE 801M - 125Mc/s - £50 RACAL E36 COUNTER - 35Mc/s - £50

V.A.T. AND CARRIAGE ON ABOVE ITEMS EXTRA

ALL ITEMS ARE BOUGHT DIRECT FROM H.M. GOVERNMENT. BEING SURPLUS EQUIPMENT. PRICE IS EX WORKS S.A.E. FOR ALL ENQUIRIES. PHONE FOR APPOINTMENT FOR DEMONSTRATION OF ANY ITEM.

JOHN'S RADIO
WHITEHALL WORKS, 84 WHITEHALL ROAD EAST
BIRKENSHAW, BRADFORD BD11 2ER
TEL: (0274) 684007

WANTED: REDUNDANT TEST EQUIPMENT - RECEIVING AND TRANSMITTING EQUIPMENT - VALVES PLUGS AND SOCKETS - SYNCHROS, ETC. (648)

Shortlist secondhand books for sale. Radio, Telegraphy, etcetera. State interest. S.A.E. Gosling Books, 19 Moorside Road, Westmoors, Dorset. 2161

LAMPS AND CABLE. Large amount of lamps and cable for sale - all types and sizes, domestic and industrial. Telephone: MIRAGE LIGHTING on HITCHIN (0462) 733388 between 10am-7pm. (1809)

EURO CONNECTORS, din 41612, 2x32 st pin socket, £2.20. 2x32 ang. pin plug, £2.20. 3x32 ST pin socket, £2.50. 3x32 ang. pin plug, £2.50. 9v high euraoracks with divisions, £25. 1/4 wt. piher metal film resistors. Popular valves, £4.80 per thousand (s.a.e. for list). MJ 3000 Darlington transistors, 90p. 1,000 metres of 25-core, individually screened cable (50 OHM). Offers over £500. Photographic and Optical Services Ltd., 129-137 Stanley Road, Teddington, Middx. Tel: 977 3498. (2147)

BRIDGES, waveform/transistor analysers. Calibrators, Standards. Millivoltmeters. Dynamometers. KW meters. Oscilloscopes. Recorders. Signal generators - sweep, low distortion, true RMS, audio, FM, deviation. Tel. 040 376236.

WAVEGUIDE, Flanges and Dishes. All standard sizes and alloys (new material only) from stock. Special sizes to order. Call Earth Stations, 01-228 7876, 22 Howie Street, London SW11 4AR. (2099)

HEWLETT PACKARD computer HP 9826A, 64K, as new, current '200' series 16 bit GPIB controller, BASIC 2.0, disc drive, full documentation, test discs, including A.C. circuit analysis disc. Save £2K. Price £5,500. HP 7225A digital vector plotter. GPIB, fully equipped £1,000. 01-794 2839. (2163)

Technical library, several thousand books, electronic, physics, medicine, chemistry, engineering, photographic, maths, geology, geography, etc. Six-inch, very heavy duty vice, £35. Large quantity tape recorder spares, mainly Ferragraph, EMI, etc. £100. Twenty million megohmmeter, £39. Calorimeter, £30. Dynatron pulse height analyser, £35. True RMS millivoltmeter 300mV-300V FSD, 10 KHz, £45. Vibration analyser, £60. Pattern generator, £39. Polaroid back, £15. SLR photographic equipment and lenses, various. Melting point apparatus, £25. Multiway flat cable strip/connector, £25. Wayne-Kerr short duration pulse generator, £45. Wow/flutter meter, £75. Crompton kilowatt meter, two scales, max 6kW. Slotted line 4Gc/s, £35. Wayne-Kerr S-band generator, £45. Many other items.

040 376236

(2016)

TEKTRONIX TYPE 525 TV waveform monitor. Philips mobile rack mounted modular solid state decoder. PAL/NTSC switchable, colour. Large quantity cables, couplings for outside broadcast TV. All above little used and in good condition. Sensible offers please to: Harrogate (0423) 521600 or write Ford, 72 Harcourt Drive, Harrogate, North Yorks. (2164)

Crotech Oscilloscopes Nationwide availability local to You

London & Home Counties

Audio Electronics	London W2	01-724-3564
Carston Electronics	London N1	01-267-5311
Kentwood Electronics	Reading	0734-698040
Precision Instrument Laboratories	London SE15	01-639-4461

Wales & West

Glevum Instruments	Gloucester	0452-31620
--------------------	------------	------------

East Anglia

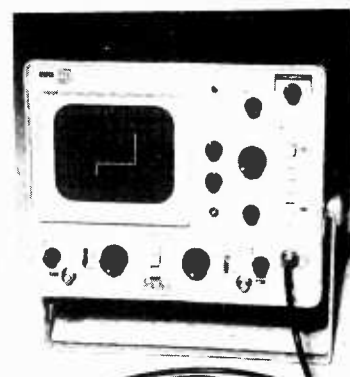
Electronic & Computer Workshop	Chelmsford	0245-62149
Maplin Electronics	Rayleigh	0702-552911
Ambit International	Brentwood	0277-230909

Midlands & North

Northern Instruments	Leeds	0532-791054
Universal Instruments	Leire (Leics)	0455-202391
Electronic Measurement Services	Manchester	061-273-4653
Radio Telephone Service	Derby	0332-41235

Scotland

RMR Measurements	Inverness	0463-220533
------------------	-----------	-------------



Crotech Instruments Limited

5 Nimrod Way · Elgar Road · Reading · Berkshire · RG2 0EB
Telephone: (0734) 866945 Telex: 847073 POWLIN G

WW - 023 FOR FURTHER DETAILS

INDEX TO ADVERTISERS

Appointments Vacant Advertisements appear on pages 93-103

PAGE	PAGE	PAGE			
Aero Electronics (AEL) Ltd.....	92	Harris Electronics (London).....	13	Radford Audio Ltd.....	77
AFDEC Electronics Ltd.....	80	Harrison Bros. Electronic Distributors.....	9	Radio Component Specialists.....	85
Ambit International.....	77	Hart Electronic Kits Ltd.....	92	Ralfe, P.F. Electronics.....	90
Anders Electronics Ltd.....	79	Hemmings Electronics and Microcomputers.....	84	Research Communications.....	4
Armon Electronics Ltd.....	8	Henry's Computer Shop.....	7	Richardson Electronics (Europe) Ltd.....	75
Audio Electronics (Cubegate Ltd).....	17	HW International.....	20	RST Valves.....	87
Avel Lindburg (Cotswold).....	17				
Bamber, B. Electronics.....	88	ILP Electronics Ltd.....	10, 11, 83	Sagin, M.R.....	17
Barrie Electronics Ltd.....	89	Integrex Ltd.....	16	Sandwell Plant Ltd.....	84
Black Star Ltd.....	77			South Midlands Communications Ltd.....	14
Broadfield and Mayco Disposals.....	77			Sowter, E.A. Ltd.....	14
				Special Products Distributors Ltd.....	9
				Steven Greaves Photography Ltd.....	84
Cambridge Kits.....	6	Keithley Instruments Ltd.....	13	Stewart of Reading.....	84
CIL Microsystems Ltd.....	82	Kirk Ogden.....	4	Surrey Electronics Ltd.....	88
Circuit Services.....	8				
Clef Products (Electronic Ltd).....	14	Langrex Supplies Ltd.....	87		
Control Universal Ltd.....	Cover IV				
Crimson Elektrik.....	89	Magenta Electronics Ltd.....	6	Technomatic Ltd.....	18, 19
Crotech Instruments Ltd.....	104	Microwave Modules.....	82, 88	Thanet Electronics.....	82
		Midwich Computer Co Ltd.....	9	Thorn EMI Instruments.....	Loose Insert
Display Electronics.....	91			Thurby Electronics (Reltech).....	83
				Time Base.....	92
Easibind.....	6	Nova Products (APB) Ltd.....	90	Time Electronics.....	90
Electrical Review Shock Cards.....	86				
Electronic Brokers Ltd.....	2, 3, 5, 7	Olson Electronics Ltd.....	12		
Electrovalve Ltd.....	7	Opus Supplies.....	79	Valradio Ltd.....	13
ELE International.....	16	Orion Scientific Products Ltd.....	90	Vigilant Communications Ltd.....	6
Essex Electronics Centre.....	12				
Fieldtech Heathrow Ltd.....	4, 20, 75	Pantechnic.....	79	Wireless World Circards.....	78
Fylde Electronic Laboratories Ltd.....	20	PM Components.....	80, 81	Wireless World Competition.....	76
		P&R Computer Shop.....	14		
Global Specialities Corporation (UK) Ltd.....	15				
GP Industrial Electronics Ltd.....	Cover II, Cover III				
Griftronic Emission Ltd.....	88				

OVERSEAS ADVERTISEMENT AGENTS

France & Belgium: Norbert Hellin, 50 Rue de Chemin Veat, F-9100, Boulogne, Paris.

Hungary: Ms Edit, Bajusz, Hungexpo Advertising Agency, Budapest XIV, Varosliget.
Telephone: 225 008 - Telex: Budapest 22-4525
INTFOIRE

Italy: Sig C. Epis, Etas-Kompass, S.p.a. - Servizio Estero, Via Mantegna 6, 20154 Milan.
Telephone: 347051 - Telex: 37342 Kompass.

Japan: Mr. Inatsuki, Trade Media - IBPA (Japan), B.212, Azabu Heights, 1-5-10 Roppongi, Minato-ku, Tokyo 106.
Telephone: (03) 585 0581.

United States of America: Ray Barnes, Business Press International Ltd, 205 East 42nd Street, New York, NY 10017 -
Telephone (212) 867-2080 - Telex: 238327.

Jack Farley Jr., The Farley Co., Suite 1584, 35 East Walker Drive, Chicago, Illinois 60601 - Telephone (312) 63074.
Victor A. Jauch, Eimatex International, P.O. Box 34607, Los Angeles, Calif. 90034, USA - Telephone (213) 821-8581 -
Telex: 18-1059.

Jack Mantel, The Farley Co., Suite 650, Ranna Building, Cleveland, Ohio 44115 - Telephone (216) 621 1919.
Ray Rickles, Ray Rickles & Co., P.O. Box 2028, Miami Beach, Florida 33140 - Telephone (305) 532 7301.
Tim Parks, Ray Rickles & Co., 3116 Maple Drive N.E., Atlanta, Georgia 30305. Telephone (404) 237 7432.
Mike Loughlin Business Press International, 15055, Memorial Ste 119, Houston, Texas 77079 - Telephone (713) 783 8673.

Canada: Colin H. MacCulloch, International Advertising Consultants Ltd., 915 Carlton Tower, 2 Carlton Street, Toronto 2 - Telephone (416) 364 2269.
* Also subscription agents.

Printed in Great Britain by QB Ltd, Sheepen Place, Colchester, for the proprietors, Business Press International Ltd, Quadrant House, The Quadrant, Sutton, Surrey SM2 5AS.
© Business Press International Ltd 1983. *Wireless World* can be obtained abroad from the following: AUSTRALIA and NEW ZEALAND: Gordon & Gotch Ltd. INDIA: A. H. Wheeler & Co. CANADA: The Wm. Dawson Subscription Services Ltd; Gordon & Gotch Ltd. SOUTH AFRICA: Central News Agency Ltd; William Dawson & Son (SA) Ltd.
UNITED STATES: Eastern News Distribution Inc., 14th Floor, 111 Eighth Avenue, New York, NY 10011.

P8000 – THE PRODUCTION PROGRAMMER THAT HANDLES ALL NMOS EPROMS



**NEW
PRODUCT**

- Checks, Programs, Compares up to 8 devices simultaneously
- Handles all NMOS EPROMS up to projected 128K designs with no personality modules or characterisers – See list
- Easy to use, menu driven operation for blankcheck, program, verify, illegal bit check, checksum, self-test
- Constant display of device type, mode and fault codings
- Individual socket LED indicators for EPROM status
- Comprehensive EPROM integrity checks – Illegal bit check, data and address shorts, constant power line monitoring
- Full safeguard protection on all sockets
- Automatic machine self-test routine
- RS232C interface supplied as standard
- Powered down sockets
- Cost effective price – £695 + VAT
- Available from stock

Write or phone for more details

2704
2708
2716(3)
2508
2758A
2758B
2516
2716
48016
2532
2732
2732A
68732-0
68732-1
68766
68764
2764
2564
MK2764
25128
27128

DISTRIBUTORS REQUIRED

EXPORT ENQUIRIES WELCOME

GP Industrial Electronics Ltd.

Tel: Plymouth (0752) 332961
Telex: 42513

Unit E, Huxley Close, Newnham Industrial Estate, Plymouth PL7 4JN

CUBE-Universal Control by Eurocomputer

CUBE is **THE** comprehensive Eurocard Computer system. Over the past two years, many of Britain's top industrial companies have been quietly and efficiently using CUBE modules in their small-scale computer control projects.

The range exceeds 30 master Eurocards, extended by almost limitless permutations. Now with the powerful new EURO-CUBE, a single board computer which is a system in itself, the range is complete. All these robust, sensible products are very low-priced—the EURO-CUBE, for example, is just over £100.

The fundamental choice is between 6502 and 6809 microprocessors and the newly-available 68000. Each choice is fully supported with efficient assembly language development tools, and with high-level languages for really quick programming. The range is extended by a continuing programme of industrial computer development, and by compatibility with Acorn Eurocards. Similarly, the CUBE cards can be used as extensions to the BBC computer.

The Cube Systems

All CUBE systems are delivered to the customer configured to his exact requirements, and tested in that arrangement. An appropriate text editor, machine code assembler and high level language are included with each system, as our experience has shown that most applications demand these tools, and the CUBE systems offer just about the most cost effective development station available.

The Software Products

Each of the three processor options 6502, 6809 and 68000 have associated machine operating systems, disk operating systems, and machine code assemblers.

On 6502, the user has a choice of a 10k version of ROM or disk BASIC with built-in screen graphics commands, or

a 12k version called ICOL which provides real time control of inputs, outputs and timers.

On 6809, the disk operating system offered is FLEX, under which a wide variety of languages may be used, such as Pascal, BASIC, and PL/9. The advantage of PL/9 is that while it is similar to BASIC in ease of use and quickness of implementation, the final program is compiled, and therefore is much faster in operation than interpretive BASIC, and does not require the purchase of an interpreter for each implementation. A 2k version of tiny BASIC on ROM is also available.

BASIC is available on 68000.

The Hardware Products

EURO-CUBE. The complete system on one small card. Available with either 6809 or 6502, and supplied complete with two channels of serial i/o, 20 channels of digital i/o, four memory sockets, each of which can take up to 32KB of ROM, EPROM or RAM, and a battery back-up circuit which provides non-volatility for CMOS RAM.

FORCE PROFIT II. 68000 single board computer with 128kb of DRAM, 2 serial and 2 digital ports, and 2 user EPROM sockets.

CU-MEM. Universal Memory Carrier board for ROM, EPROM and RAM up to 8KB per device, with 2 banks of four 28 pin memory sockets and battery back-up circuit for CMOS RAM.

CU-DRAM. 64kb of DRAM Plus 16kb ROM/EPROM socket.

CU-KEY. Standard QWERTY layout keyboard, or non-staggered arrangement of 5x5 or 5x12 keys.

CU-GRAPH. High resolution VDU card for programmable text layout of up to 85 columns x 32 rows, mixed with graphics of 512x256 pixels. Uses independent memory from microprocessor, and colour extension allows eight logical colours with no loss of resolution.

CU-MOT. 6802 single board computer for study purposes, without machine or disk operating systems, or languages support.

CU-PROM. EPROM programming unit for EPROMs up to 32KB (eg 27256)

CU-CLOCK. Real time calendar clock, with battery back-up and watchdog circuit.

CUPS. Range of power supplies for CUBE system.

CU-STOR. Single and double density floppy disk controller.

INDIO. Industrial heavy duty input/output system.

RACKPRINT. Panel mounted impact printer.

VIEWLINE. Single line display module.

CU-BAN. Analog interface with choice of 8 bit or 12 bit conversion.

ROMULATOR. Development tool for simulating ROM based programs in target systems.

SERIO. 2 or 4 channel serial interface.

BEEBEX. Allows use of BBC computer with CUBE peripherals.

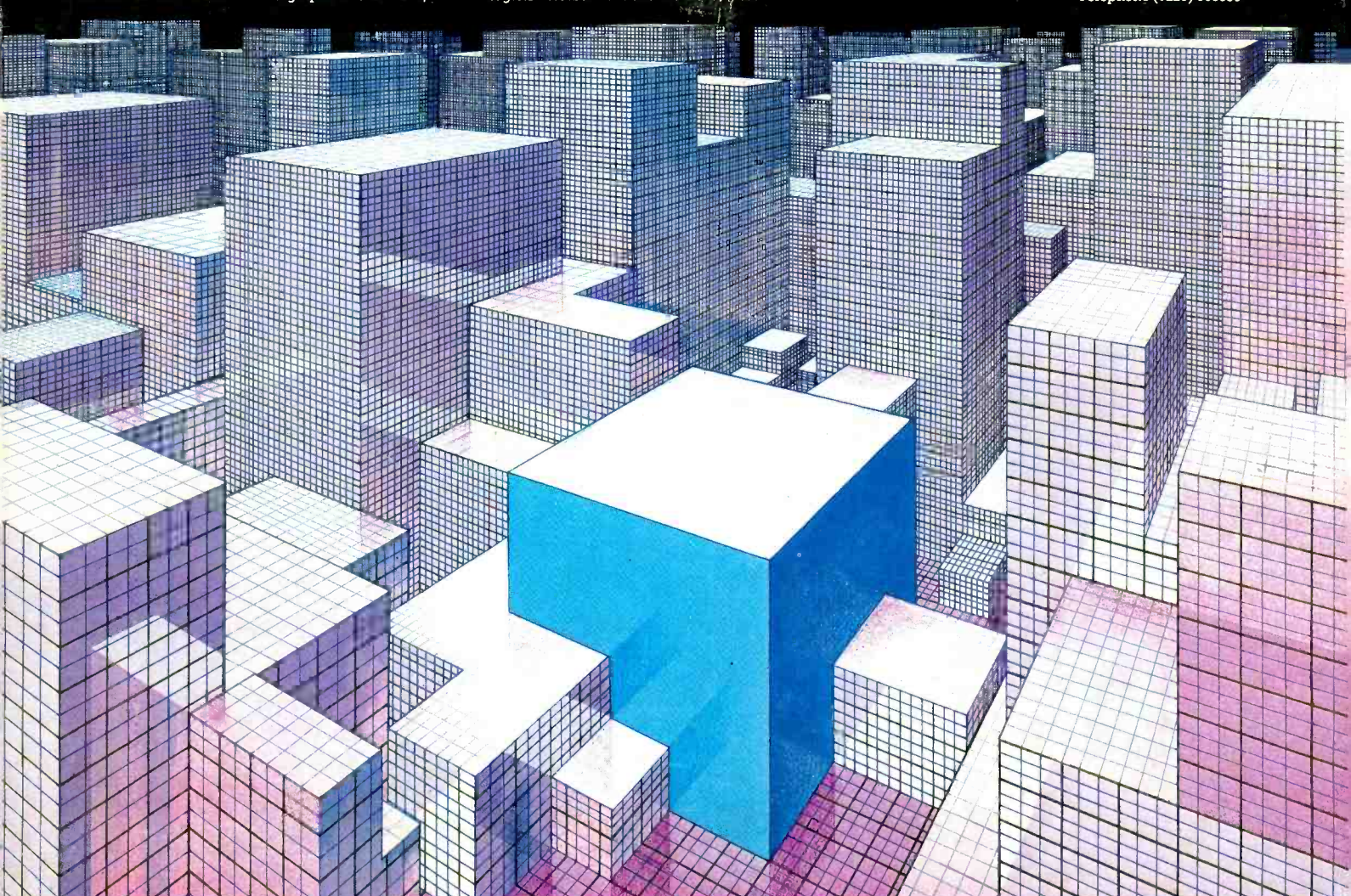
Compact, superbly-capable and incredibly economical, Control Universal's cards are the best deal around in industrial control intelligence.

Find out more by ringing one of our engineers or sending for our new catalogue, 150 pages of detailed product information. It's absolutely free!



Control Universal Ltd
The Hardware House

Unit 2 Andersons Court,
Newnham Road, Cambridge CB3 9EZ
Telephone (0223) 358757



WW-002 FOR FURTHER DETAILS